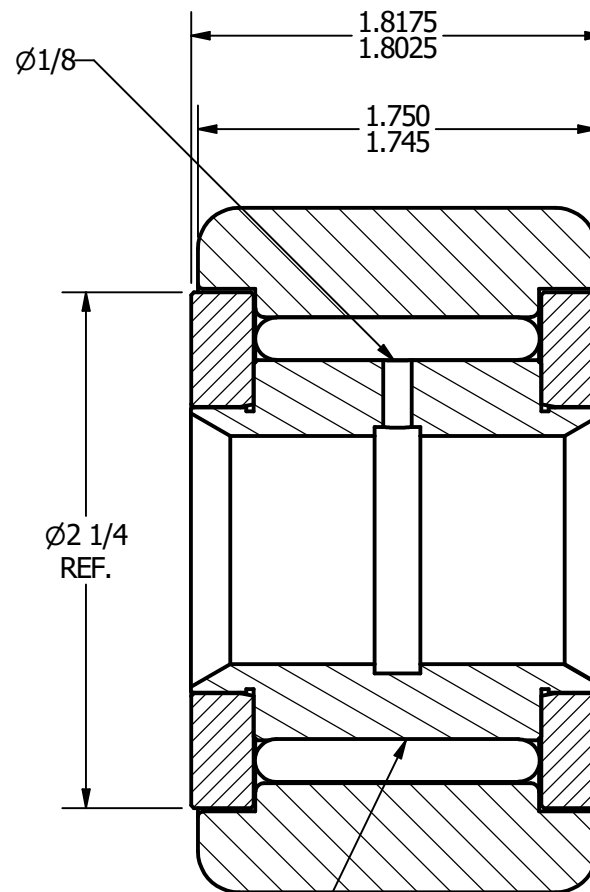
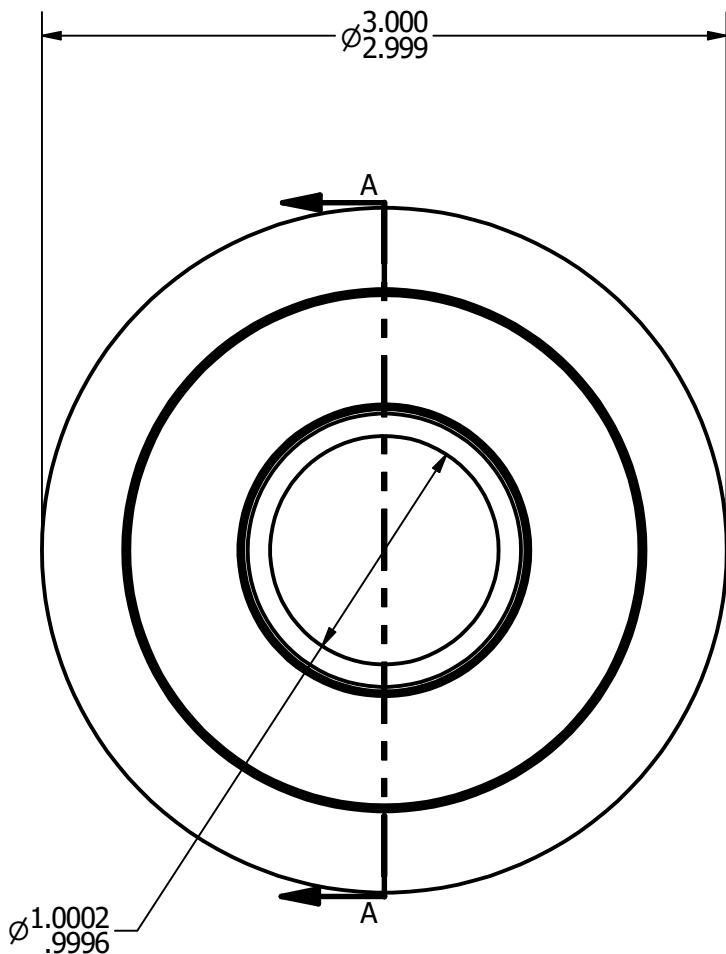
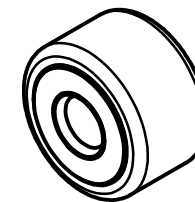


- NOTES:**
 1. BEARING IS PACKED WITH GREASE
 2. ALL EXPOSED SURFACES ARE BLACK OXIDED



RADIAL BASIC DYNAMIC RATING (POUNDS) 15,720

MAXIMUM STATIC CAPACITY (POUNDS) 49,820

MATERIAL NOTES:

- OUTER - BEARING STEEL, HEAT TREATED**
STUD - BEARING STEEL, ZONE HARDENED
NEEDLE - BEARING STEEL, HEAT TREATED
WASHER - COLD ROLLED STEEL, HEAT TREATED

CUSTOMER PART#

.XX = ± .01
 .XXX = ± .005
 .XXXX = ± .0005
 ANGLES = ± 1'
 INCH [METRIC]

CARTER MANUFACTURING IS NOT RESPONSIBLE FOR TYPOGRAPHICAL ERRORS

CARTER MANUFACTURING CO., INC.

GRAND HAVEN, MICHIGAN 49417

REVISION

PART NAME: ASSEMBLY

SHEET 1 OF 2

CHANGE NOTE:

REVISION	AUTHOR. BY	DRAWN BY	CHK'D BY	SALES	MATERIAL
A	JGV	JAF	JGV	KPR	NOTED
REV. BY	DATE	DATE	DATE	DATE	DRAWING NO.
JAF	8/4/2006	8/4/2006	8/4/2006	8/3/2006	YNB-96