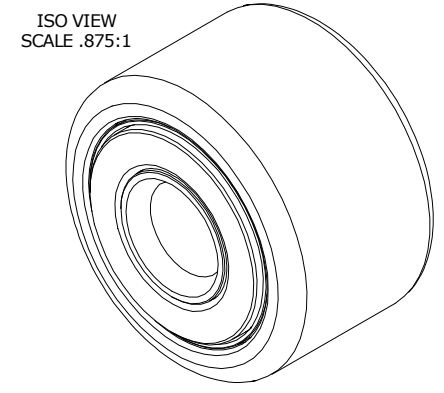
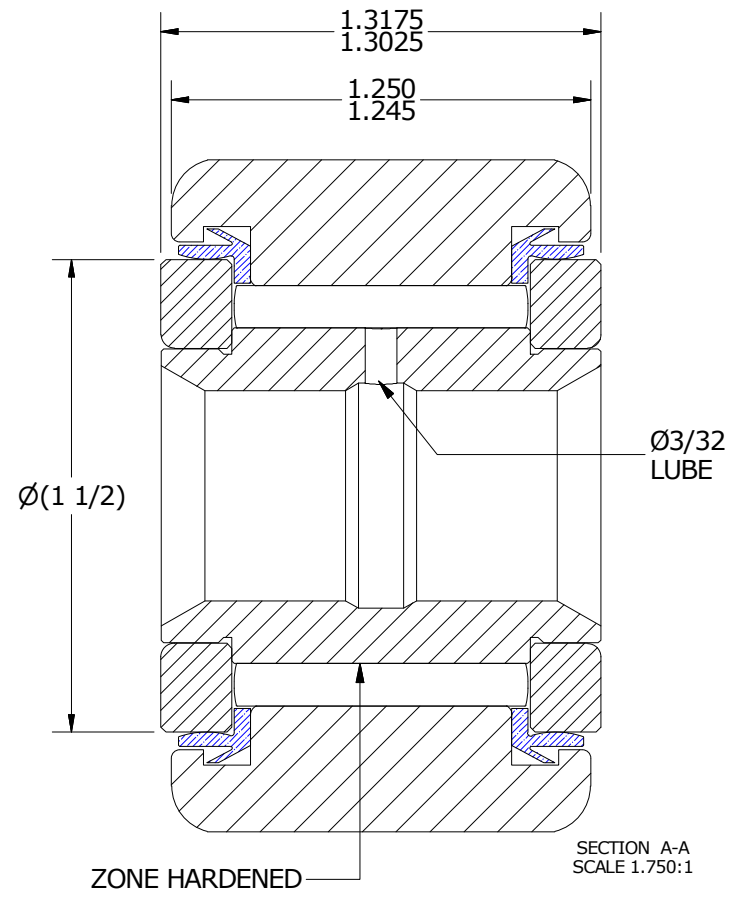
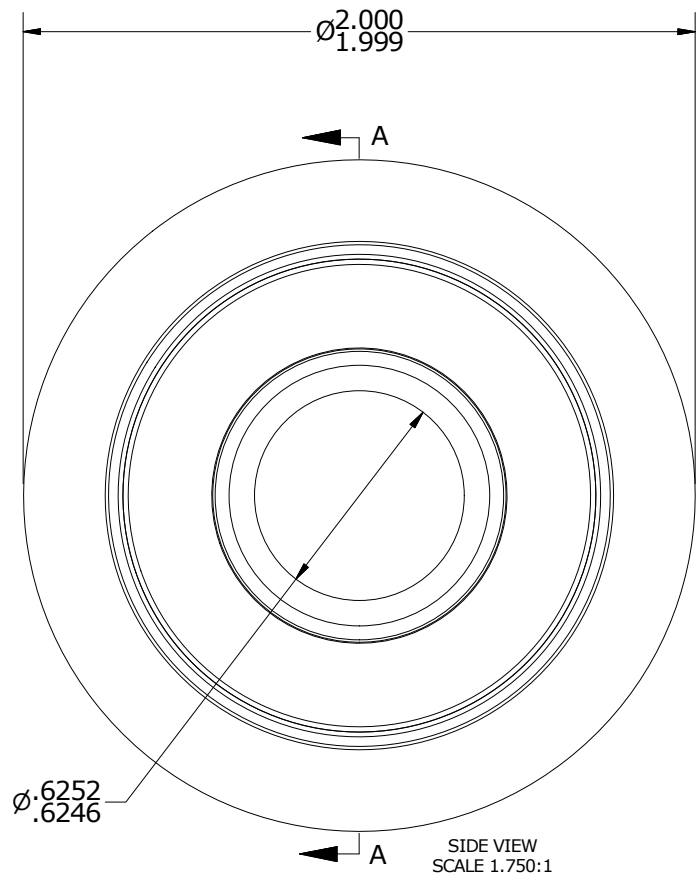


LOAD RATINGS		
RATING	lbf	Newtons
RADIAL BASIC DYNAMIC	8,090	35,986
MAXIMUM STATIC CAPACITY	21,140	94,035

MS NO. _____ NSN NO. _____ DRAWING NO. YNB-64-S



- NOTES:
- BEARING IS PACKED WITH NLGI GRADE 2, LITHIUM BASED GREASE (UNLESS OTHERWISE SPECIFIED)
 - ALL EXPOSED SURFACES HAVE BLACK OXIDE
 - LIMITING SPEED:
 - GREASE = 1,400 RPM



Recommended Shaft Fits		
Fit Type - Dimension	Ø (Inch)	Ø (mm)
Push - Max	.6247	15.6874
Push - Min	.6243	15.8572
Drive - Max	.6253	15.8826
Drive - Min	.6249	15.8725
Press - Max	.6257	15.8928
Press - Min	.6253	15.8826

MATERIAL NOTES:

OUTER RING- BEARING STEEL, HEAT TREATED
 INNER RING- BEARING STEEL, ZONE HARDENED
 NEEDLE ROLLER(S) - BEARING STEEL, HEAT TREATED
 WASHER(S) - BEARING STEEL, HEAT TREATED
 SEAL(S) - SYNTHETIC

CUSTOMER PART#	XX = ± .01 XXX = ± .005 XXXX = ± .0005 ANGLES = ± 1' INCH [METRIC] FRACTION = ± 1/32
ENGINEERING CHANGE ORDER NOTE	

CARTER MANUFACTURING IS NOT RESPONSIBLE FOR TYPOGRAPHICAL ERRORS	
REVISION	
B	AUTHOR BY HG
REVISION BY JLB	DATE 7/12/2018

CARTER MANUFACTURING CO., INC. GRAND HAVEN, MICHIGAN 49417				PART NAME: ASSEMBLY		PRODUCT TYPE: CNB/YNB	
DRAWN BY GJP	CHK'D BY SGW	SALES KR	MATERIAL NOTED	DATE 11/17/1999	DATE 7/12/2018	DATE 7/12/2018	SHEET 1 OF 2