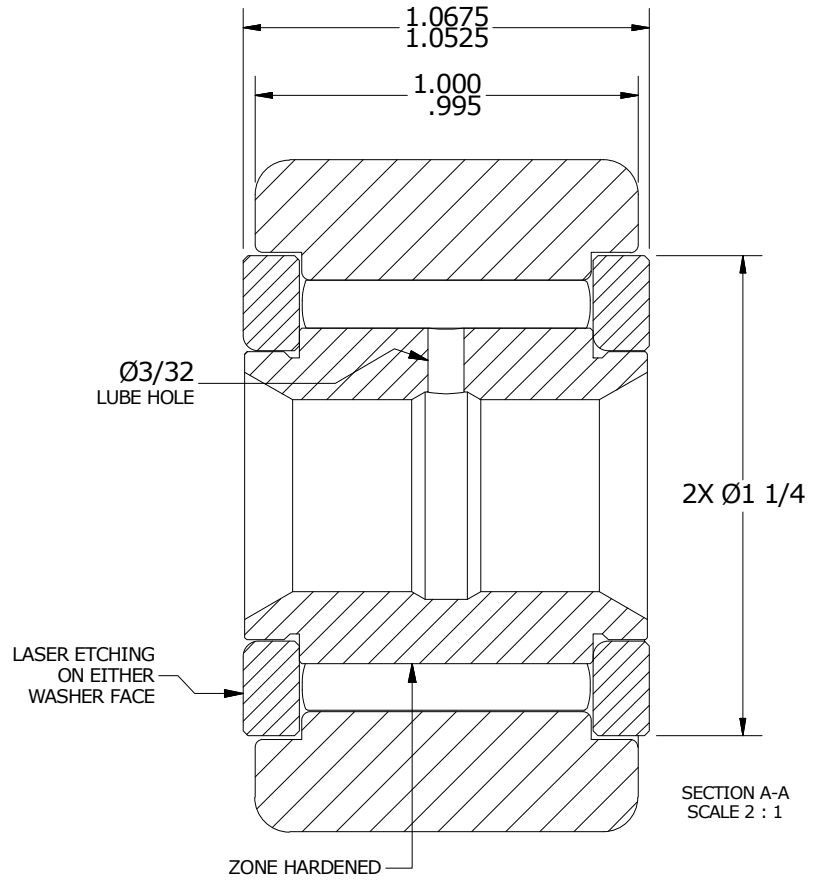
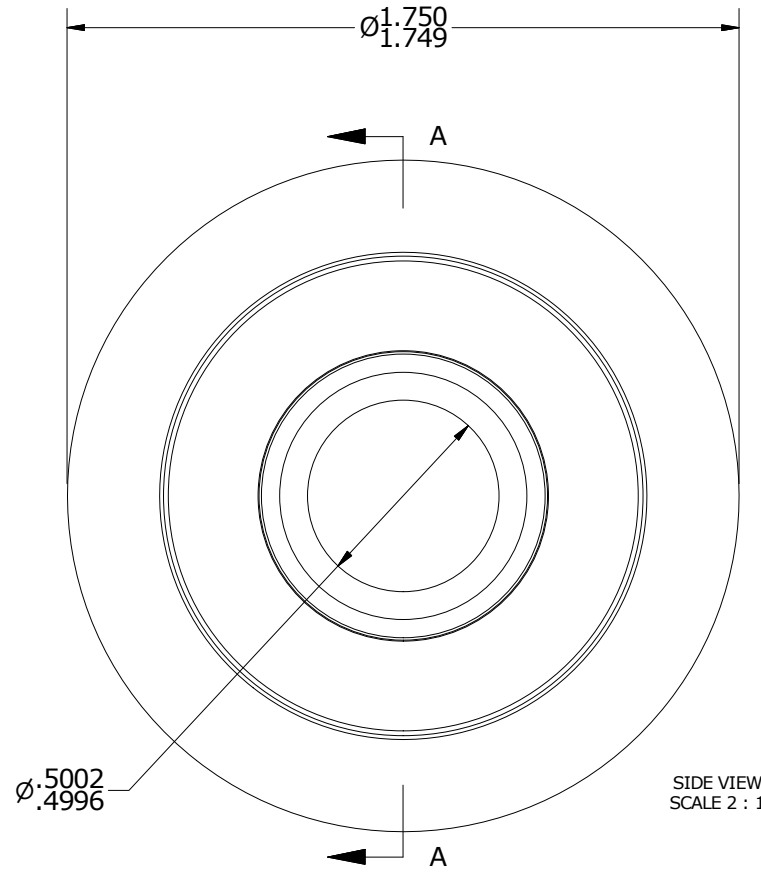
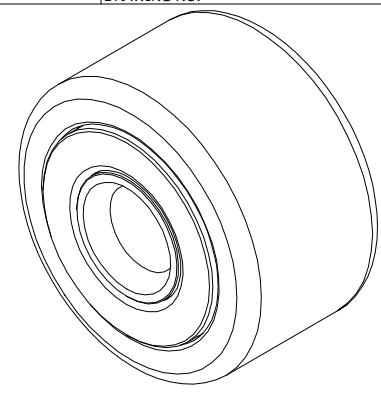


LOAD RATINGS		
RATING	lbf	Newtons
RADIAL BASIC DYNAMIC	6,385	28,402
MAXIMUM STATIC CAPACITY	15,840	74,460

MS NO. \_\_\_\_\_ NSN NO. \_\_\_\_\_ DRAWING NO. **YNB-56**

- NOTES:
1. BEARING IS PACKED WITH NLGI GRADE 2, LITHIUM BASED GREASE (UNLESS OTHERWISE SPECIFIED)
  2. ALL EXPOSED SURFACES AS MOUNTED HAVE BLACK OXIDE
  3. LIMITING SPEED:  
A. GREASE = 2,200 RPM
  4. CUSTOM LASER ETCHING UPON REQUEST

ISO VIEW  
SCALE 1 : 1



Recommended Shaft Fits		
Fit Type - Dimension	Ø (Inch)	Ø (mm)
Push - Max	.4997	12.6924
Push - Min	.4993	12.6822
Drive - Max	.5003	12.7076
Drive - Min	.4999	12.6975
Press - Max	.5007	12.7178
Press - Min	.5003	12.7076

MATERIAL NOTES:  
 OUTER RING- BEARING STEEL, HEAT TREATED  
 INNER RING- BEARING STEEL, ZONE HARDENED  
 NEEDLE ROLLER(S) - BEARING STEEL, HEAT TREATED  
 WASHER(S) - BEARING STEEL, HEAT TREATED

CUSTOMER PART# \_\_\_\_\_  
 ENGINEERING CHANGE ORDER NOTE \_\_\_\_\_

XX = ± .01  
 XXX = ± .005  
 XXXX = ± .0005  
 ANGLES = ± 1'  
 INCH [METRIC]  
 FRACTION = ± 1/32

CARTER MANUFACTURING IS NOT RESPONSIBLE FOR TYPOGRAPHICAL ERRORS

**CARTER MANUFACTURING CO., INC.**  
 GRAND HAVEN, MICHIGAN 49417

REVISION		PART NAME: ASSEMBLY			PRODUCT TYPE: YNB	
<b>B</b>	AUTHOR BY HG	DRAWN BY EMD	CHK'D BY MD	SALES NSC	MATERIAL NOTED	
REVISION BY SGW	DATE 1/16/2019	DATE 8/4/2006	DATE 1/16/2019	DATE 1/17/2019	SHEET 1 OF 2	