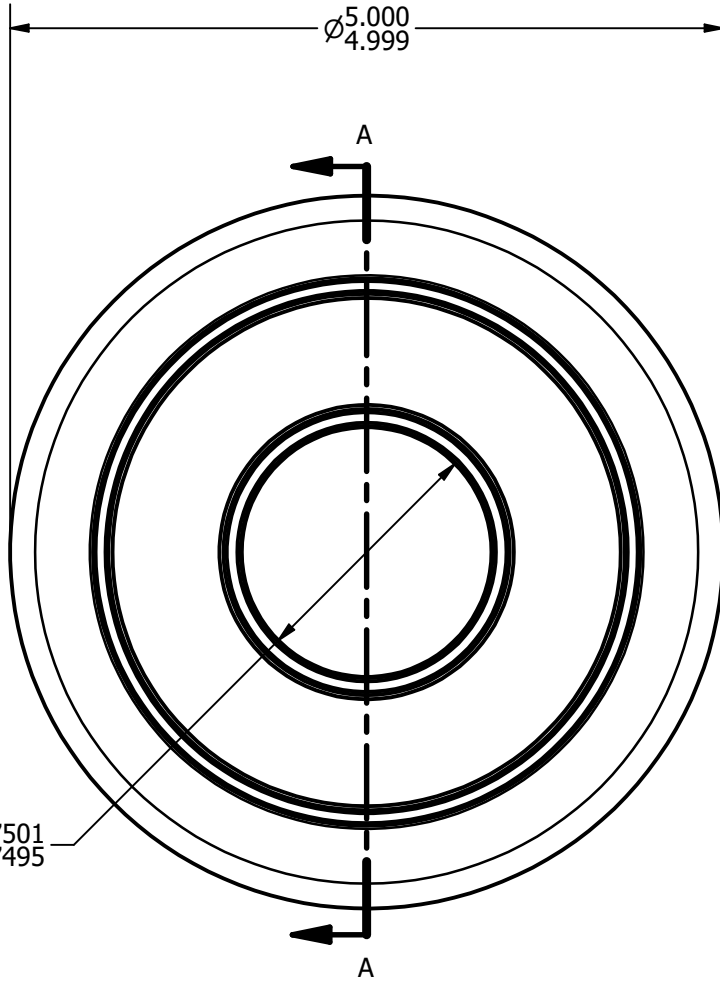
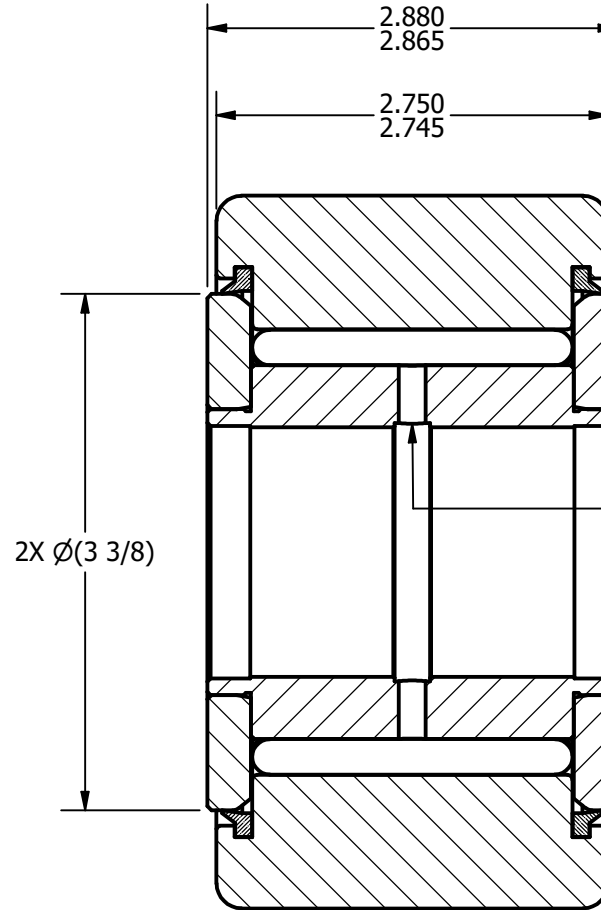


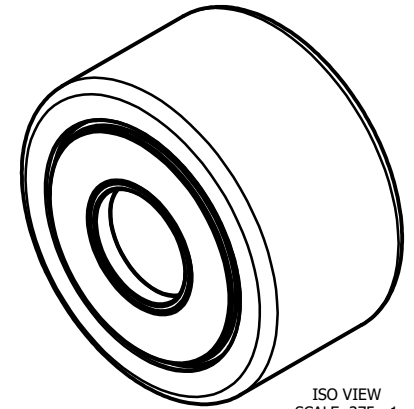
LOAD RATINGS		NOTES: 1. BEARING IS PACKED WITH LITHIUM BASED #2 WEIGHT GREASE 2. ALL EXPOSED SURFACES HAVE BLACK OXIDE	MS NO.	WSN NO.	DRAWING NO. YNB-160-S
RATING	Lbs				
RADIAL BASIC DYNAMIC	46,575				
MAXIMUM STATIC CAPACITY	135,900				



BASE VIEW
SCALE .75 : 1



SECTION A-A
SCALE .75 : 1



ISO VIEW
SCALE .375 : 1

2X Ø3/16
THRU
TO BORE

MATERIAL NOTES:

OUTER RACE - BEARING STEEL, HEAT TREATED
STUD - BEARING STEEL, HEAT TREATED
NEEDLE ROLLERS - BEARING STEEL, HEAT TREATED
WASHERS - COLD ROLLED STEEL, HEAT TREATED
SEALS - SYNTHETIC

CUSTOMER PART#

.XX = ± .01
.XXX = ± .005
.XXXX = ± .0005
ANGLES = ± 1'
INCH [METRIC]
FRACTION = ± 1/32

CHANGE NOTE:

CARTER MANUFACTURING IS NOT RESPONSIBLE FOR TYPOGRAPHICAL ERRORS

CARTER MANUFACTURING CO., INC.

GRAND HAVEN, MICHIGAN 49417

REVISION

PART NAME: **ASSEMBLY**

SHEET 1 OF 2

REV. BY	AUTHOR. BY	DRAWN BY	CHK'D BY	SALES	MATERIAL
B	DB	RAM	SGW	KR	NOTED
REV. BY	DATE	DATE	DATE	DATE	DRAWING NO.
MD	8/3/2011	4/13/2000	8/3/2011	8/3/2011	YNB-160-S