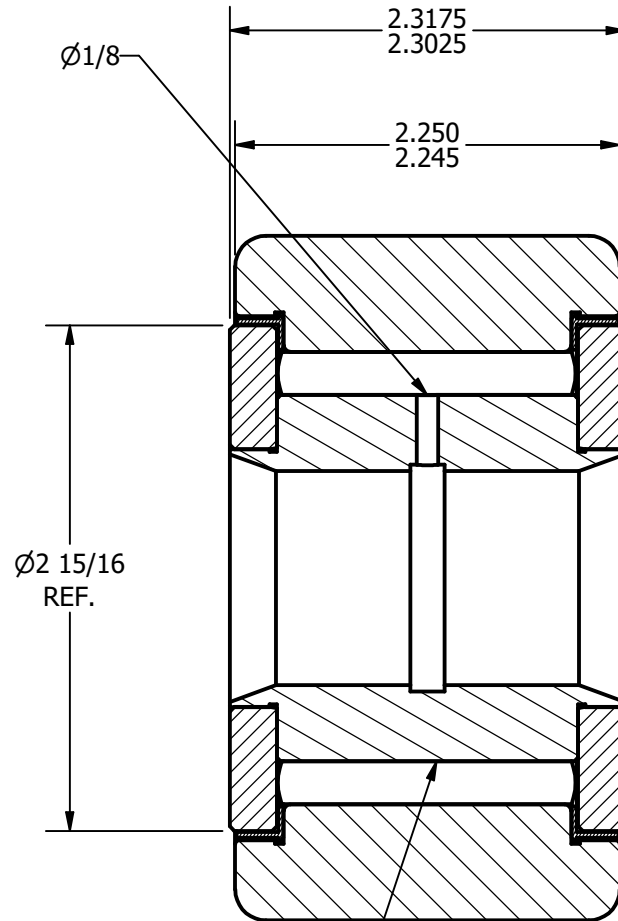
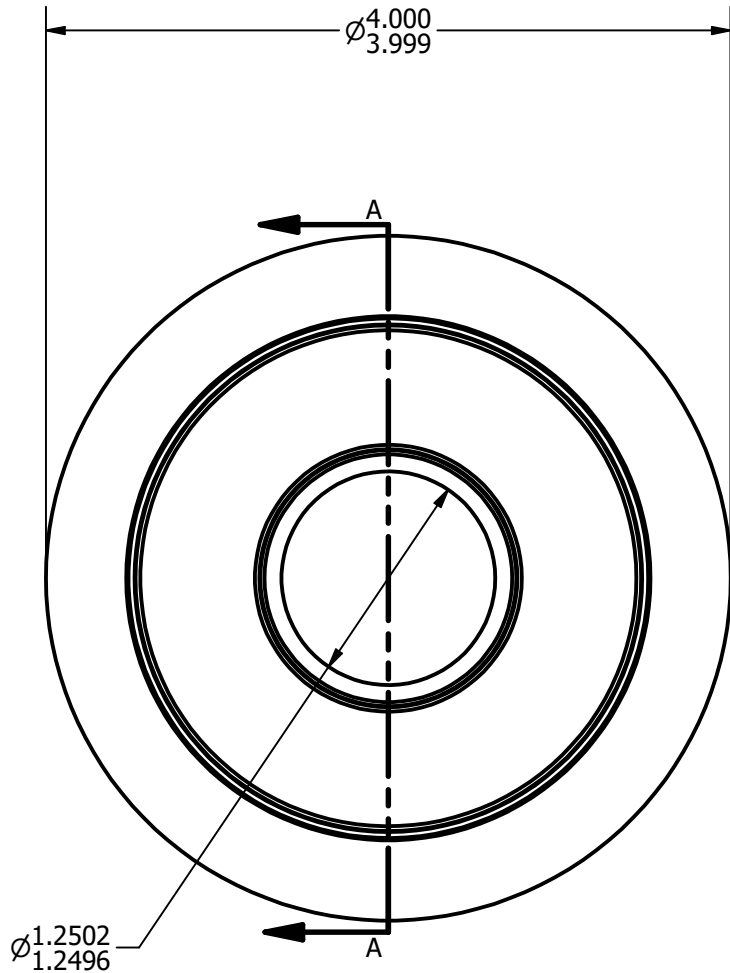
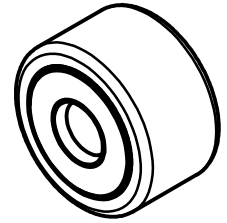


- NOTES:**
- 1. BEARING IS PACKED WITH GREASE**
 - 2. ALL EXPOSED SURFACES ARE BLACK OXIDED**



RADIAL BASIC DYNAMIC RATING (POUNDS) 29,985

MAXIMUM STATIC CAPACITY (POUNDS) 89,540

MATERIAL NOTES:

- OUTER - BEARING STEEL, HEAT TREATED**
- STUD - BEARING STEEL, ZONE HARDENED**
- NEEDLE - BEARING STEEL, HEAT TREATED**
- WASHER - COLD ROLLED STEEL, HEAT TREATED**
- SEAL - SYNTHETIC**

CUSTOMER PART#

.XX = ± .01
 .XXX = ± .005
 .XXXX = ± .0005
 ANGLES = ± 1'
 INCH [METRIC]

CARTER MANUFACTURING IS NOT RESPONSIBLE FOR TYPOGRAPHICAL ERRORS

CARTER MANUFACTURING CO., INC.

GRAND HAVEN, MICHIGAN 49417

REVISION

PART NAME: ASSEMBLY

SHEET 1 OF 2

A

AUTHOR. BY

DRAWN BY

CHK'D BY

SALES

MATERIAL

RAM

GJP

RAM

KPR

NOTED

REV. BY

DATE

DATE

DATE

DATE

DRAWING NO.

GJP

2/15/2000

2/15/2000

2/15/2000

2/13/2000

YNB-128-S