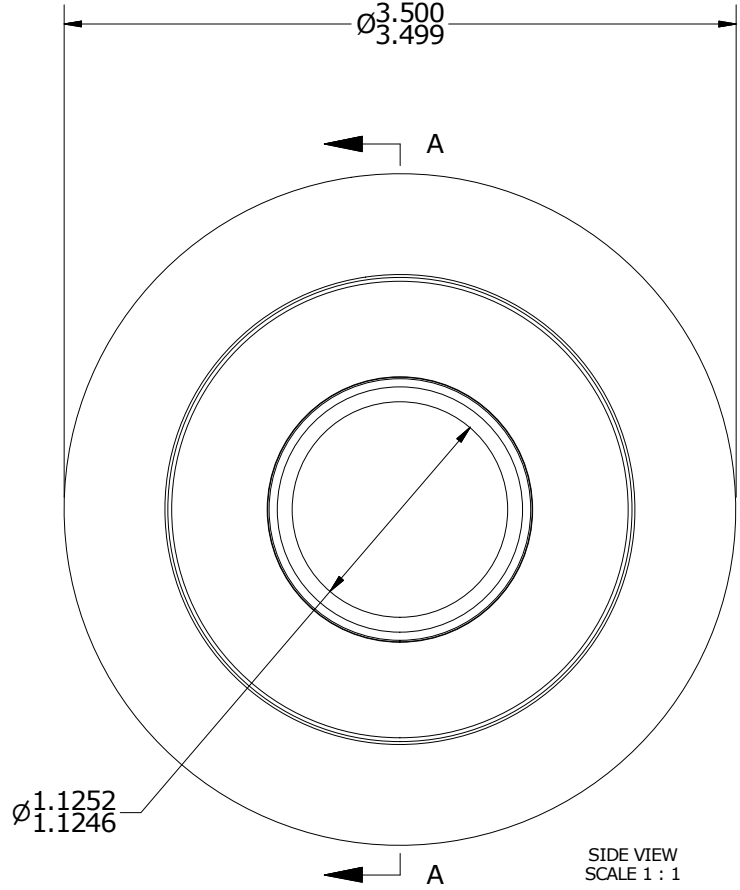
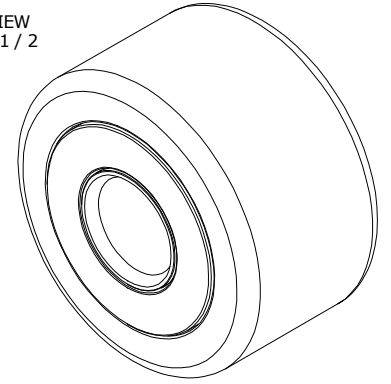


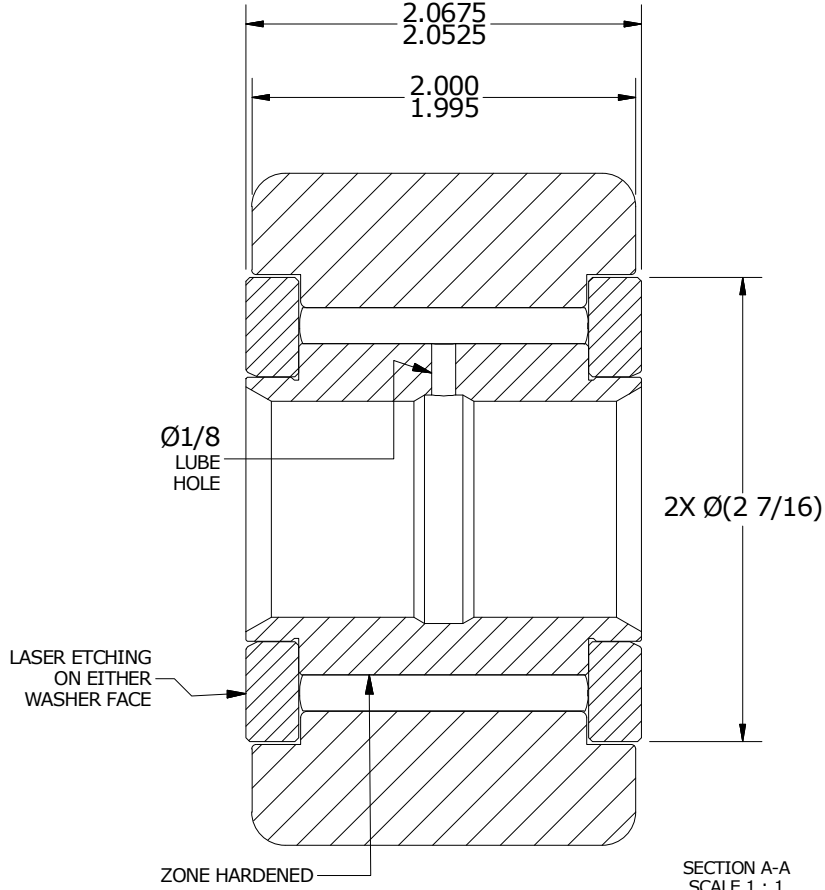
LOAD RATINGS		
RATING	lbf	Newtons
RADIAL BASIC DYNAMIC	22,800	101,419
MAXIMUM STATIC CAPACITY	63,250	281,350

- NOTES:
1. BEARING IS PACKED WITH NLGI GRADE 2, LITHIUM BASED GREASE (UNLESS OTHERWISE SPECIFIED)
 2. ALL EXPOSED SURFACES AS MOUNTED HAVE BLACK OXIDE
 3. LIMITING SPEED:
 - A. GREASE = 820 RPM
 4. CUSTOM LASER ETCHING UPON REQUEST

ISO VIEW
SCALE 1 / 2



SIDE VIEW
SCALE 1 : 1



SECTION A-A
SCALE 1 : 1

Recommended Shaft Fits		
Fit Type - Dimension	Ø (Inch)	Ø (mm)
Push - Max	1.1246	28.5684
Push - Min	1.1241	28.5521
Drive - Max	1.1254	28.5598
Drive - Min	1.1249	28.5725
Press - Max	1.1258	28.5953
Press - Min	1.1253	28.5826

MATERIAL NOTES:

OUTER RING - BEARING STEEL, HEAT TREATED
 INNER RING - BEARING STEEL, ZONE HARDENED
 NEEDLE ROLLER(S) - BEARING STEEL, HEAT TREATED
 WASHER(S) - BEARING STEEL, HEAT TREATED

CUSTOMER PART#	XX = ± .01 XXX = ± .005 XXXX = ± .0005 ANGLES = ± 1' INCH [METRIC] FRACTION = ± 1/32
ENGINEERING CHANGE ORDER NOTE	

CARTER MANUFACTURING IS NOT RESPONSIBLE FOR TYPOGRAPHICAL ERRORS	
REVISION	
B	AUTHOR BY HG
REVISION BY SGW	DATE 9/22/2018

CARTER MANUFACTURING CO., INC. GRAND HAVEN, MICHIGAN 49417				PART NAME: ASSEMBLY		PRODUCT TYPE: CNB	
DRAWN BY AJH	CHK'D BY MD	SALES KR	MATERIAL NOTED	DATE 9/18/2018	DATE 9/26/2018	DATE 8/20/2001	SHEET 1 OF 2