

LOAD RATINGS		
RATING	Lbf	Newton
RADIAL BASIC DYNAMIC	1,660	7,384
MAXIMUM STATIC CAPACITY	4,130	18,371

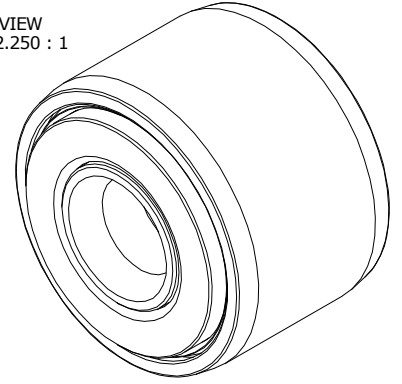
NOTES:
 1. BEARING COMES PACKED WITH CARTER STANDARD FOOD GRADE H1, NLGI 2 GREASE

MS NO.

NSN NO.

DRAWING NO. XDY-24-S

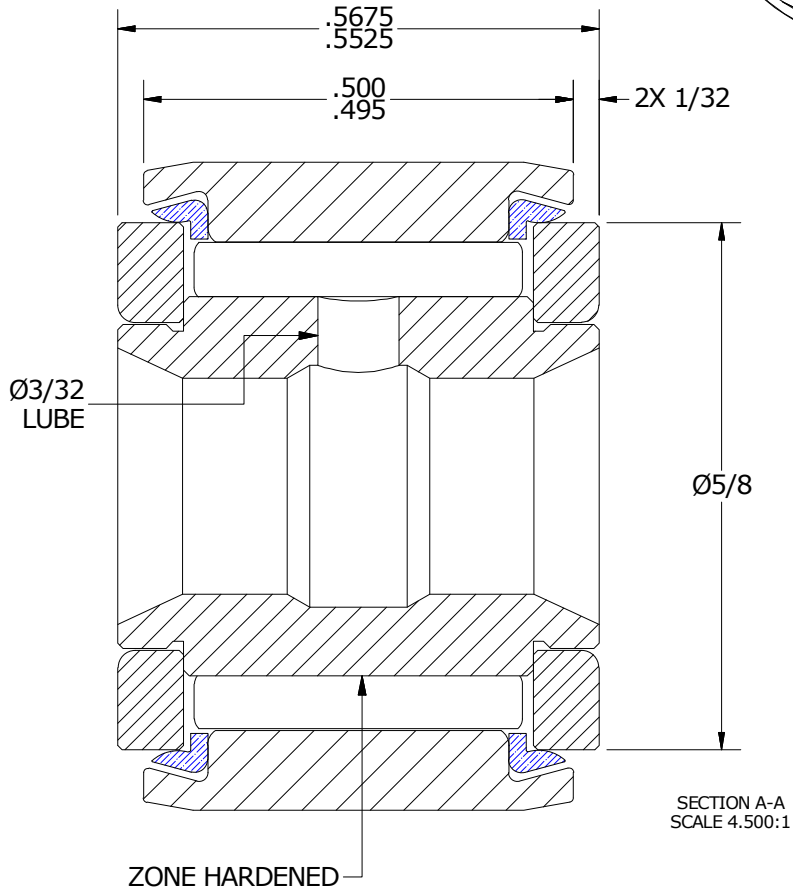
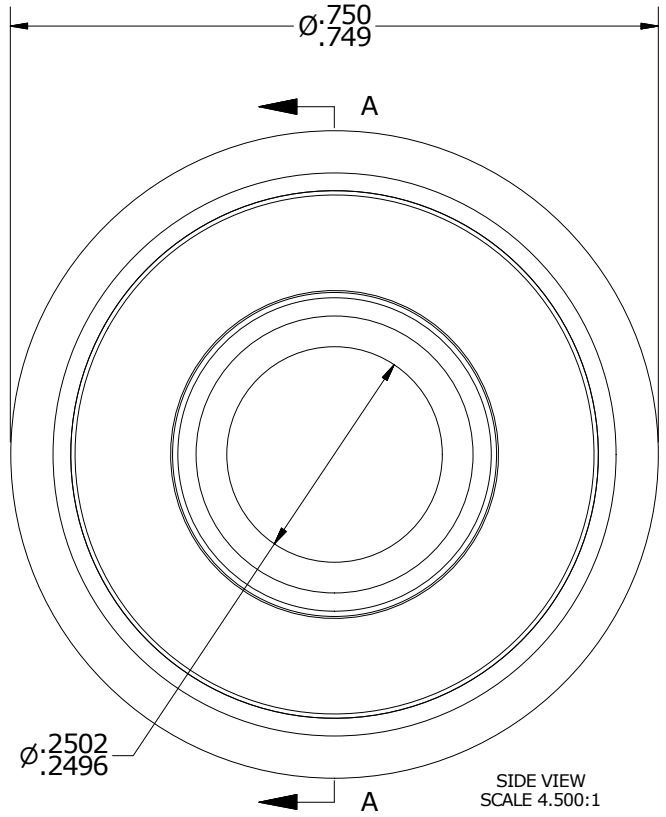
ISO VIEW
 SCALE 2.250 : 1



SIGNED DRAWING APPROVAL REQUIRED

PLEASE REVIEW AND VERIFY INFORMATION ON ALL SHEETS & RETURN COPY WITH SIGNED AND DATED APPROVAL, AND/OR REQUIRED CHANGES. CARTER WILL NOT PROCEED WITH ORDER UNTIL APPROVAL IS RECEIVED

SIGNED _____ DATE _____ APPROVED REJECTED



MATERIAL NOTES:

OUTER RING - XD15NW STAINLESS STEEL, HEAT TREATED
 INNER RING - XD15NW STAINLESS STEEL, ZONE HARDENED
 NEEDLE ROLLER(S) - XD15NW STAINLESS STEEL, HEAT TREATED
 WASHER(S) - XD15NW STAINLESS STEEL, HEAT TREATED
 SEAL(S) - SYNTHETIC

CUSTOMER PART#	XX = ± .01 XXX = ± .005 XXXX = ± .0005 ANGLES = ± 1' INCH [METRIC] FRACTION = ± 1/32
ENGINEERING CHANGE ORDER NOTE	

CARTER MANUFACTURING IS NOT RESPONSIBLE FOR TYPOGRAPHICAL ERRORS				CARTER MANUFACTURING CO., INC. GRAND HAVEN, MICHIGAN 49417			
REVISION		PART NAME: ASSEMBLY			PRODUCT TYPE: XDY		
A	AUTHOR BY HG	DRAWN BY SGW	CHK'D BY MD	SALES KR	MATERIAL NOTED		
REVISION BY SGW	DATE 5/21/2018	DATE 4/6/2018	DATE 5/17/2018	DATE 5/17/2018	SHEET 1 OF 2		