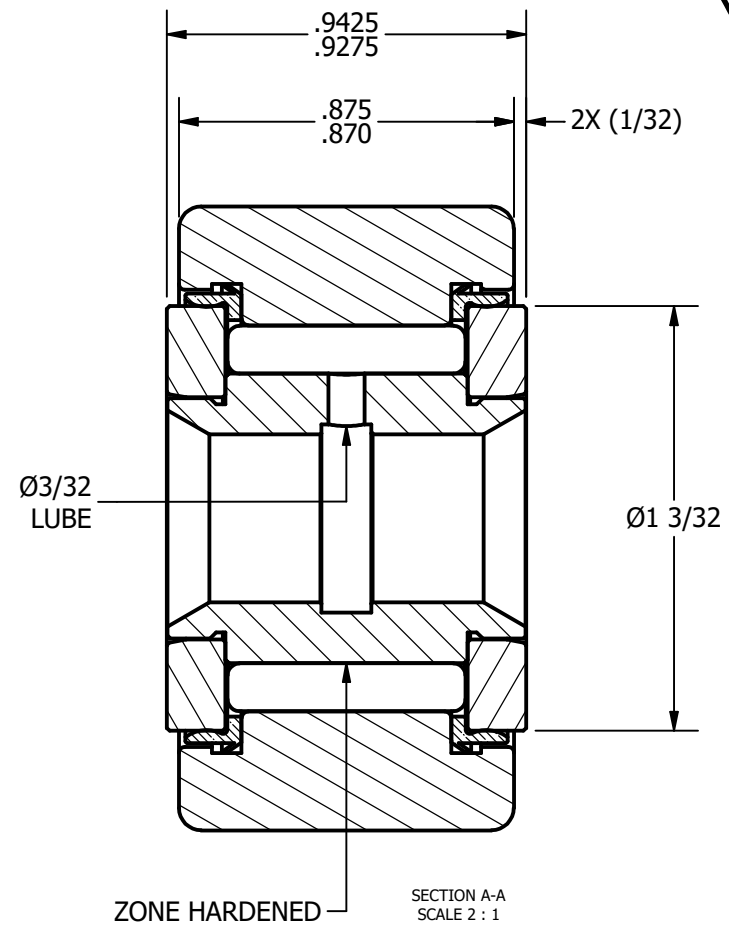
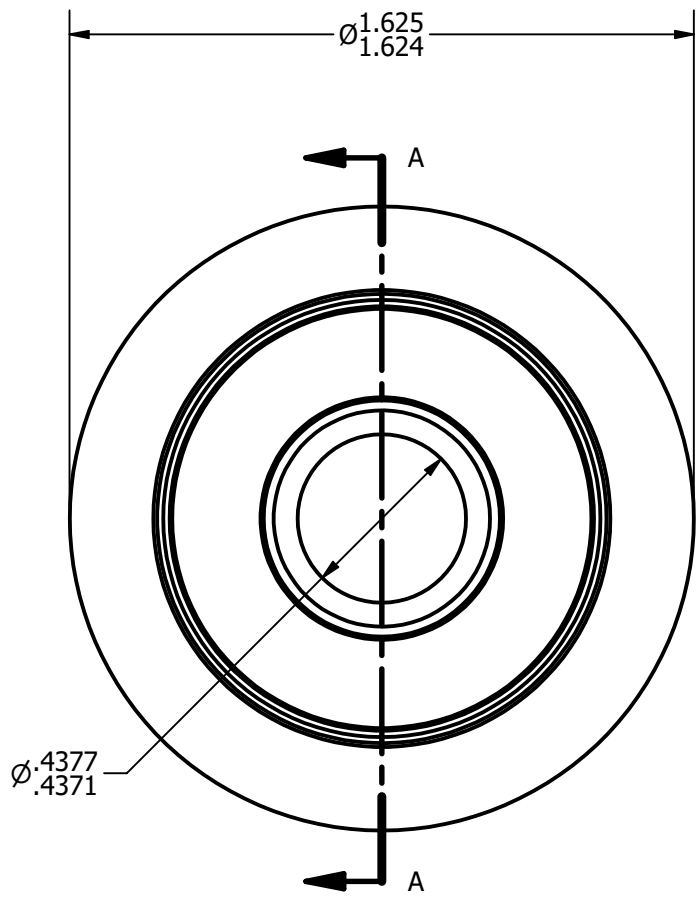
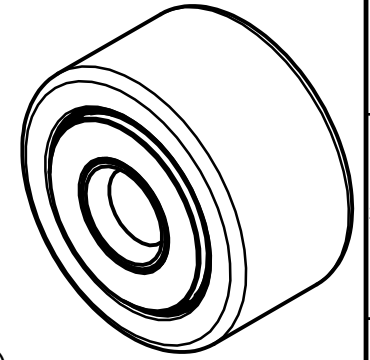


LOAD RATINGS	
RATING	Lbs
BASIC DYNAMIC	4,350
MAXIMUM STATIC	11,200

NOTES:
 1. BEARING COMES PACKED WITH CARTER STANDARD H1 FOOD GRADE GREASE



MATERIAL NOTES:
 OUTER RACE - 440C STAINLESS STEEL, HEAT TREATED
 INNER RACE - 440C STAINLESS STEEL, ZONE HARDENED
 WASHER - 440C STAINLESS STEEL, HEAT TREATED
 NEEDLE ROLLERS - 440C STAINLESS STEEL, HEAT TREATED
 SEALS - SYNTHETIC

CUSTOMER PART#	.XX = ± .01 .XXX = ± .005 .XXXX = ± .0005 ANGLES = ± 1' INCH [METRIC]
CHANGE NOTE:	

CARTER MANUFACTURING IS NOT RESPONSIBLE FOR TYPOGRAPHICAL ERRORS	
REVISION	
C	AUTHOR. BY
DB	GJP
REV. BY	DATE
MD	10/18/2010

CARTER MANUFACTURING CO., INC.					
GRAND HAVEN, MICHIGAN 49417					
PART NAME: ASSEMBLY			SHEET 1 OF 2		
SALES	MATERIAL	DATE	DATE	DATE	DRAWING NO.
KPR	NOTED	9/28/2000	10/18/2010	9/29/2000	SY-52-S