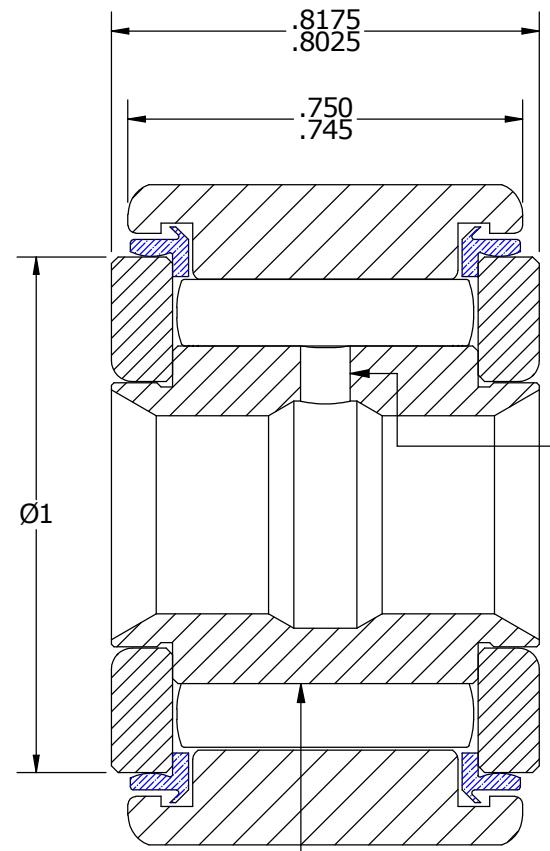
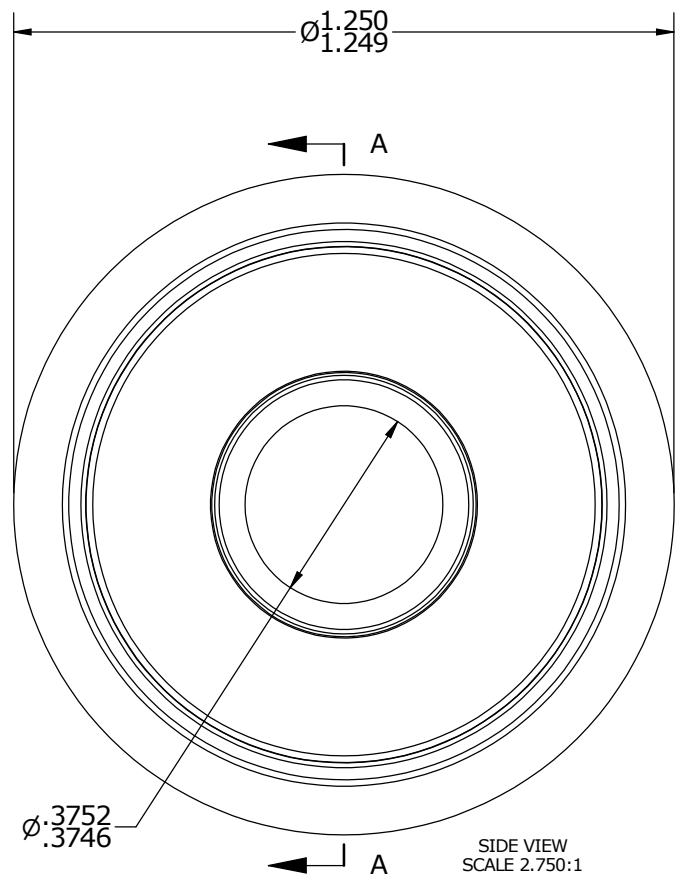
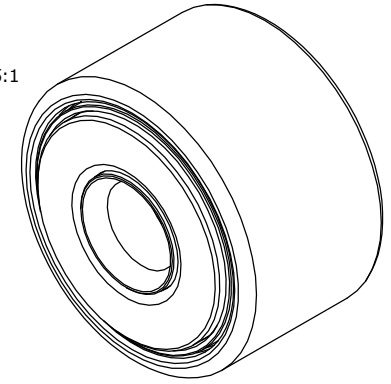


LOAD RATINGS		
RATING	lbf	Newtons
RADIAL BASIC DYNAMIC	3,144	13,985
MAXIMUM STATIC CAPACITY	6,800	30,248

NOTES:  
 1. BEARING IS PACKED WITH NLGI GRADE 2, FOOD GRADE, H1 GREASE (UNLESS OTHERWISE SPECIFIED)  
 2. LIMITING SPEED:  
 A. GREASE = 3,100 RPM

MS NO. \_\_\_\_\_ NSN NO. \_\_\_\_\_ DRAWING NO. SY-40-S

ISO VIEW  
SCALE 1.375:1



Ø3/32  
LUBE

ZONE HARDENED

Recommended Shaft Fits		
Fit Type - Dimension	Ø (Inch)	Ø (mm)
Push - Max	.3747	9.5174
Push - Min	.3743	9.5072
Drive - Max	.3753	9.5326
Drive - Min	.3749	9.5225
Press - Max	.3755	9.5377
Press - Min	.3751	9.5275

MATERIAL NOTES:  
 OUTER RING - 440C STAINLESS STEEL, HEAT TREATED  
 INNER RING - 440C STAINLESS STEEL, ZONE HARDENED  
 NEEDLE ROLLER(S) - 440C STAINLESS STEEL, HEAT TREATED  
 WASHER(S) - 440C STAINLESS STEEL, HEAT TREATED  
 SEAL(S) - SYNTHETIC

CUSTOMER PART#	XX = ± .01 XXX = ± .005 XXXX = ± .0005 ANGLES = ± 1' INCH [METRIC] FRACTION = ± 1/32
<i>ENGINEERING CHANGE ORDER NOTE</i>	

CARTER MANUFACTURING IS NOT RESPONSIBLE FOR TYPOGRAPHICAL ERRORS

REVISION	
<b>B</b>	AUTHOR BY HG
REVISION BY SGW	DATE 6/30/2016

**CARTER MANUFACTURING CO., INC.**  
 GRAND HAVEN, MICHIGAN 49417

PART NAME: ASSEMBLY

DRAWN BY	CHK'D BY	SALES	MATERIAL
GJP	MD	KR	NOTED
DATE	DATE	DATE	SHEET
5/16/2001	6/14/2016	7/15/2016	1 OF 2