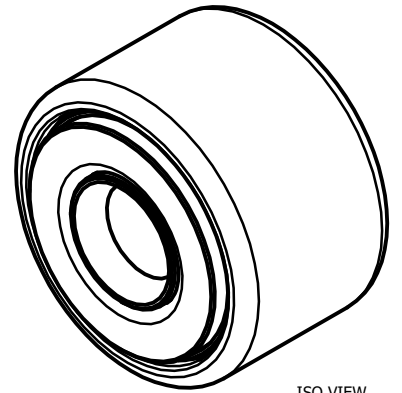
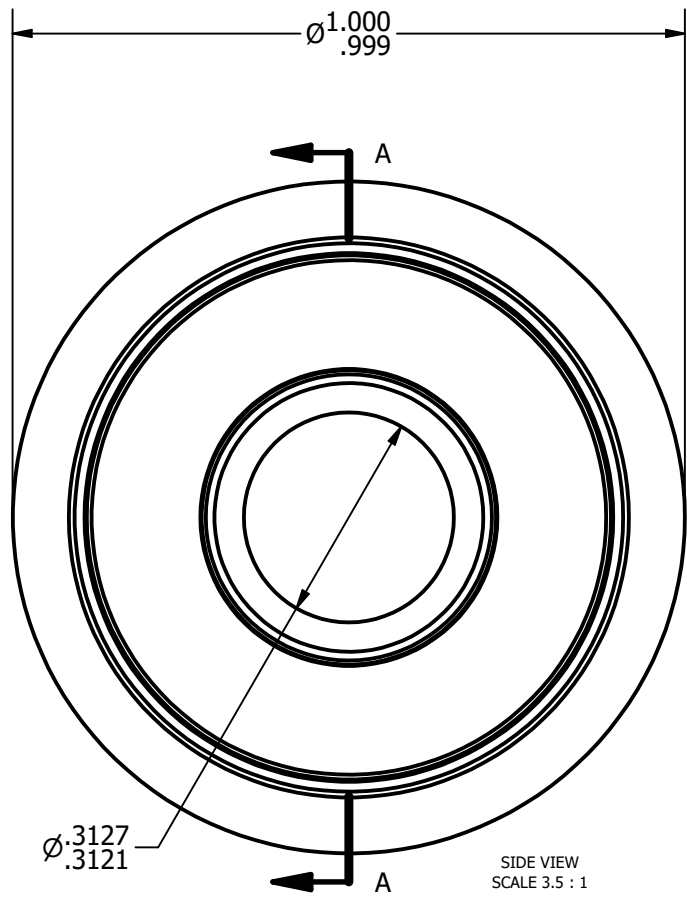


LOAD RATINGS	
RATING	Lbs
RADIAL BASIC DYNAMIC [C]	2,000
MAXIMUM STATIC CAPACITY [Co]	5,400

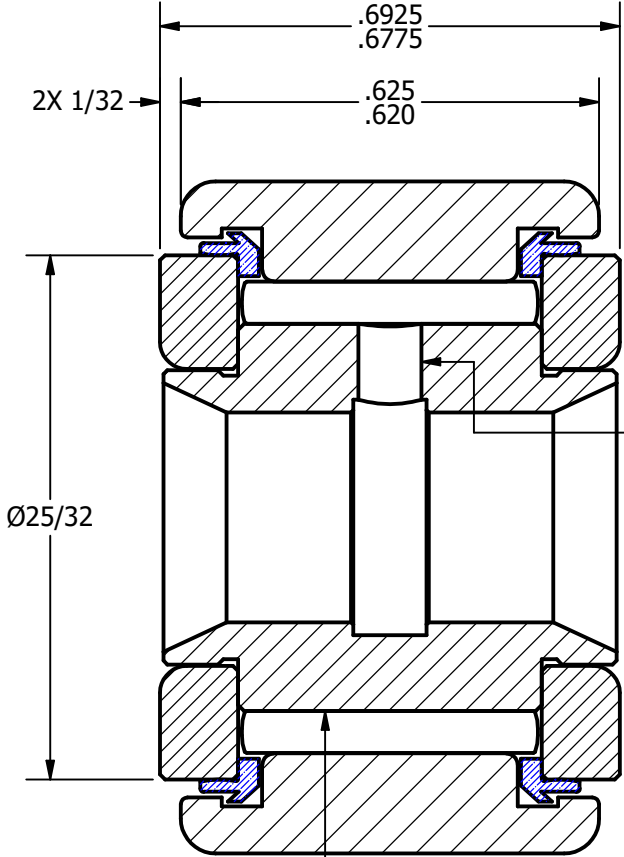
NOTES:
 1. BEARING COMES PACKED WITH CARTER STANDARD H1 FOOD GRADE GREASE



ISO VIEW
 SCALE 1.75:1



SIDE VIEW
 SCALE 3.5 : 1



SECTION A-A
 SCALE 3.5 : 1

MATERIAL NOTES:
 OUTER RACE - 440C STAINLESS STEEL, HEAT TREATED
 INNER RACE - 440C STAINLESS STEEL, ZONE HARDENED
 WASHER - 440C STAINLESS STEEL, HEAT TREATED
 NEEDLE ROLLER - 440C STAINLESS STEEL, HEAT TREATED
 SEAL - SYNTHETIC

CUSTOMER PART#	.XX = ± .01 .XXX = ± .005 .XXXX = ± .0005 ANGLES = ± 1' INCH [METRIC] FRACTION = ± 1/32
CHANGE NOTE:	

CARTER MANUFACTURING IS NOT RESPONSIBLE FOR TYPOGRAPHICAL ERRORS

CARTER MANUFACTURING CO., INC.
 GRAND HAVEN, MICHIGAN 49417

REVISION		PART NAME: ASSEMBLY			SHEET 1 OF 2
REV. BY	DATE	DRAWN BY	CHK'D BY	SALES	MATERIAL
D	DB	GJP	MD	KR	NOTED
SGW	7/8/2013	7/15/2000	7/8/2013	7/11/2013	SY-32-S