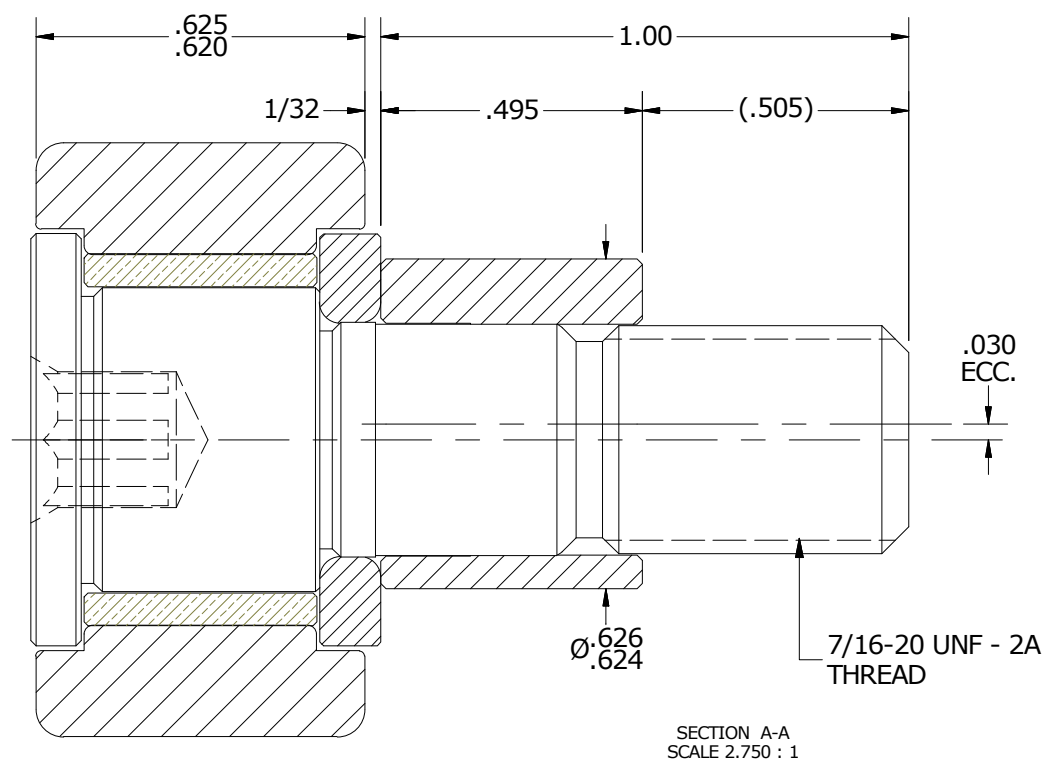
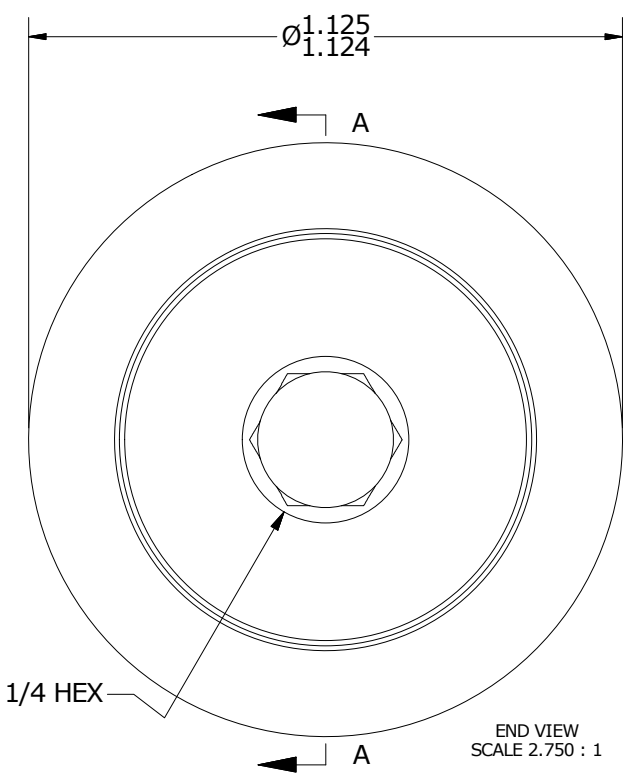
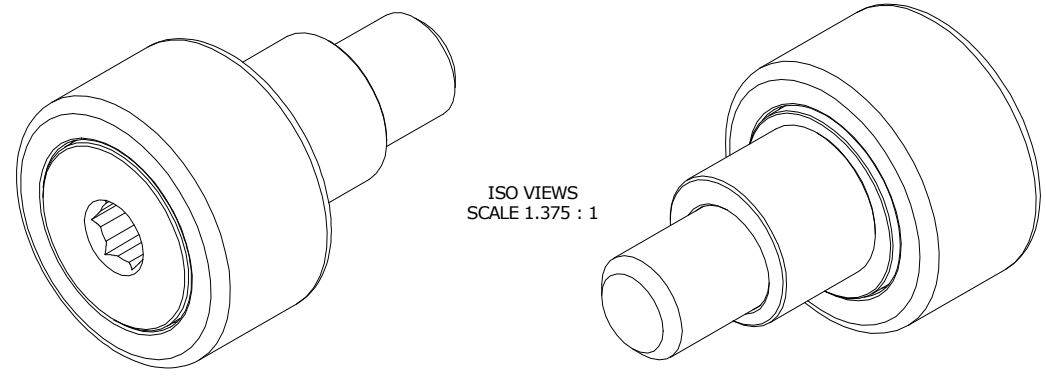


- NOTES:  
 1. BUSHING IS IMPREGNATED WITH OIL  
 2. ALL EXPOSED STEEL SURFACES HAVE BLACK OXIDE



MATERIAL NOTES:

- OUTER RING - BEARING STEEL, HEAT TREATED
- STUD - COLD ROLLED STEEL
- BUSHING - SINTERED BRONZE
- WASHER - BEARING STEEL, HEAT TREATED
- ECCENTRIC SLEEVE - COLD ROLLED STEEL

CUSTOMER PART#	XX = ± .01 XXX = ± .005 XXXX = ± .0005 ANGLES = ± 1' INCH [METRIC] FRACTION = ± 1/32
----------------	---

CARTER MANUFACTURING IS NOT RESPONSIBLE FOR TYPOGRAPHICAL ERRORS

**CARTER MANUFACTURING CO., INC.**  
 GRAND HAVEN, MICHIGAN 49417

ENGINEERING CHANGE ORDER NOTE	
A	
REVISION BY	DATE
SGW	1/2/2017

REVISION		PART NAME: ASSEMBLY					
A	AUTHOR BY	DRAWN BY	CHK'D BY	SALES	MATERIAL		
	HG	SGW	MD	KR	NOTED		
REVISION BY	DATE	DATE	DATE	DATE	SHEET		
SGW	1/2/2017	12/13/2016	12/21/2016	12/21/2016	1 OF 2		