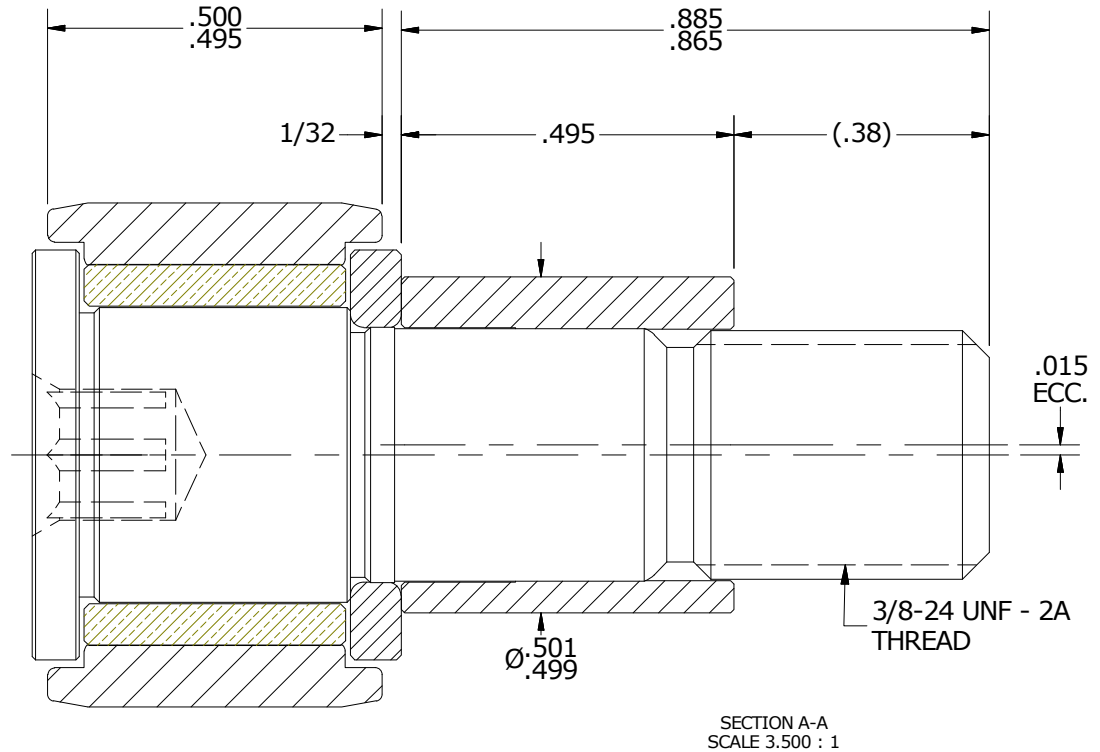
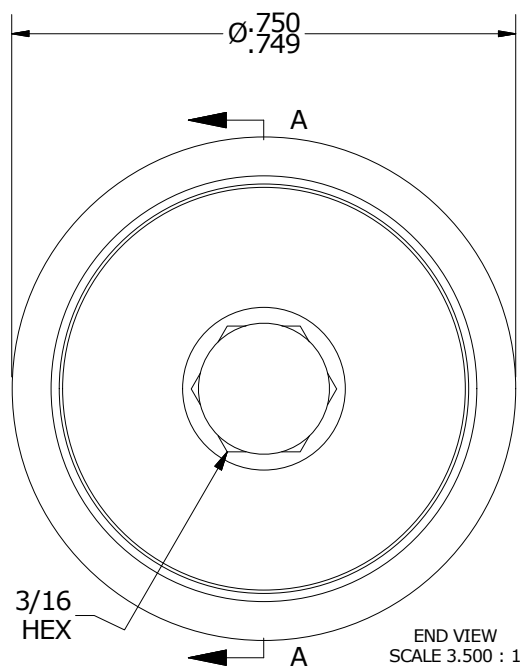
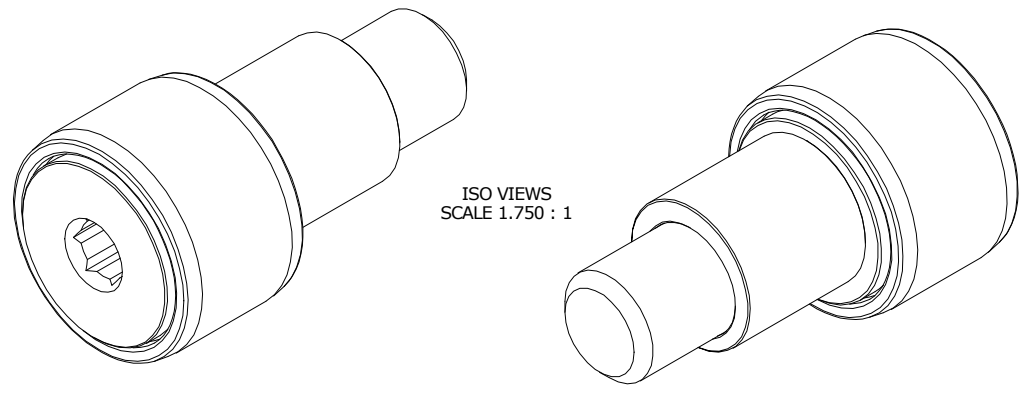


NOTES:  
 1. BUSHING IS IMPREGNATED WITH OIL.  
 2. ALL EXPOSED SURFACES HAVE BLACK OXIDE.



MATERIAL NOTES:

OUTER RING - BEARING STEEL, HEAT TREATED  
 STUD - COLD ROLLED STEEL  
 WASHER - BEARING STEEL, HEAT TREATED  
 ECCENTRIC SLEEVE - COLD ROLLED STEEL  
 BUSHING - SINTERED BRONZE

|                               |   |
|-------------------------------|---|
| CUSTOMER PART#                | XX = ± .01<br>XXX = ± .005<br>XXXX = ± .0005<br>ANGLES = ± 1'<br>INCH [METRIC]<br>FRACTION = ± 1/32 |
| ENGINEERING CHANGE ORDER NOTE |   |

|  |                  |                  |                  |  |                   |  |  |
|--|------------------|------------------|------------------|--|-------------------|--|--|
| CARTER MANUFACTURING IS NOT RESPONSIBLE FOR TYPOGRAPHICAL ERRORS |                  |                  |                  | <b>CARTER MANUFACTURING CO., INC.</b><br>GRAND HAVEN, MICHIGAN 49417 |                   |  |  |
| REVISION   |                  |                  |                  | PART NAME: ASSEMBLY  |                   |  |  |
| <b>A</b>   | AUTHOR BY<br>HG  | DRAWN BY<br>SGW  | CHK'D BY<br>MD   | SALES<br>KR  | MATERIAL<br>NOTED |  |  |
| REVISION BY<br>SGW   | DATE<br>5/5/2017 | DATE<br>5/4/2017 | DATE<br>5/4/2017 | DATE<br>5/5/2017   | SHEET<br>1 OF 2   |  |  |