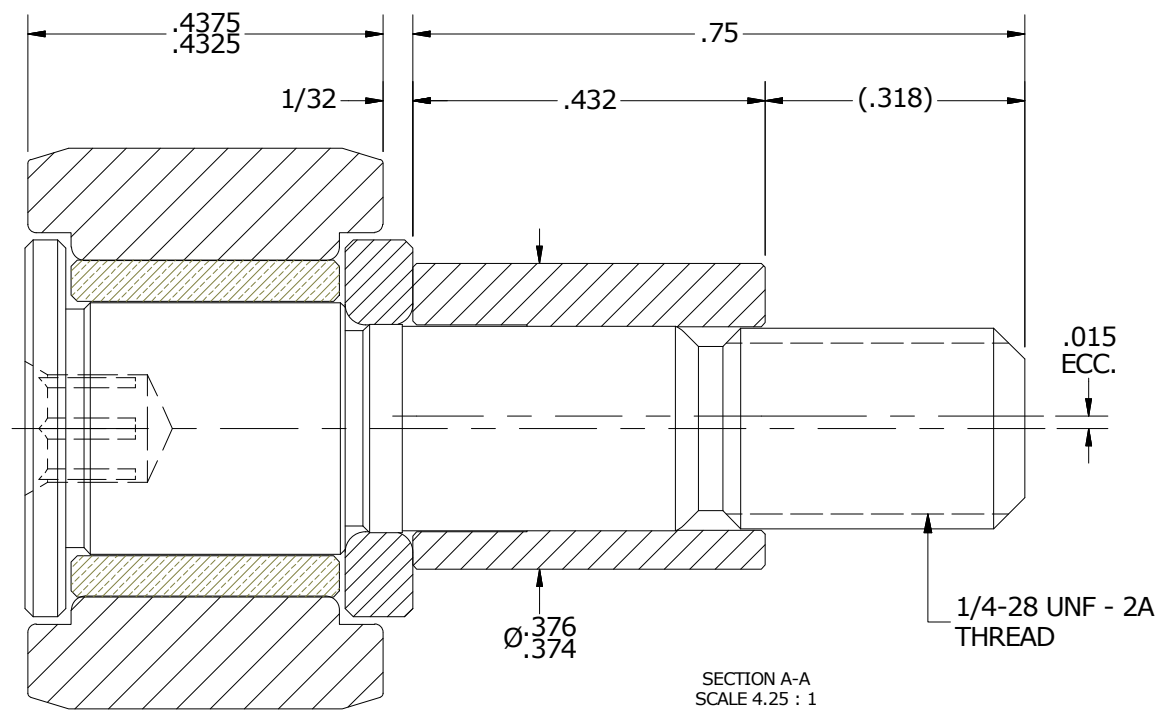
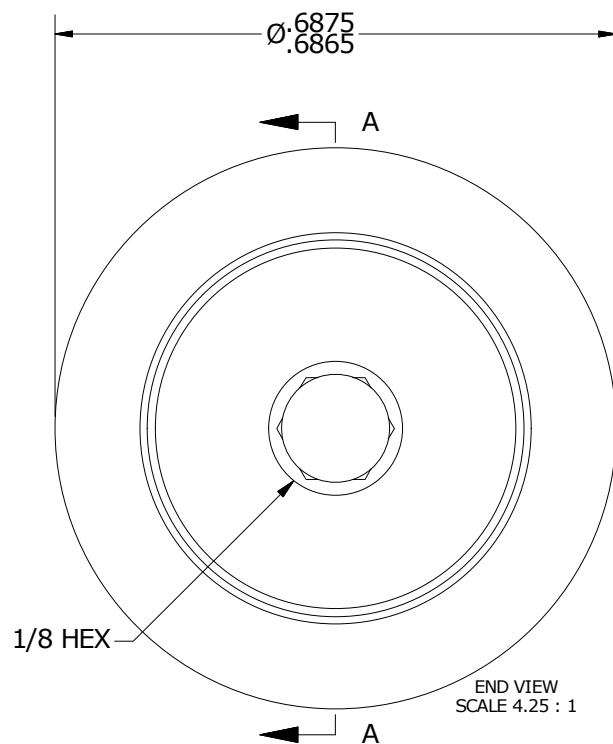
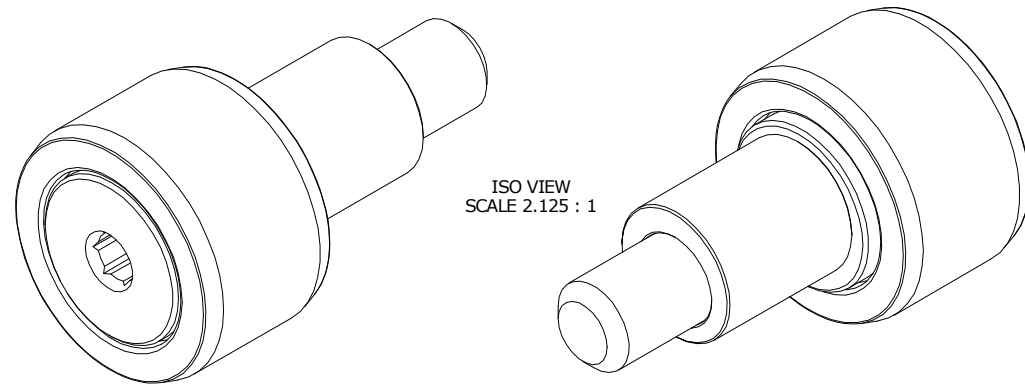


NOTES:

1. BUSHING IS IMPREGNATED WITH OIL
2. ALL EXPOSED STEEL SURFACES HAVE BLACK OXIDE



MATERIAL NOTES:

- OUTER RING - BEARING STEEL, HEAT TREATED
- STUD - COLD ROLLED STEEL
- WASHER - BEARING STEEL, HEAT TREATED
- BUSHING - SINTERED BRONZE
- ECCENTRIC SLEEVE - COLD ROLLED STEEL

CUSTOMER PART#	XX = ± .01 XXX = ± .005 XXXX = ± .0005 ANGLES = ± 1' INCH [METRIC] FRACTION = ± 1/32	CARTER MANUFACTURING IS NOT RESPONSIBLE FOR TYPOGRAPHICAL ERRORS	CARTER MANUFACTURING CO., INC. GRAND HAVEN, MICHIGAN 49417				
ENGINEERING CHANGE ORDER NOTE		REVISION	PART NAME: ASSEMBLY				
		A	AUTHOR BY HG	DRAWN BY SGW	CHK'D BY MD	SALES KR	MATERIAL NOTED
		REVISION BY SGW	DATE 11/1/2016	DATE 10/31/2016	DATE 10/31/2016	DATE 11/4/2016	SHEET 1 OF 2