

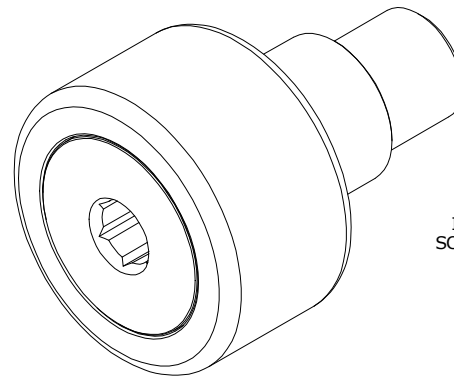
- NOTES:
 1. BUSHING IS IMPREGNATED WITH OIL
 2. ALL EXPOSED STEEL SURFACES HAVE BLACK OXIDE

MS NO.

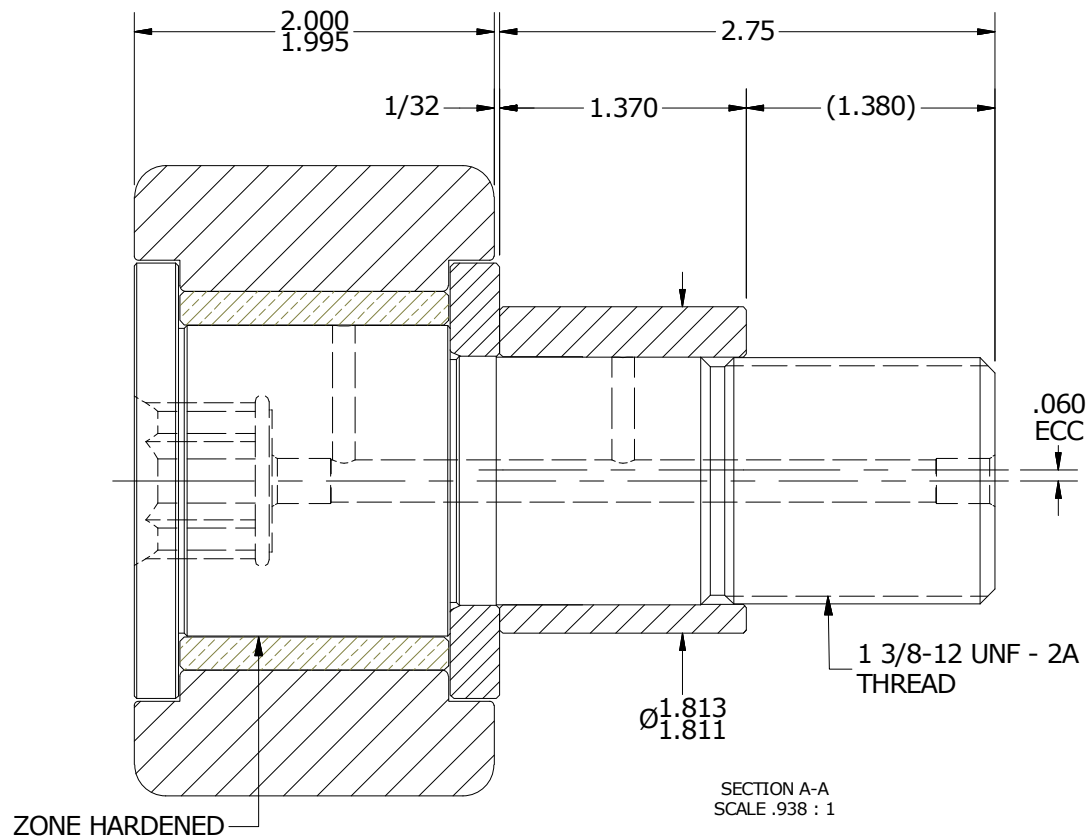
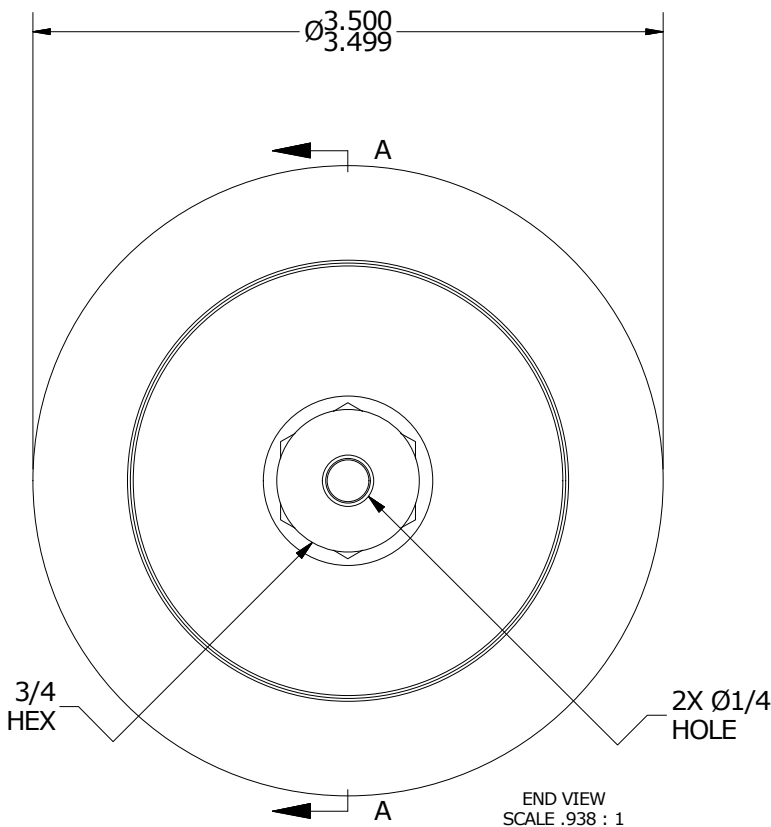
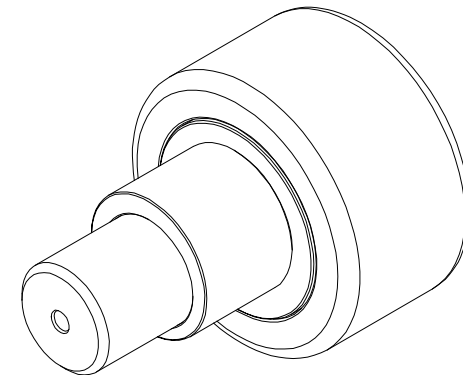
NSN NO.

DRAWING NO.

SFHE-112-B



ISO VIEWS
SCALE .469 : 1



MATERIAL NOTES:

- OUTER RING - BEARING STEEL, HEAT TREATED
- STUD - BEARING STEEL, ZONE HARDENED
- WASHER - COLD ROLLED STEEL, HEAT TREATED
- BUSHING - SINTERED BRONZE
- ECCENTRIC SLEEVE - COLD ROLLED STEEL

CUSTOMER PART#

XX = ± .01
 XXX = ± .005
 XXXX = ± .0005
 ANGLES = ± 1'
 INCH [METRIC]
 FRACTION = ± 1/32

CARTER MANUFACTURING IS
NOT RESPONSIBLE FOR
TYPOGRAPHICAL ERRORS

CARTER MANUFACTURING CO., INC.

GRAND HAVEN, MICHIGAN 49417

ENGINEERING CHANGE ORDER NOTE

REVISION

PART NAME: ASSEMBLY

A

AUTHOR BY

DRAWN BY

CHK'D BY

SALES

MATERIAL

HG

SGW

MD

KR

NOTED

REVISION BY

DATE

DATE

DATE

DATE

SHEET

SGW

1/2/2017

10/12/2016

12/20/2016

12/20/2016

1 OF 2