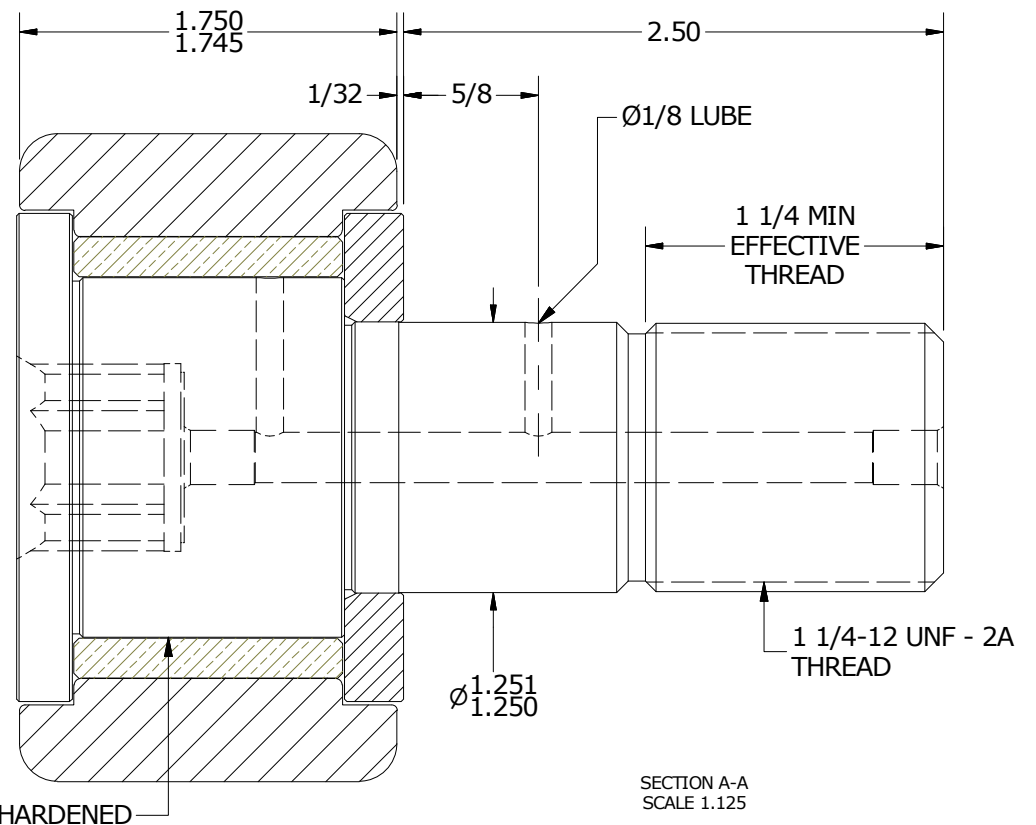
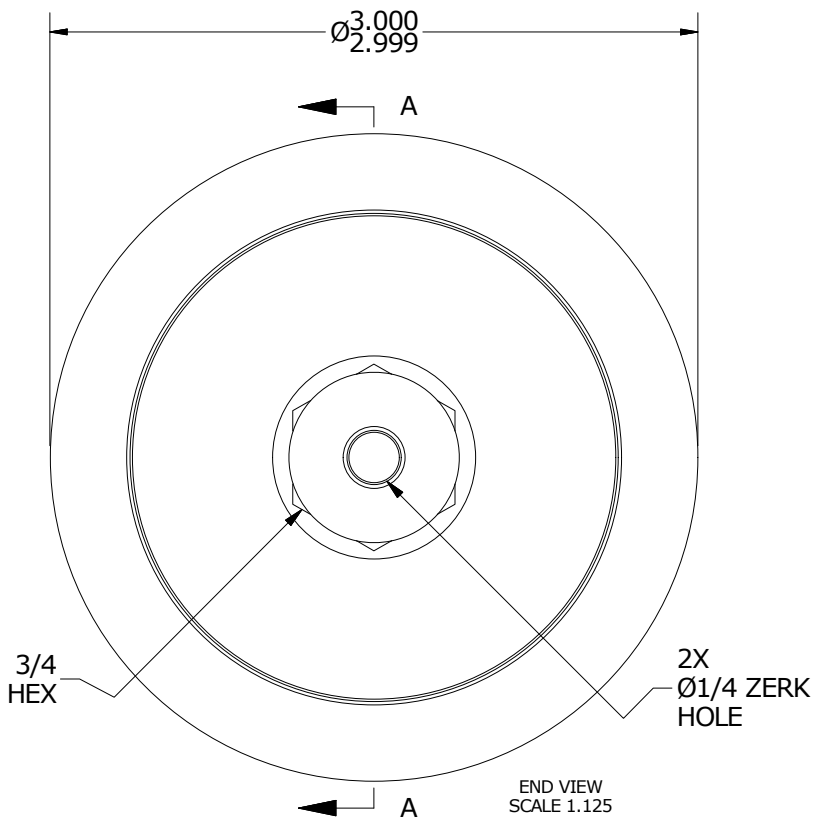
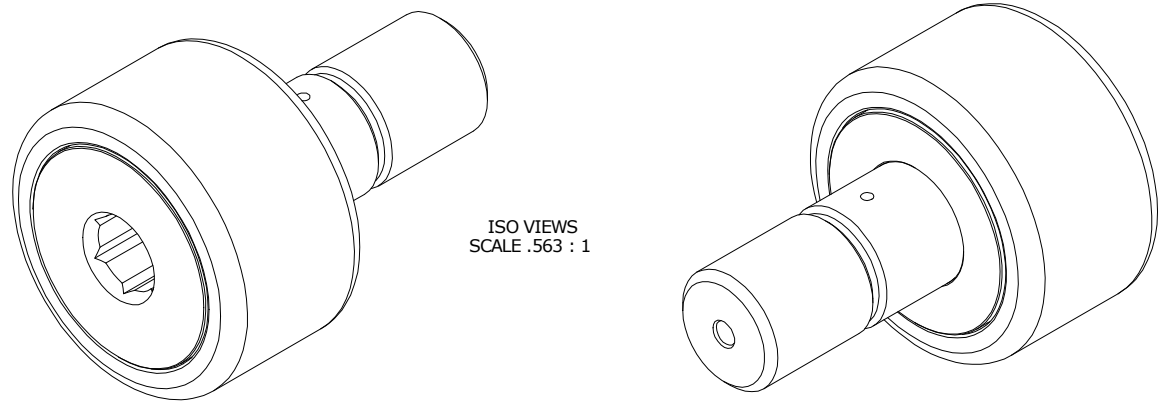


- NOTES:
 1. BUSHING IS IMPREGNATED WITH OIL
 2. ALL EXPOSED STEEL SURFACES HAVE BLACK OXIDE



MATERIAL NOTES:

OUTER RING - BEARING STEEL, HEAT TREATED
 STUD - BEARING STEEL, ZONE HARDENED
 WASHER - COLD ROLLED STEEL, HEAT TREATED
 BUSHING - SINTERED BRONZE

CUSTOMER PART#
 XX = ± .01
 XXX = ± .005
 XXXX = ± .0005
 ANGLES = ± 1'
 INCH [METRIC]
 FRACTION = ± 1/32

CARTER MANUFACTURING IS NOT RESPONSIBLE FOR TYPOGRAPHICAL ERRORS

CARTER MANUFACTURING CO., INC.
 GRAND HAVEN, MICHIGAN 49417

ENGINEERING CHANGE ORDER NOTE

REVISION		PART NAME: ASSEMBLY			
A	AUTHOR BY	DRAWN BY	CHK'D BY	SALES	MATERIAL NOTED
REVISION BY	DATE	DATE	DATE	DATE	SHEET
SGW		10/12/2016			1 OF 2