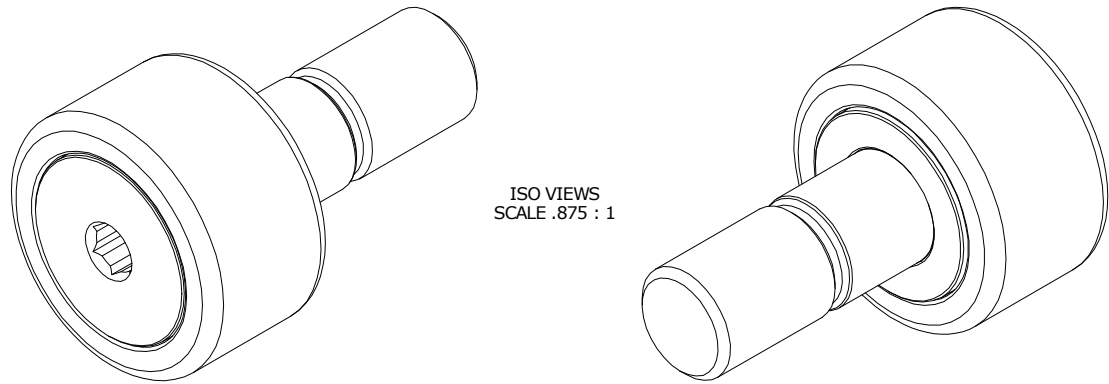
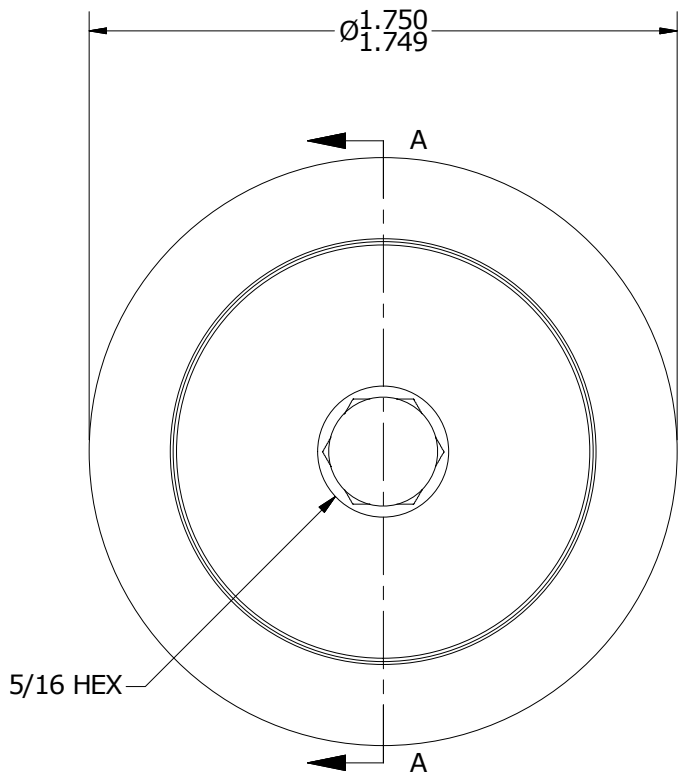


NOTES:

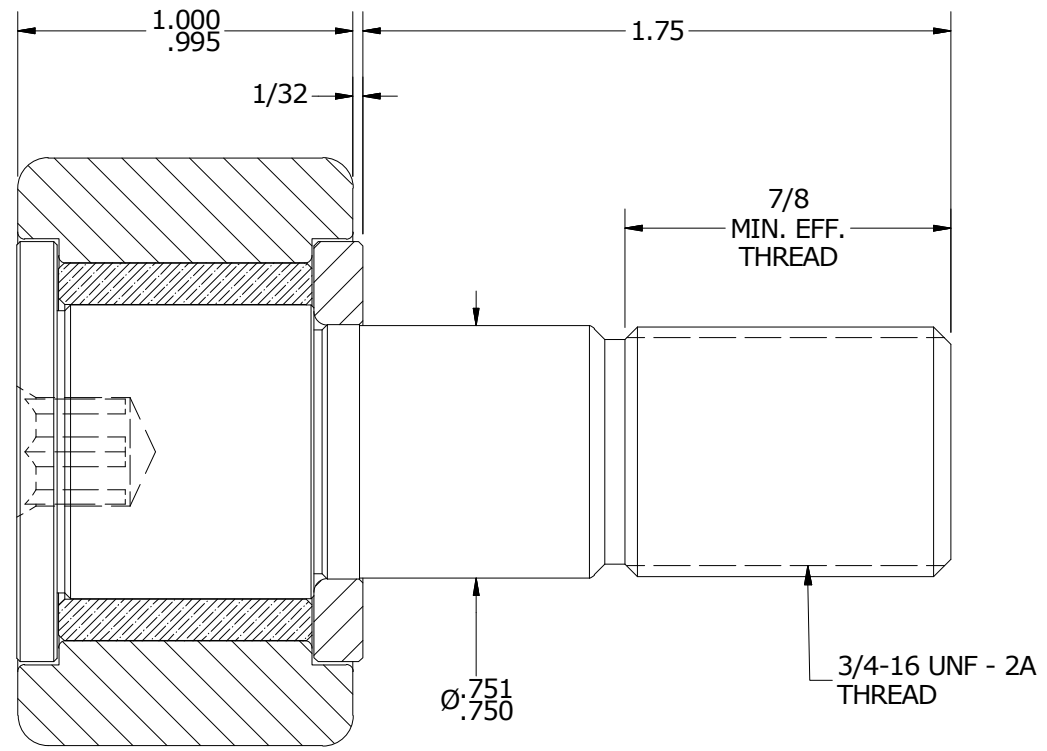
1. BUSHING IS IMPREGNATED WITH OIL
2. ALL EXPOSED SURFACES HAVE BLACK OXIDE



ISO VIEWS
SCALE .875 : 1



END VIEW
SCALE 1.75 : 1



SECTION A-A
SCALE 1.75 : 1

MATERIAL NOTES:

- OUTER RING - BEARING STEEL, HEAT TREATED
- STUD - STEEL
- WASHER - BEARING STEEL, HEAT TREATED
- BUSHING - SINTERED BRONZE

CUSTOMER PART#	XX = ± .01 XXX = ± .005 XXXX = ± .0005 ANGLES = ± 1' INCH [METRIC] FRACTION = ± 1/32
ENGINEERING CHANGE ORDER NOTE	

CARTER MANUFACTURING IS NOT RESPONSIBLE FOR TYPOGRAPHICAL ERRORS			CARTER MANUFACTURING CO., INC. GRAND HAVEN, MICHIGAN 49417			
REVISION		PART NAME: ASSEMBLY			PRODUCT TYPE: SFH	
D	AUTHOR BY HG	DRAWN BY MDS	CHK'D BY SGW	SALES KR	MATERIAL NOTED	
REVISION BY MD	DATE 11/5/2018	DATE 6/14/2000	DATE 11/5/2018	DATE 2/18/2010	SHEET 1 OF 2	