

NOTES:

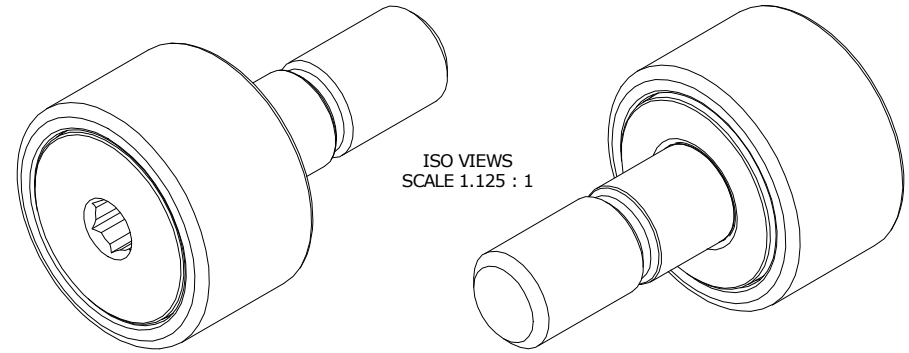
1. BUSHING IS IMPREGNATED WITH OIL
2. ALL EXPOSED SURFACES HAVE BLACK OXIDE

MS NO.

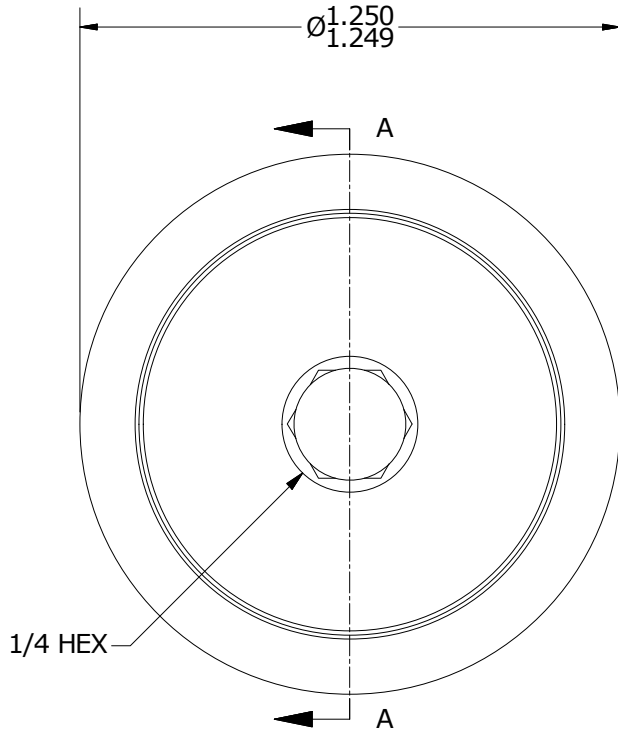
NSN NO.

DRAWING NO.

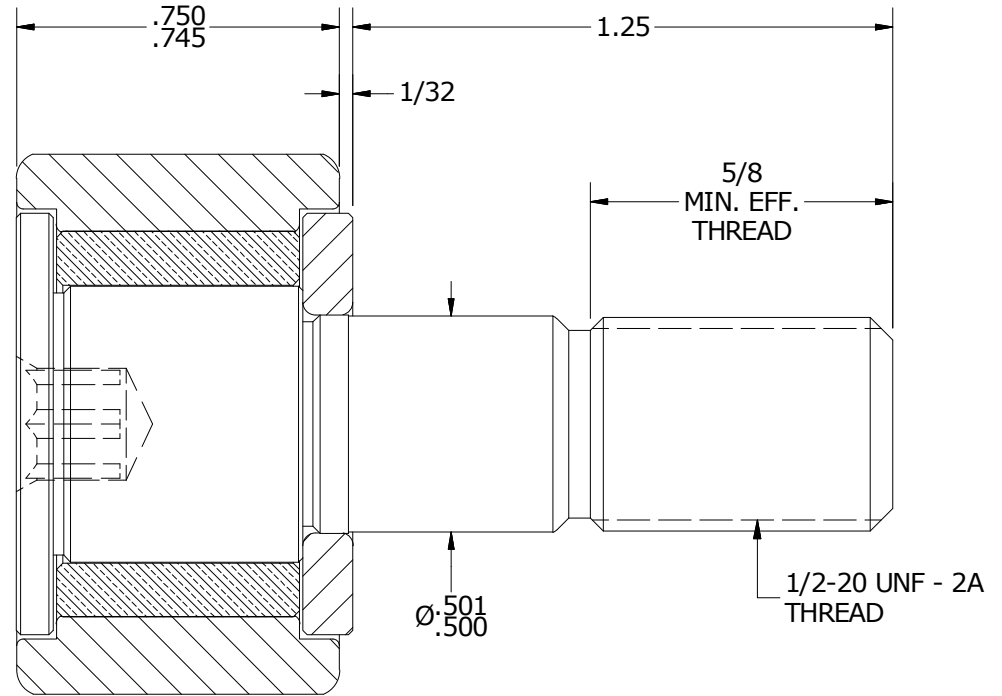
SFH-40-A



ISO VIEWS
SCALE 1.125 : 1



END VIEW
SCALE 2.25 : 1



SECTION A-A
SCALE 2.25 : 1

MATERIAL NOTES:

- OUTER RACE - BEARING STEEL, HEAT TREATED
- STUD - COLD ROLLED STEEL
- WASHER - BEARING STEEL, HEAT TREATED
- BUSHING - SINTERED BRONZE

CUSTOMER PART#

XX = ± .01
XXX = ± .005
XXXX = ± .0005
ANGLES = ± 1'
INCH [METRIC]
FRACTION = ± 1/32

CARTER MANUFACTURING IS
NOT RESPONSIBLE FOR
TYPOGRAPHICAL ERRORS

CARTER MANUFACTURING CO., INC.

GRAND HAVEN, MICHIGAN 49417

ENGINEERING CHANGE ORDER NOTE

REVISION

PART NAME: ASSEMBLY

C

AUTHOR BY

DRAWN BY

CHK'D BY

SALES

MATERIAL

HG

MDS

SGW

KPR

NOTED

REVISION BY

DATE

DATE

DATE

DATE

SHEET

MD

11/3/2016

6/13/2000

11/3/2016

6/11/2000

1 OF 2