

NOTES:

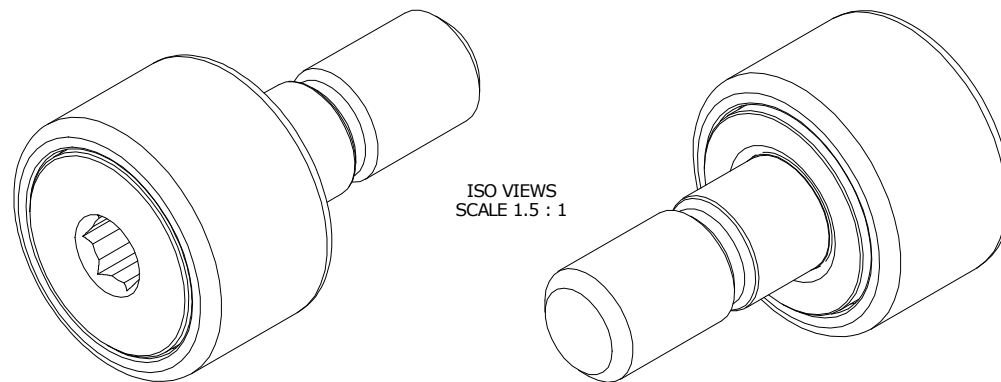
1. BEARING IS PACKED WITH NLGI GRADE 2, NEVERLUBE GREASE (UNLESS OTHERWISE SPECIFIED)
2. ALL EXPOSED SURFACES HAVE BLACK OXIDE

MS NO.

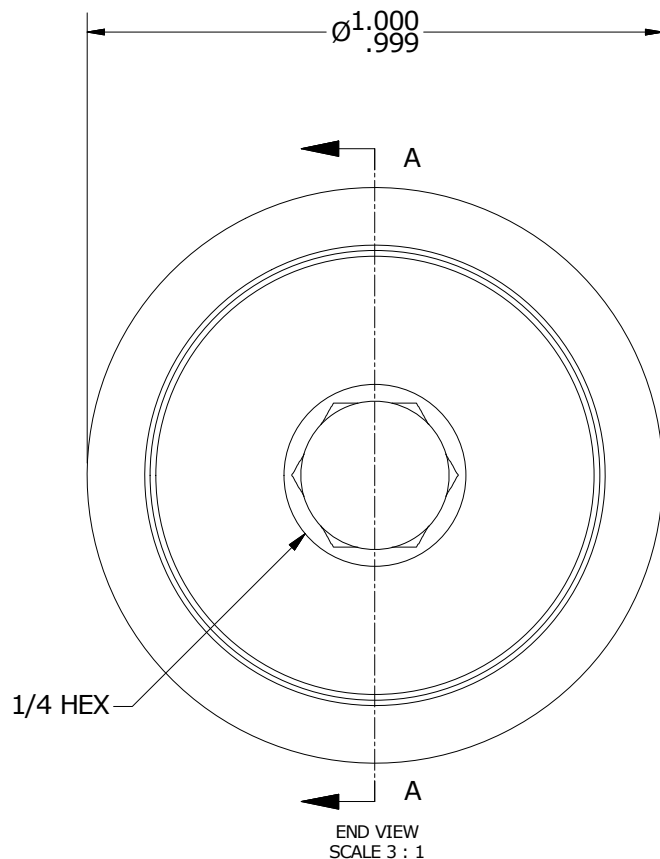
NSN NO.

DRAWING NO.

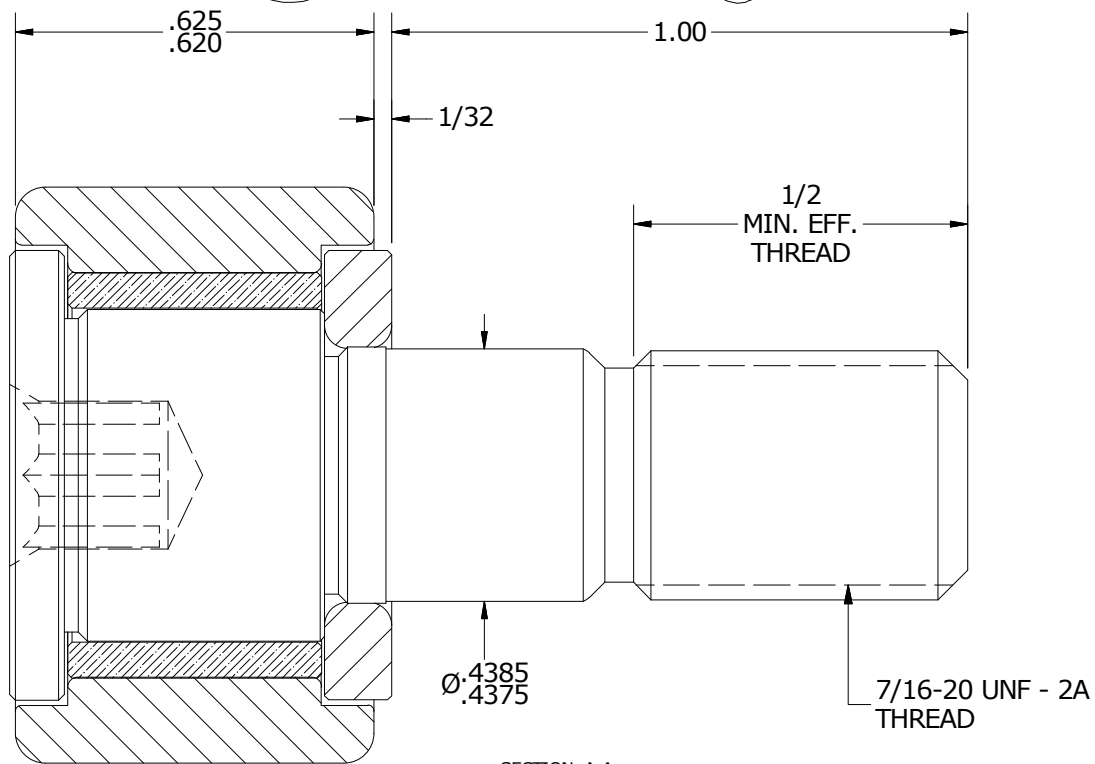
SFH-32-A



ISO VIEWS
SCALE 1.5 : 1



END VIEW
SCALE 3 : 1



SECTION A-A
SCALE 3 : 1

MATERIAL NOTES:

- OUTER RACE - BEARING STEEL, HEAT TREATED
- STUD - COLD ROLLED STEEL
- WASHER - BEARING STEEL, HEAT TREATED
- BUSHING - SINTERED BRONZE SAE 841

CUSTOMER PART#

XX = ± .01
XXX = ± .005
XXXX = ± .0005
ANGLES = ± 1'
INCH [METRIC]
FRACTION = ± 1/32

CARTER MANUFACTURING IS
NOT RESPONSIBLE FOR
TYPOGRAPHICAL ERRORS

CARTER MANUFACTURING CO., INC.

GRAND HAVEN, MICHIGAN 49417

ENGINEERING CHANGE ORDER NOTE

REVISION

PART NAME: ASSEMBLY

C

AUTHOR BY
HG

DRAWN BY
GJP

CHK'D BY
SGW

SALES
KR

MATERIAL
NOTED

REVISION BY
MD

DATE
9/9/2016

DATE
4/12/2000

DATE
9/9/2016

DATE
9/9/2016

SHEET
1 OF 2