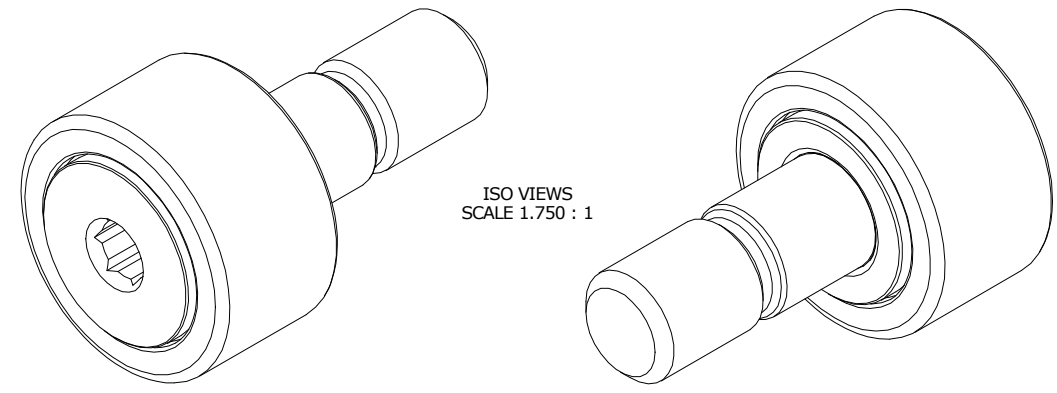
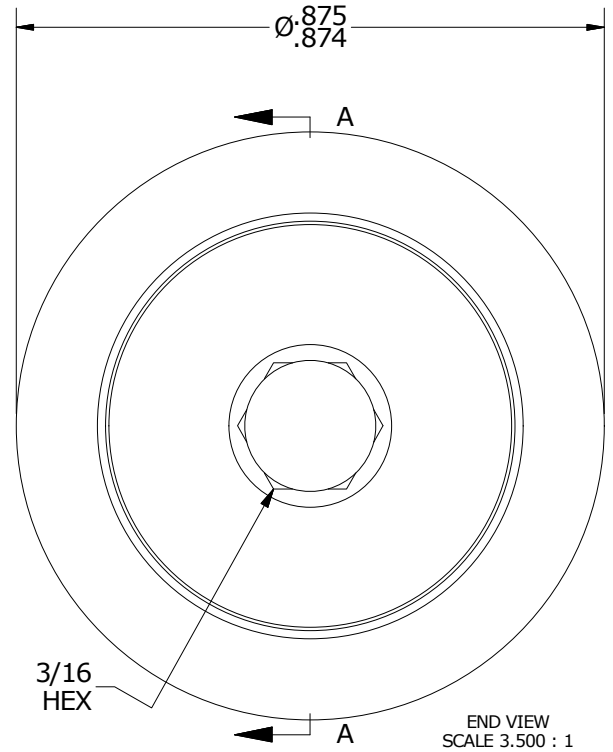


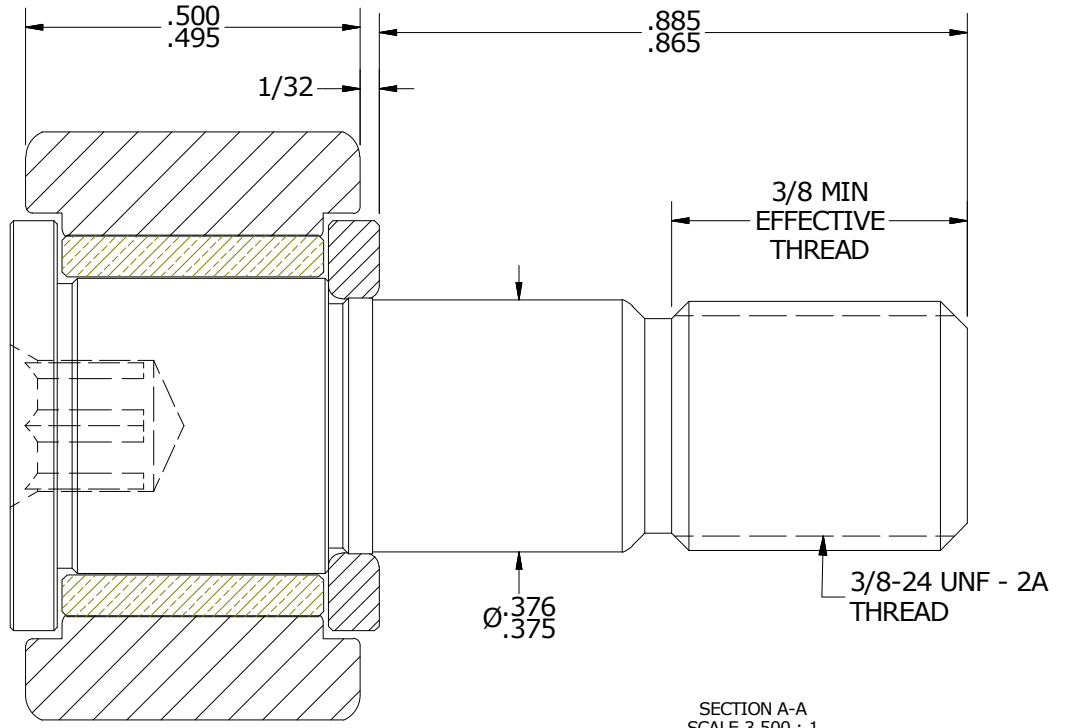
NOTES:
 1. BUSHING IS IMPREGNATED WITH OIL.
 2. ALL EXPOSED SURFACES HAVE BLACK OXIDE.



ISO VIEWS
SCALE 1.750 : 1



END VIEW
SCALE 3.500 : 1



SECTION A-A
SCALE 3.500 : 1

MATERIAL NOTES:

- OUTER RING - BEARING STEEL, HEAT TREATED
- STUD - COLD ROLLED STEEL
- WASHER - BEARING STEEL, HEAT TREATED
- BUSHING - SINTERED BRONZE

CUSTOMER PART# _____
 XX = ± .01
 XXX = ± .005
 XXXX = ± .0005
 ANGLES = ± 1'
 INCH [METRIC]
 FRACTION = ± 1/32

CARTER MANUFACTURING IS NOT RESPONSIBLE FOR TYPOGRAPHICAL ERRORS

CARTER MANUFACTURING CO., INC.
 GRAND HAVEN, MICHIGAN 49417

ENGINEERING CHANGE ORDER NOTE

REVISION		PART NAME: ASSEMBLY			
B	AUTHOR BY HG	DRAWN BY GJP	CHK'D BY MD	SALES KR	MATERIAL NOTED
REVISION BY SGW	DATE 5/5/2017	DATE 9/7/2000	DATE 5/4/2017	DATE 5/5/2017	SHEET 1 OF 2