

NOTES:

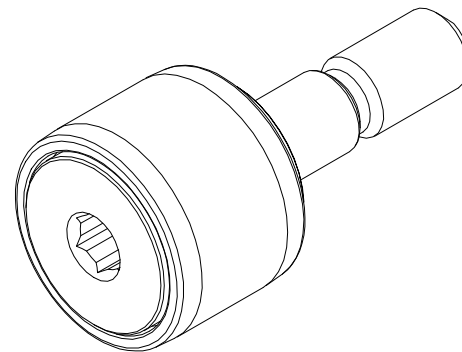
1. BUSHING IS OIL IMPREGNATED
2. ALL EXPOSED SURFACES HAVE BLACK OXIDE

MS NO.

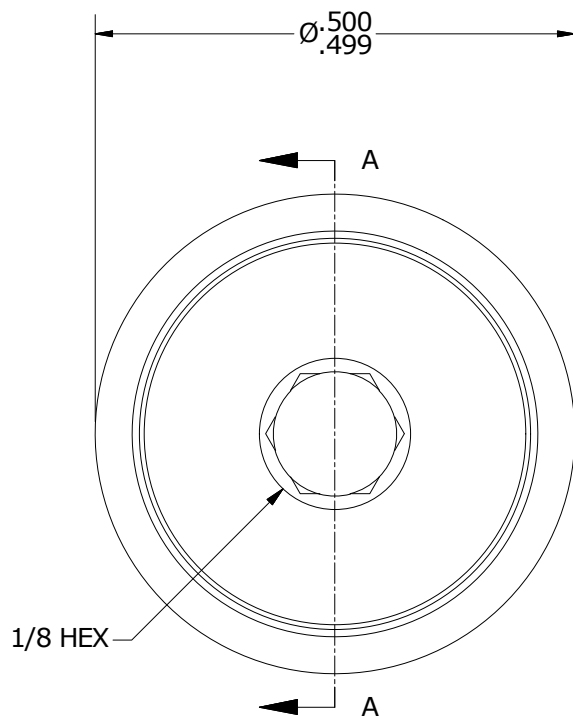
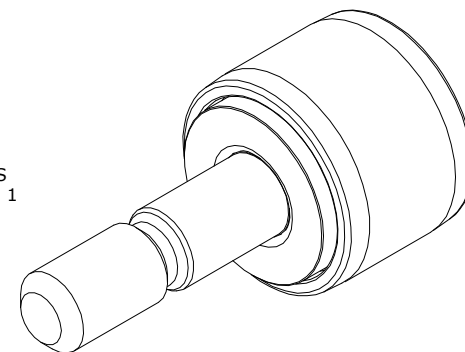
NSN NO.

DRAWING NO.

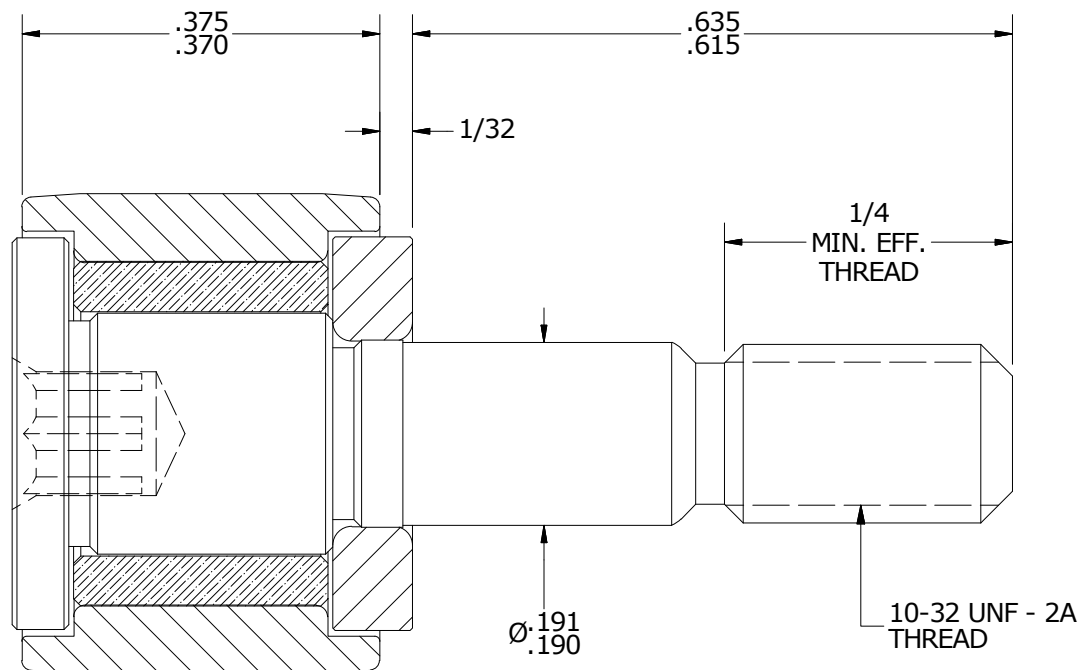
SFH-16-A



ISO VIEWS
SCALE 2.5 : 1



END VIEW
SCALE 5 : 1



SECTION A-A
SCALE 5 : 1

MATERIAL NOTES:

- OUTER RACE - BEARING STEEL, HEAT TREATED
- STUD - COLD ROLLED STEEL
- WASHER - BEARING STEEL, HEAT TREATED
- BUSHING - SINTERED BRONZE

CUSTOMER PART#

XX = ± .01
 XXX = ± .005
 XXXX = ± .0005
 ANGLES = ± 1'
 INCH [METRIC]
 FRACTION = ± 1/32

CARTER MANUFACTURING IS NOT RESPONSIBLE FOR TYPOGRAPHICAL ERRORS

CARTER MANUFACTURING CO., INC.

GRAND HAVEN, MICHIGAN 49417

REVISION

PART NAME: ASSEMBLY

ENGINEERING CHANGE ORDER NOTE

C

AUTHOR BY
HG

DRAWN BY
GJP

CHK'D BY
SGW

SALES
KPR

MATERIAL
NOTED

REVISION BY
MD

DATE
7/27/2017

DATE
2/24/2000

DATE
7/27/2017

DATE
2/23/2000

SHEET
1 OF 2