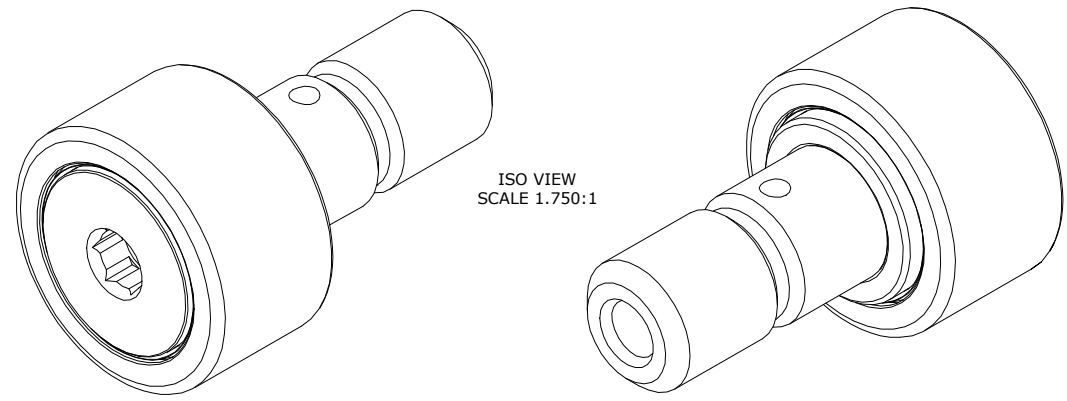


LOAD RATINGS		
RATING	Lbs	Newtons
RADIAL BASIC DYNAMIC	1,490	6,628
MAXIMUM STATIC CAPACITY	3,000	13,345

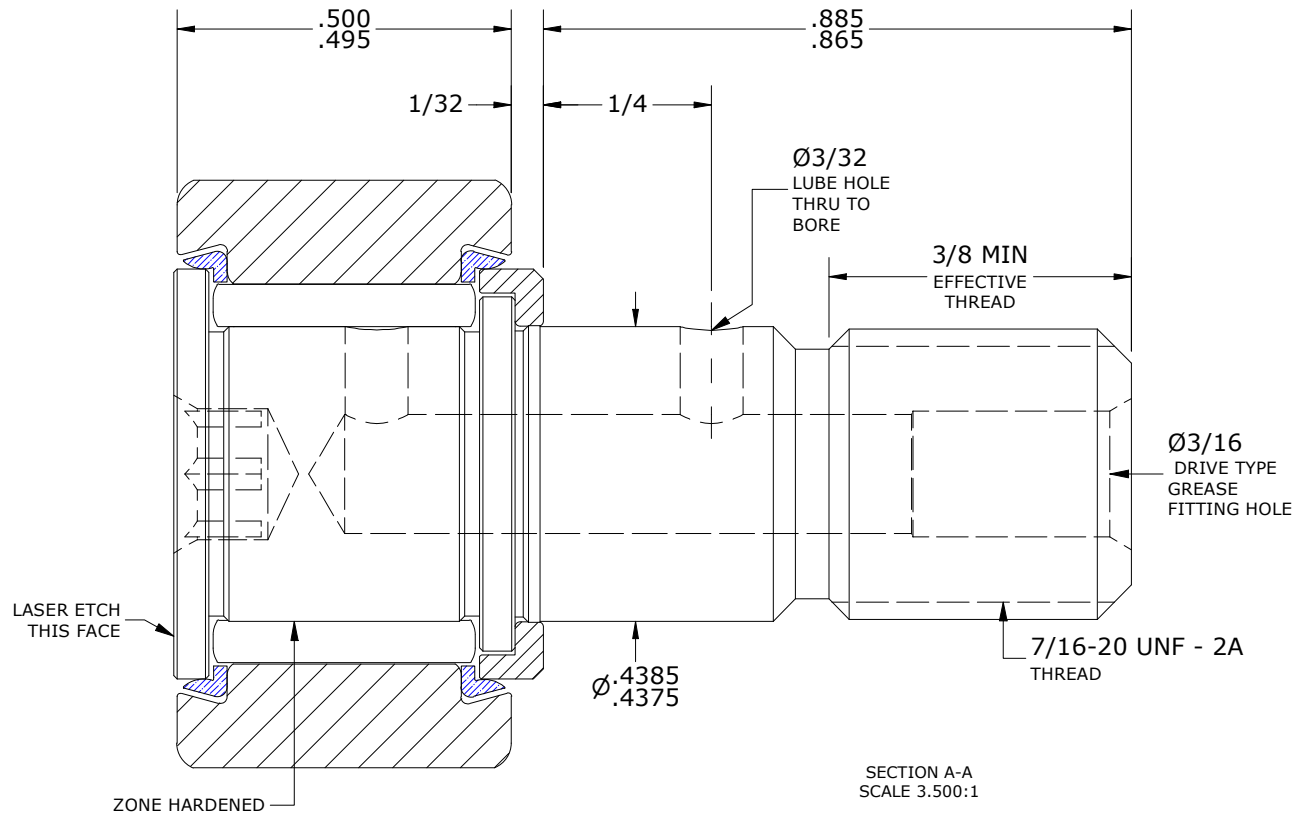
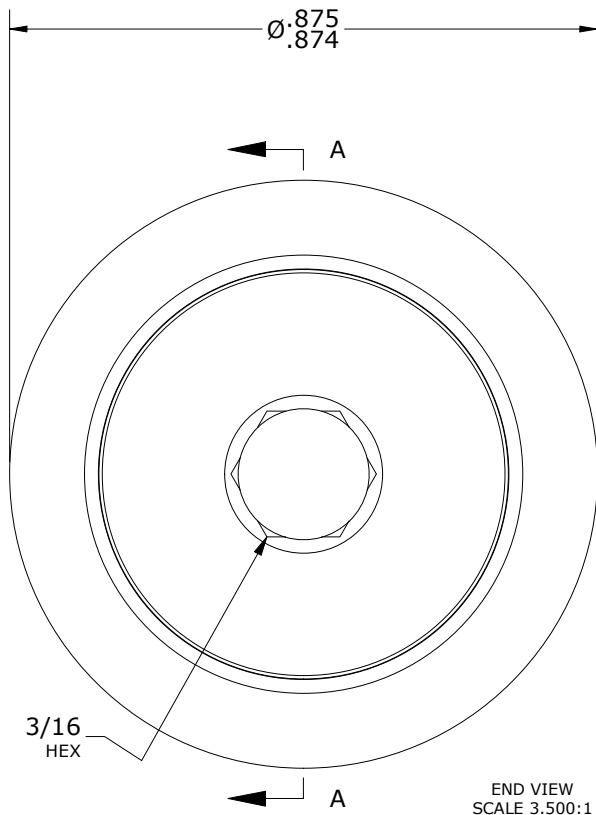
MS NO. \_\_\_\_\_ NSN NO. \_\_\_\_\_ DRAWING NO. SCH-28-SB

RECOMMENDED MOUNTING HOLE Ø		
Limit	Inch	mm
MIN	.4375	11.1125
MAX	.4380	11.1252

- NOTES:
- BEARING IS PACKED WITH NLGI GRADE 2, H1, FOOD GREASE (UNLESS OTHERWISE SPECIFIED)
  - CUSTOM LASER ETCHING UPON REQUEST
  - LIMITING SPEED:  
A. GREASE = 5,400 RPM



MAXIMUM CLAMPING TORQUE**		
Thread Type	Inch Lbs	Nm
LUBRICATED	125	14.1



\*\*TORQUE SPECIFICATION IS BASED ON LUBRICATED THREADS, IF USING DRY THREADS DOUBLE TORQUE VALUE

MATERIAL NOTES:

OUTER RING - 440C STAINLESS STEEL, HEAT TREATED  
 STUD - 440C STAINLESS STEEL, ZONE HARDENED  
 NEEDLE ROLLER(S) - 440C STAINLESS STEEL, HEAT TREATED  
 WASHER - 440C STAINLESS STEEL, HEAT TREATED  
 SEAL(S) - SYNTHETIC

CUSTOMER PART#	XX = ± .01 XXX = ± .005 XXXX = ± .0005 ANGLES = ± 1' INCH [METRIC] FRACTION = ± 1/32
<b>ENGINEERING CHANGE ORDER NOTE</b>	

CARTER MANUFACTURING IS NOT RESPONSIBLE FOR TYPOGRAPHICAL ERRORS

**CARTER MANUFACTURING CO., INC.**  
 GRAND HAVEN, MICHIGAN 49417

REVISION		PART NAME: ASSEMBLY			PRODUCT TYPE: SCH	
<b>C</b>	AUTHOR BY HG	DRAWN BY JAF	CHK'D BY MD	SALES KR	MATERIAL NOTED	
REVISION BY SGW	DATE 6/23/2020	DATE 7/26/2006	DATE 6/23/2020	DATE 5/5/2017	SHEET 1 OF 2	