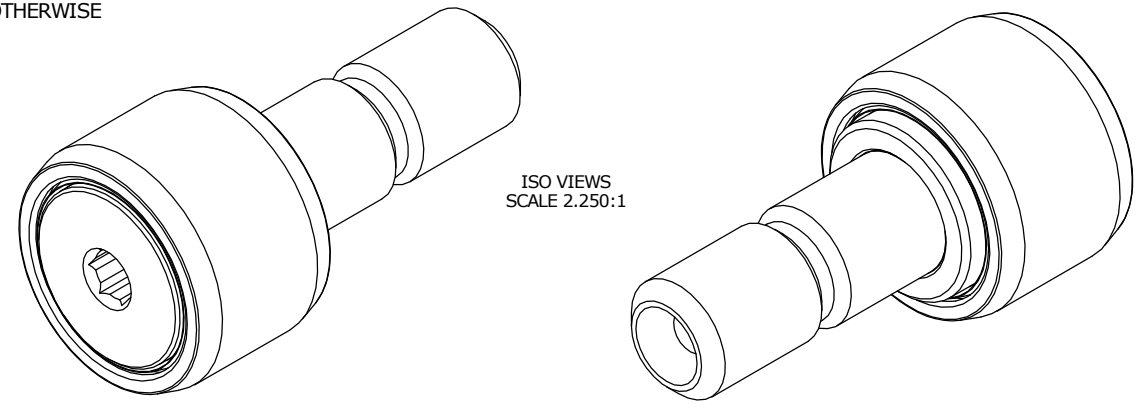


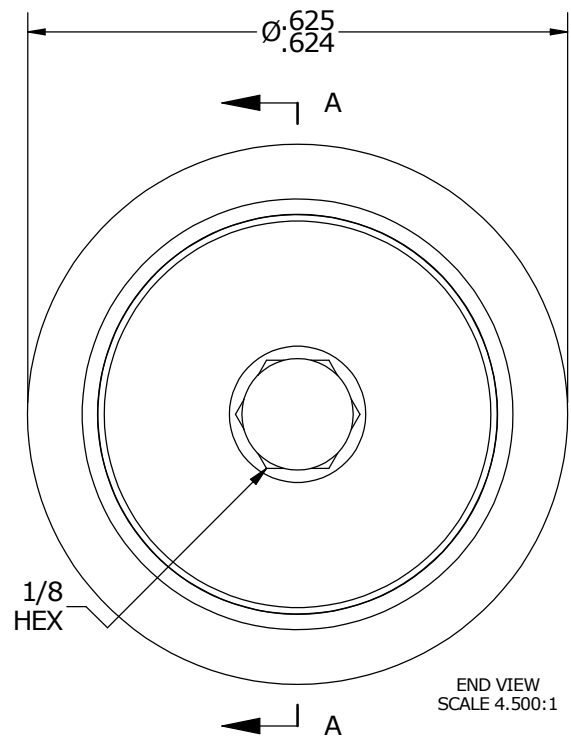
LOAD RATINGS	
RATING	Lbs
RADIAL BASIC DYNAMIC	796
MAXIMUM STATIC CAPACITY	1,736

NOTES:
 1. BEARING COMES PACKED WITH CARTER STANDARD FOOD GRADE H1, NLGI 2 GREASE(UNLESS OTHERWISE SPECIFIED)

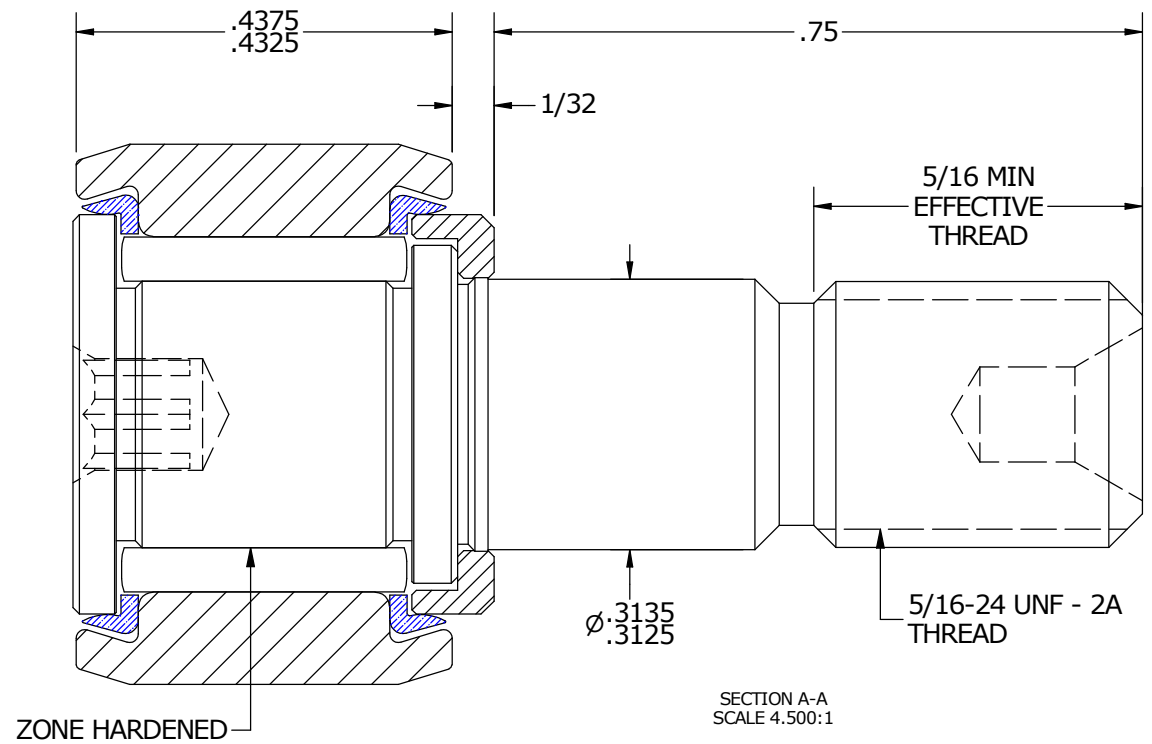
MS NO. _____ NSN NO. _____ DRAWING NO. SCH-20-SB



ISO VIEWS
SCALE 2.250:1



END VIEW
SCALE 4.500:1



SECTION A-A
SCALE 4.500:1

MATERIAL NOTES:
 OUTER RACE - 440C STAINLESS STEEL, HEAT TREATED
 STUD - 440C STAINLESS STEEL, ZONE HARDENED
 WASHER - 440C STAINLESS STEEL, HEAT TREATED
 NEEDLE ROLLER - 440C STAINLESS STEEL, HEAT TREATED
 SEAL - SYNTHETIC

CUSTOMER PART#	XX = ± .01 XXX = ± .005 XXXX = ± .0005 ANGLES = ± 1' INCH [METRIC] FRACTION = ± 1/32
<i>ENGINEERING CHANGE ORDER NOTE</i>	

CARTER MANUFACTURING IS NOT RESPONSIBLE FOR TYPOGRAPHICAL ERRORS	
<i>REVISION</i>	
B	AUTHOR BY HG
REVISION BY SGW	DATE 1/29/2015

CARTER MANUFACTURING CO., INC. GRAND HAVEN, MICHIGAN 49417					
PART NAME: ASSEMBLY					
DRAWN BY JAF	CHK'D BY MD	SALES KR	MATERIAL NOTED		
DATE 7/24/2006	DATE 1/29/2015	DATE 1/29/2015	DATE 1/29/2015	SHEET 1 OF 2	