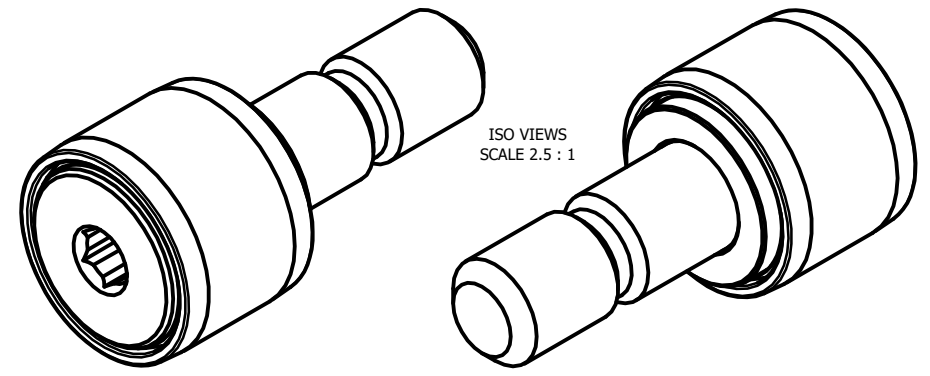
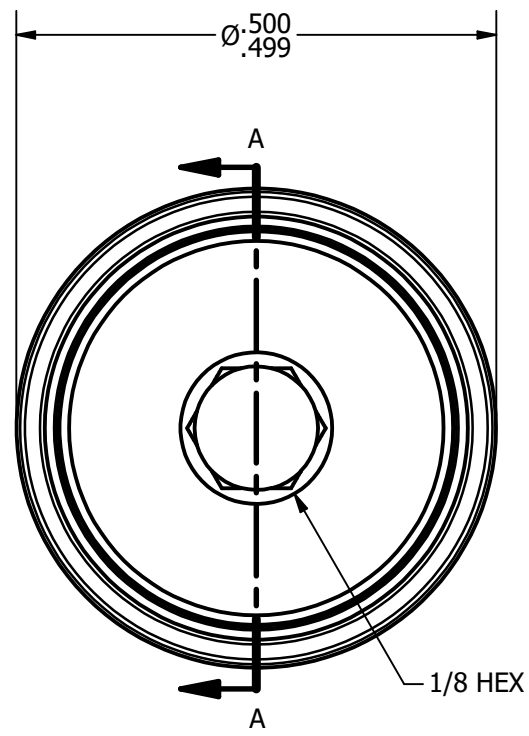


LOAD RATINGS	
RATING	Lbs
RADIAL BASIC DYNAMIC	610
MAXIMUM STATIC CAPACITY	1264

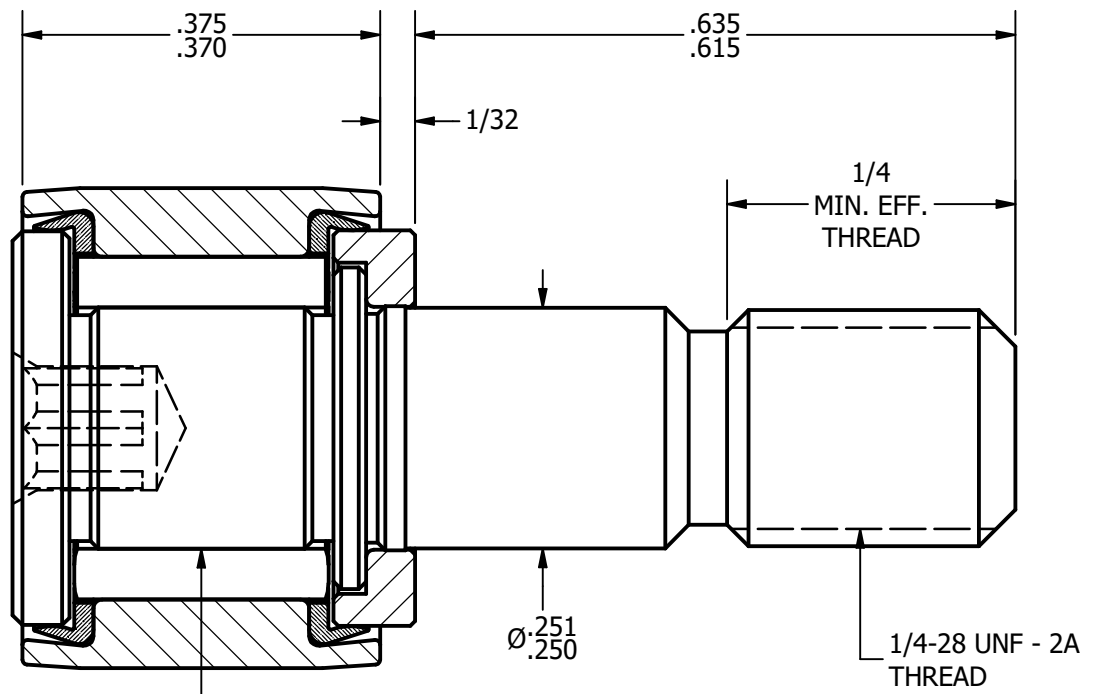
NOTES:
1. BEARING COMES PACKED WITH CARTER STANDARD H1 FOOD GRADE GREASE



ISO VIEWS
SCALE 2.5 : 1



BASE VIEW
SCALE 5 : 1



ZONE HARDENED

SECTION A-A
SCALE 5 : 1

MATERIAL NOTES:
 OUTER RACE - 440C STAINLESS STEEL, HEAT TREATED
 STUD - 440C STAINLESS STEEL, ZONE HARDENED
 NEEDLE ROLLERS - 440C STAINLESS STEEL, HEAT TREATED
 WASHER - 440C STAINLESS STEEL, HEAT TREATED
 SEALS - SYNTHETIC

CUSTOMER PART#	.XX = ± .01 .XXX = ± .005 .XXXX = ± .0005 ANGLES = ± 1' INCH [METRIC] FRACTION = ± 1/32
CHANGE NOTE:	

CARTER MANUFACTURING IS NOT RESPONSIBLE FOR TYPOGRAPHICAL ERRORS	
REVISION	
C	AUTHOR. BY
DB	GJP
REV. BY	DATE
MD	8/1/2011

CARTER MANUFACTURING CO., INC.					
GRAND HAVEN, MICHIGAN 49417					
PART NAME: ASSEMBLY			SHEET 1 OF 2		
SALES	MATERIAL	CHK'D BY	DATE	DATE	DATE
KR	NOTED	SGW	8/1/2011	9/11/2000	8/1/2011
					SCH-16-SB