

LOAD RATINGS

RATING	lbf	Newtons
RADIAL BASIC DYNAMIC	6,472	28,789
MAXIMUM STATIC CAPACITY	8,456	37,614

NOTES:

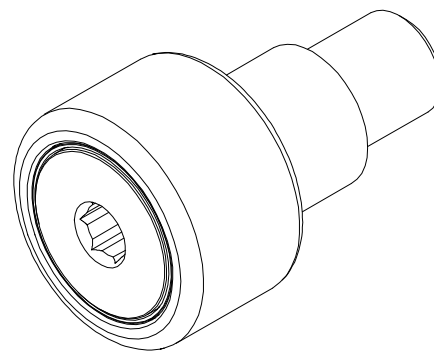
- BEARING IS PACKED WITH NLGI GRADE 2, FOOD GRADE H1 GREASE (UNLESS OTHERWISE SPECIFIED)
- LIMITING SPEED:
  - GREASE = 1,400

RECOMMENDED MOUNTING HOLE Ø

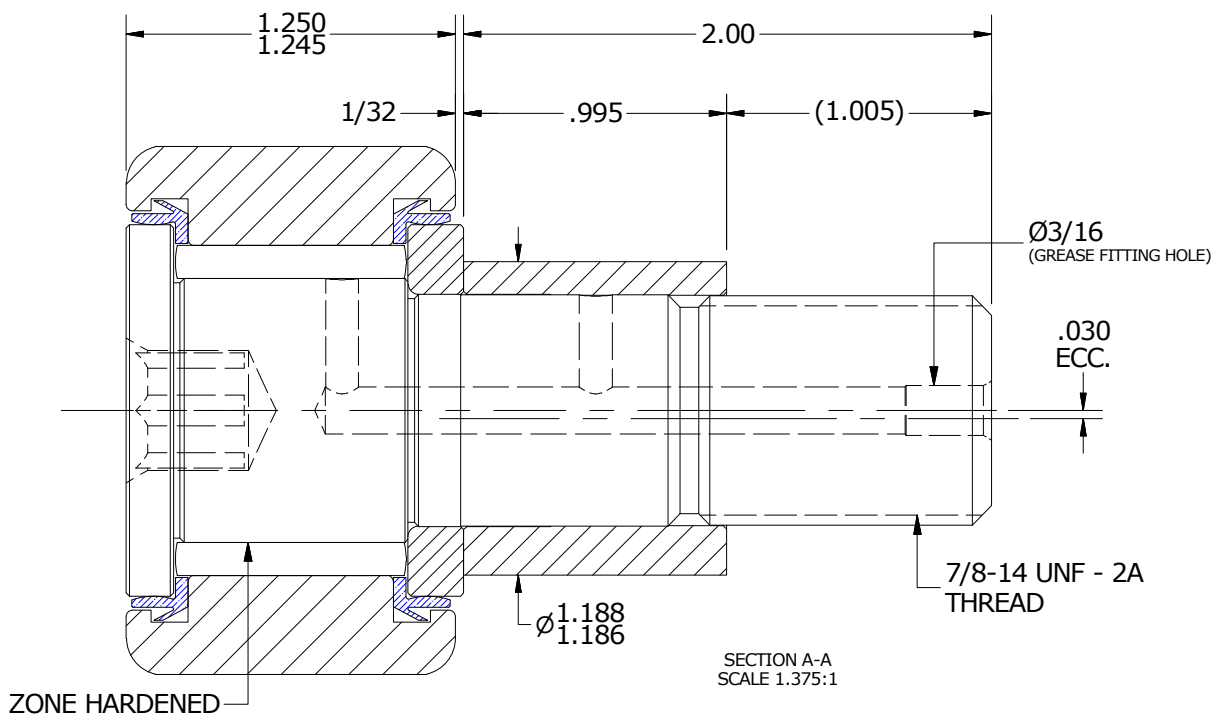
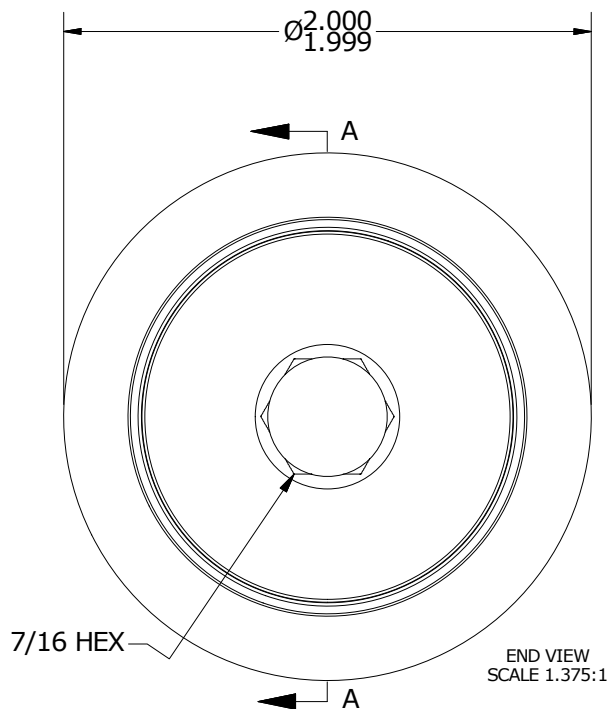
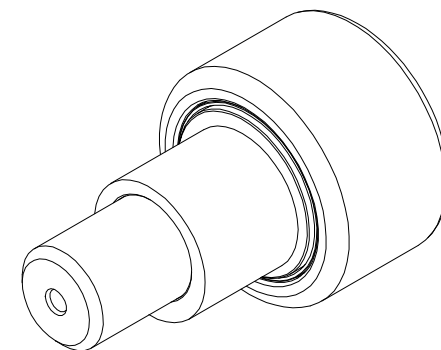
Limit	Inch	mm
MIN	1.189	30.2006
MAX	1.191	30.2514

MAXIMUM CLAMPING TORQUE

Thread Type	Inch Lbs	Nm
DRY	1,500	169.5
LUBRICATED	750	84.7



ISO VIEWS  
SCALE .688:1



MATERIAL NOTES:

- OUTER RING - 440C STAINLESS, HEAT TREATED
- STUD - 440C STAINLESS, ZONE HARDENED
- NEEDLE ROLLER(S) - 440C STAINLESS, HEAT TREATED
- WASHER - 440C STAINLESS, HEAT TREATED
- ECCENTRIC SLEEVE - 300 SERIES STAINLESS STEEL
- SEAL(S) - SYNTHETIC

CUSTOMER PART#

XX = ± .01  
XXX = ± .005  
XXXX = ± .0005  
ANGLES = ± 1'  
INCH [METRIC]  
FRACTION = ± 1/32

CARTER MANUFACTURING IS NOT RESPONSIBLE FOR TYPOGRAPHICAL ERRORS

**CARTER MANUFACTURING CO., INC.**

GRAND HAVEN, MICHIGAN 49417

ENGINEERING CHANGE ORDER NOTE

REVISION

PART NAME: ASSEMBLY

PRODUCT TYPE: CNB / SC

**B**

AUTHOR BY  
HG

DRAWN BY  
EMD

CHK'D BY  
MD

SALES  
KR

MATERIAL  
NOTED

REVISION BY  
JLB  
DATE  
8/9/2018

DATE  
7/26/2006

DATE  
8/9/2018

DATE  
8/7/2018

SHEET  
1 OF 2