

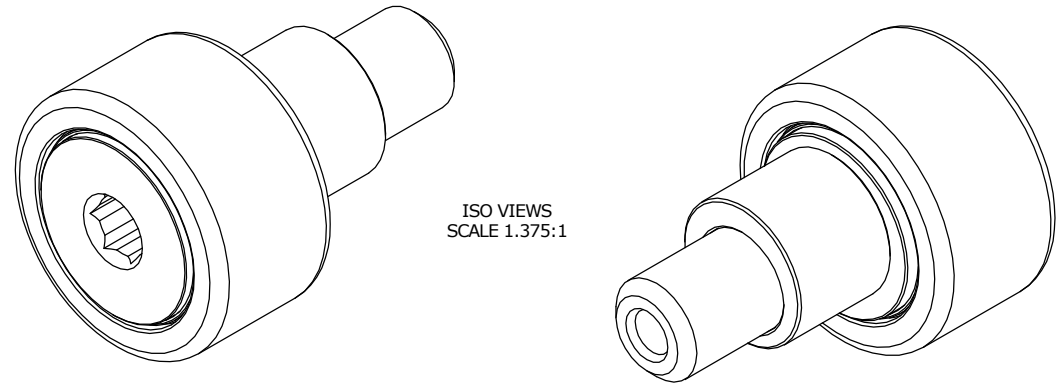
LOAD RATINGS	
RATING	Lbs
RADIAL BASIC DYNAMIC	1,800
MAXIMUM STATIC CAPACITY	2,040

NOTES:  
 1. BEARING COMES PACKED WITH CARTER STANDARD FOOD GRADE H1, NLGI 2 GREASE

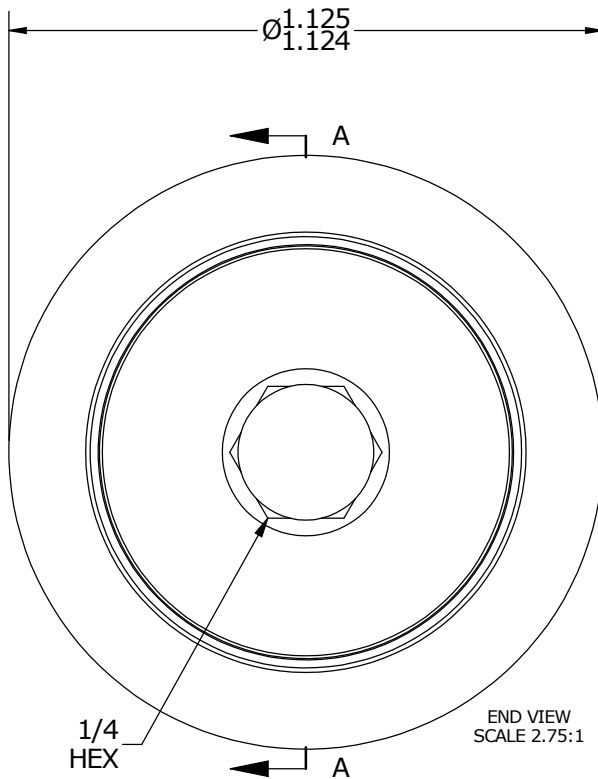
MS NO.

NSN NO.

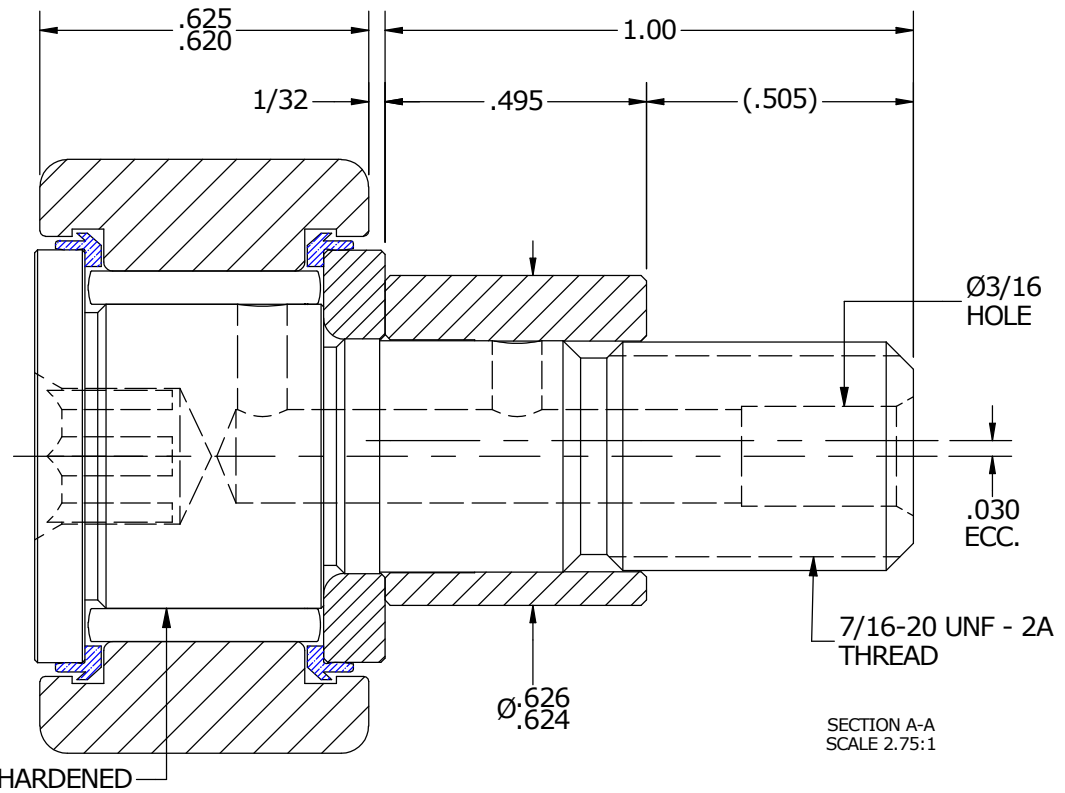
DRAWING NO.



ISO VIEWS  
SCALE 1.375:1



END VIEW  
SCALE 2.75:1



SECTION A-A  
SCALE 2.75:1

MATERIAL NOTES:

OUTER RACE - 440C STAINLESS STEEL, HEAT TREATED  
 STUD - 440C STAINLESS STEEL, ZONE HARDENED  
 WASHER - 440C STAINLESS STEEL, HEAT TREATED  
 NEEDLE ROLLER - 440C STAINLESS STEEL, HEAT TREATED  
 ECCENTRIC SLEEVE - 300 SERIES STAINLESS STEEL  
 SEAL - SYNTHETIC

CUSTOMER PART#

XX = ± .01  
 XXX = ± .005  
 XXXX = ± .0005  
 ANGLES = ± 1'  
 INCH [METRIC]  
 FRACTION = ± 1/32

CARTER MANUFACTURING IS NOT RESPONSIBLE FOR TYPOGRAPHICAL ERRORS

**CARTER MANUFACTURING CO., INC.**  
 GRAND HAVEN, MICHIGAN 49417

ENGINEERING CHANGE ORDER NOTE

REVISION

PART NAME: ASSEMBLY

REVISION	AUTHOR BY	DRAWN BY	CHK'D BY	SALES	MATERIAL
B	DB	EMD	MD	KR	NOTED
REVISION BY	DATE	DATE	DATE	DATE	SHEET
SGW	7/8/2013	7/26/2006	7/8/2013	7/10/2013	1 OF 2