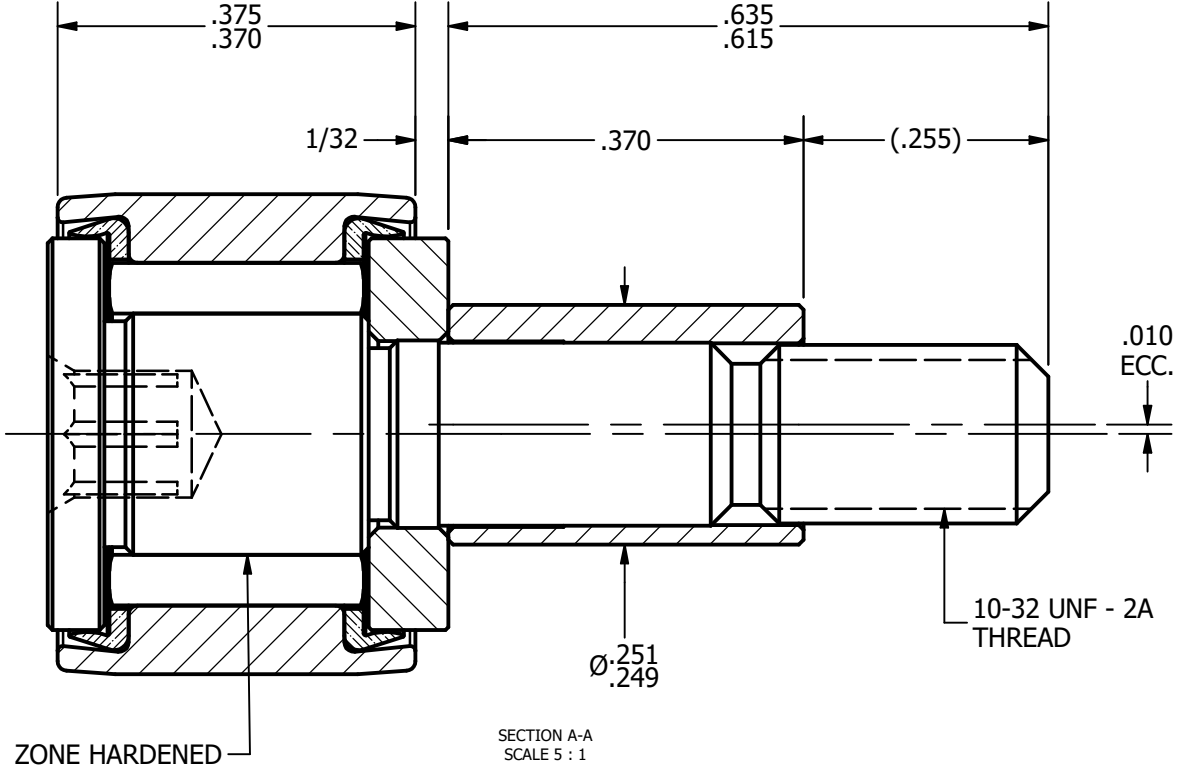
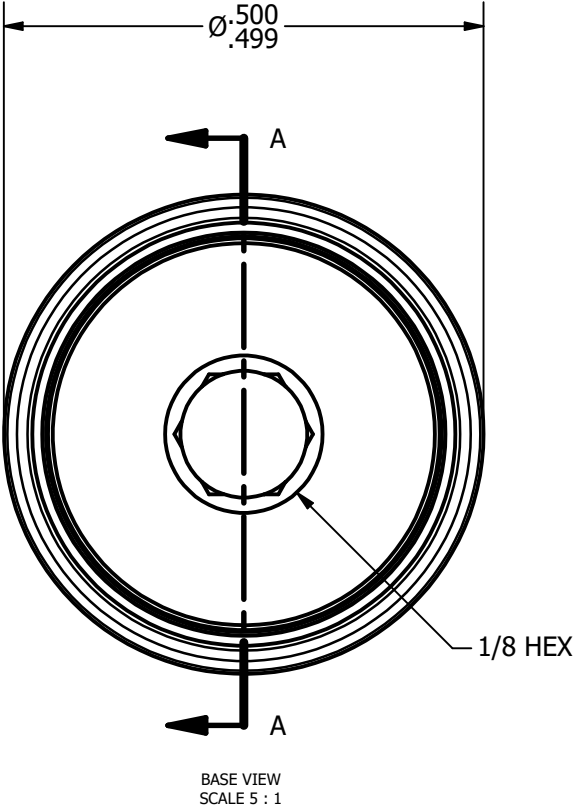
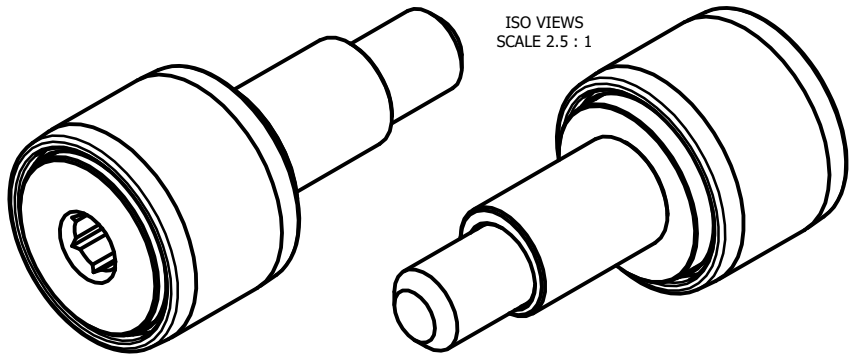


LOAD RATINGS	
RATING	Lbs
RADIAL BASIC DYNAMIC [C]	610
MAXIMUM STATIC CAPACITY [Co]	300

NOTES:
 1. BEARING COMES PACKED WITH CARTER STANDARD H1 FOOD GRADE GREASE



MATERIAL NOTES:
 OUTER RACE - 440C STAINLESS STEEL, HEAT TREATED
 STUD - 440C STAINLESS STEEL, ZONE HARDENED
 NEEDLE ROLLERS - 440C STAINLESS STEEL, HEAT TREATED
 WASHER - 440C STAINLESS STEEL, HEAT TREATED
 ECCENTRIC SLEEVE - 303 STAINLESS STEEL
 SEALS - SYNTHETIC

CUSTOMER PART#	.XX = ± .01 .XXX = ± .005 .XXXX = ± .0005 ANGLES = ± 1' INCH [METRIC] FRACTION = ± 1/32
CHANGE NOTE:	

CARTER MANUFACTURING IS NOT RESPONSIBLE FOR TYPOGRAPHICAL ERRORS	
REVISION	
B	AUTHOR. BY DB
REV. BY	DATE
MD	9/21/2011

CARTER MANUFACTURING CO., INC.					
GRAND HAVEN, MICHIGAN 49417					
PART NAME: ASSEMBLY			SHEET 1 OF 2		
	AUTHOR. BY	DRAWN BY	CHK'D BY	SALES	MATERIAL
	DB	EMD	SGW	KPR	NOTED
	DATE	DATE	DATE	DATE	DRAWING NO.
	9/21/2011	7/24/2006	9/21/2011	7/23/2006	SCE-16-SB