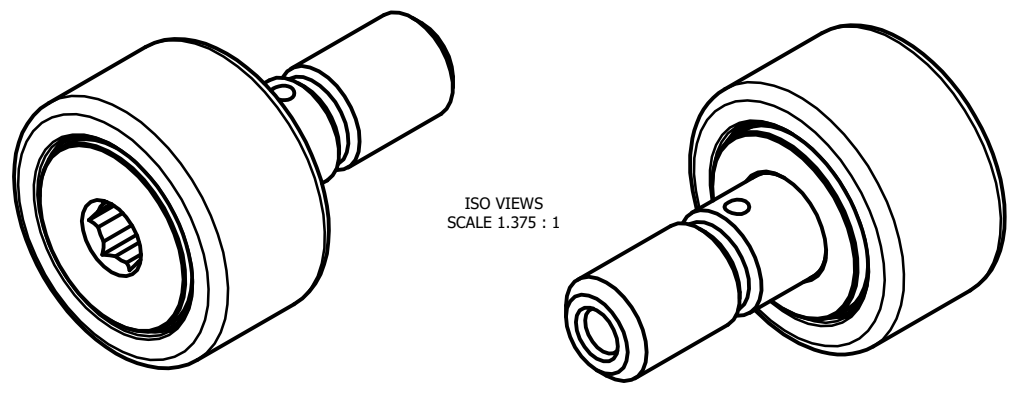
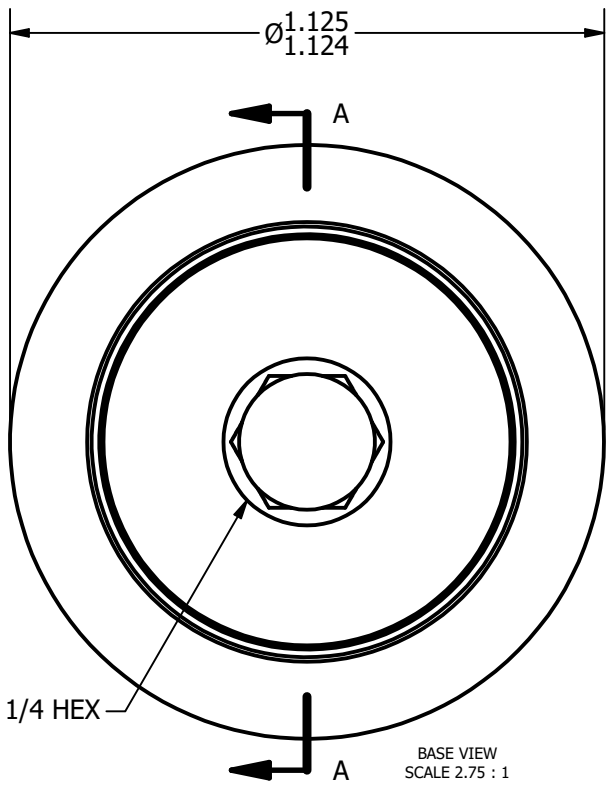


LOAD RATINGS	
RATING	Lbs
RADIAL BASIC DYNAMIC	1,800
MAXIMUM STATIC CAPACITY	2,040

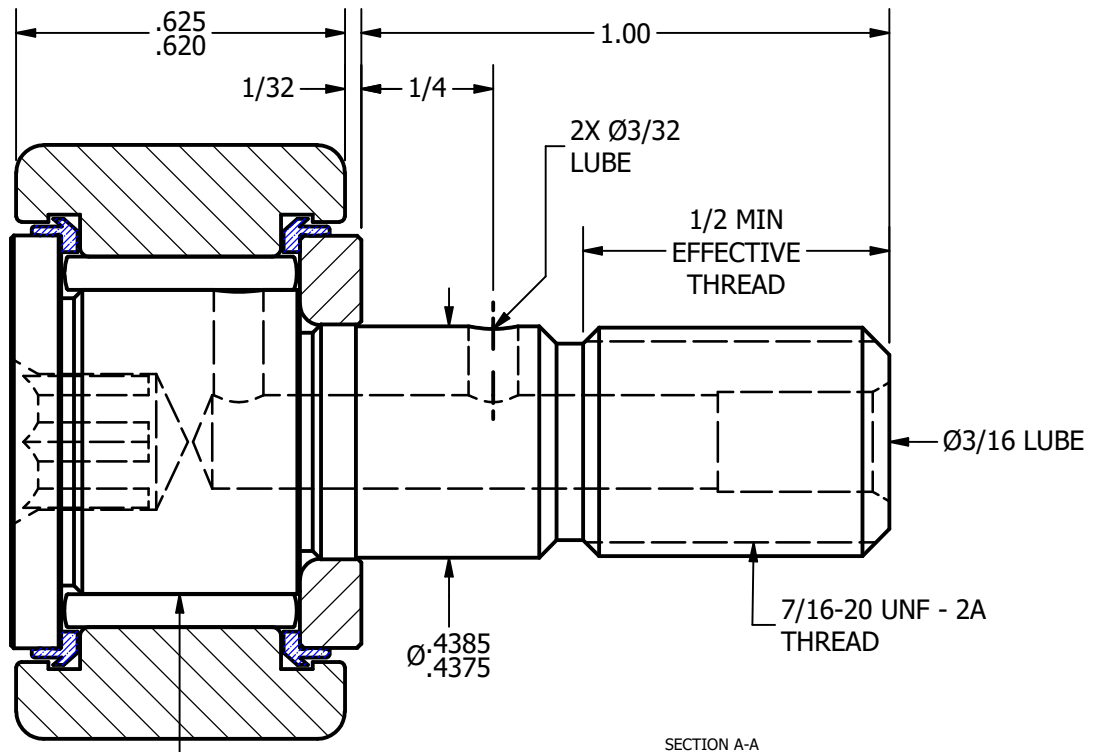
NOTES:  
 1. BEARING COMES PACKED WITH CARTER STANDARD H1 FOOD GRADE GREASE



ISO VIEWS  
 SCALE 1.375 : 1



BASE VIEW  
 SCALE 2.75 : 1



SECTION A-A  
 SCALE 2.75 : 1

MATERIAL NOTES:  
 OUTER RACE - 440C STAINLESS STEEL, HEAT TREATED  
 STUD - 440C STAINLESS STEEL, ZONE HARDENED  
 NEEDLE ROLLERS - 440C STAINLESS STEEL, HEAT TREATED  
 WASHER - 440C STAINLESS STEEL, HEAT TREATED  
 SEALS - SYNTHETIC

CUSTOMER PART#	.XX = ± .01 .XXX = ± .005 .XXXX = ± .0005 ANGLES = ± 1' INCH [METRIC] FRACTION = ± 1/32
CHANGE NOTE:	

CARTER MANUFACTURING IS NOT RESPONSIBLE FOR TYPOGRAPHICAL ERRORS	
REVISION	
<b>C</b>	AUTHOR. BY DB
REV. BY	DATE
SGW	7/8/2013

<b>CARTER MANUFACTURING CO., INC.</b>					
GRAND HAVEN, MICHIGAN 49417					
PART NAME: ASSEMBLY			SHEET 1 OF 2		
	AUTHOR. BY	DRAWN BY	CHK'D BY	SALES	MATERIAL
	DB	AJH	MD	KR	NOTED
	DATE	DATE	DATE	DATE	DRAWING NO.
	7/8/2013	8/13/2000	7/8/2013	7/11/2013	SC-36-SB