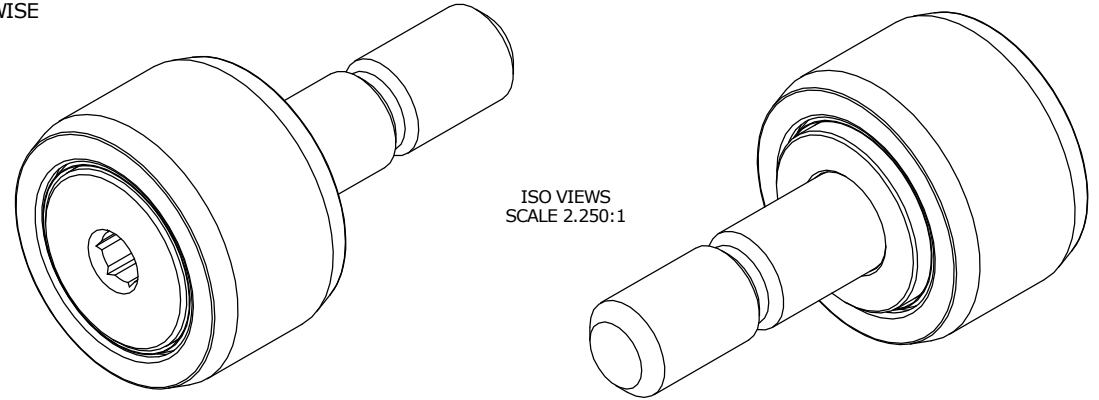


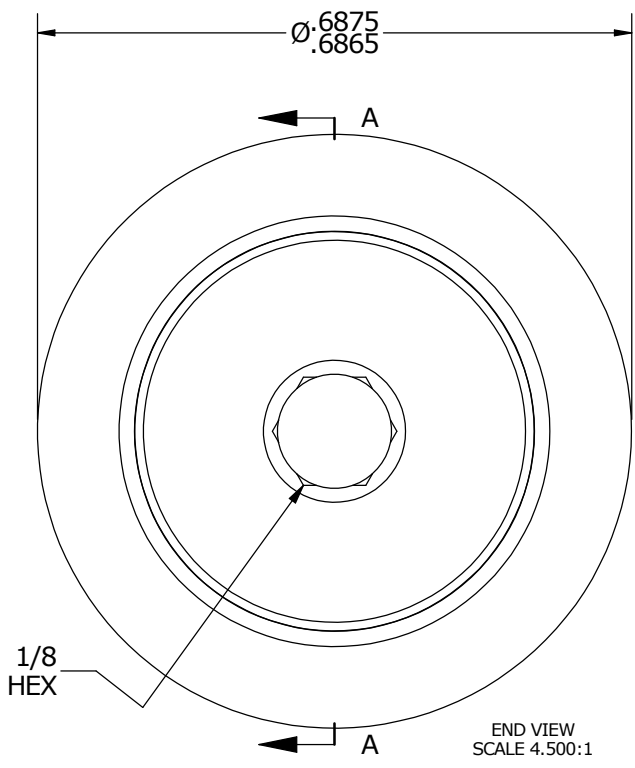
LOAD RATINGS	
RATING	Lbs
RADIAL BASIC DYNAMIC	796
MAXIMUM STATIC CAPACITY	927

NOTES:
 1. BEARING COMES PACKED WITH CARTER STANDARD FOOD GRADE H1, NLGI 2 GREASE(UNLESS OTHERWISE SPECIFIED)

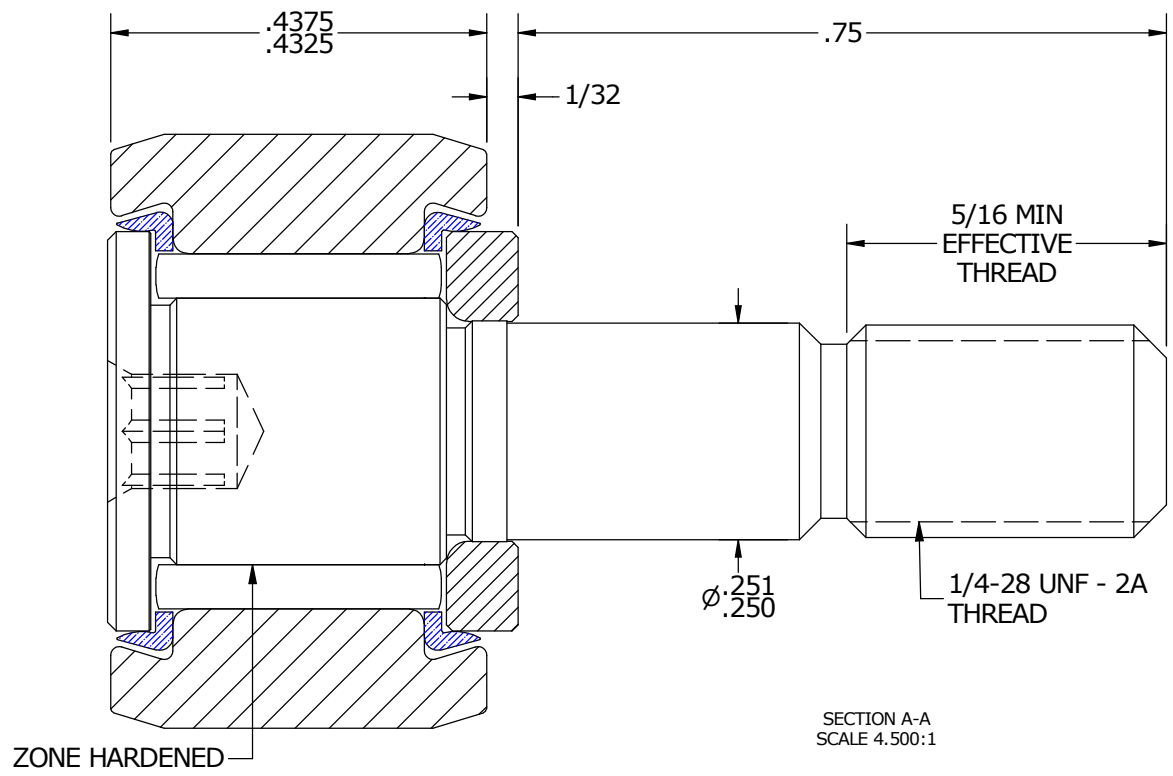
MS NO. _____ NSN NO. _____ DRAWING NO. SC-22-SB



ISO VIEWS
SCALE 2.250:1



END VIEW
SCALE 4.500:1



SECTION A-A
SCALE 4.500:1

MATERIAL NOTES:
 OUTER RACE - 440C STAINLESS STEEL, HEAT TREATED
 STUD - 440C STAINLESS STEEL, ZONE HARDENED
 WASHER - 440C STAINLESS STEEL, HEAT TREATED
 NEEDLE ROLLER - 440C STAINLESS STEEL, HEAT TREATED
 SEAL - SYNTHETIC

CUSTOMER PART# _____
 XX = ± .01
 XXX = ± .005
 XXXX = ± .0005
 ANGLES = ± 1'
 INCH [METRIC]
 FRACTION = ± 1/32

CARTER MANUFACTURING IS NOT RESPONSIBLE FOR TYPOGRAPHICAL ERRORS

CARTER MANUFACTURING CO., INC.
 GRAND HAVEN, MICHIGAN 49417

ENGINEERING CHANGE ORDER NOTE

REVISION		PART NAME: ASSEMBLY			
REVISION BY	DATE	DRAWN BY	CHK'D BY	SALES	MATERIAL
B	HG	AJH	MD	KR	NOTED
SGW	1/29/2015	8/15/2001	1/23/2015	1/29/2015	SHEET
					1 OF 2