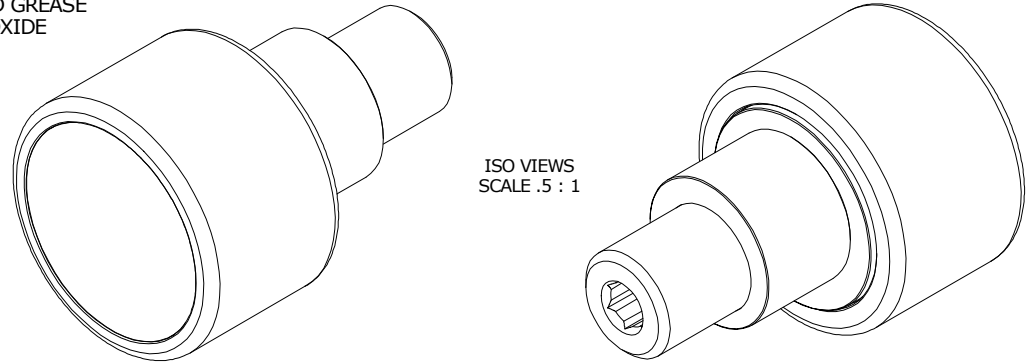
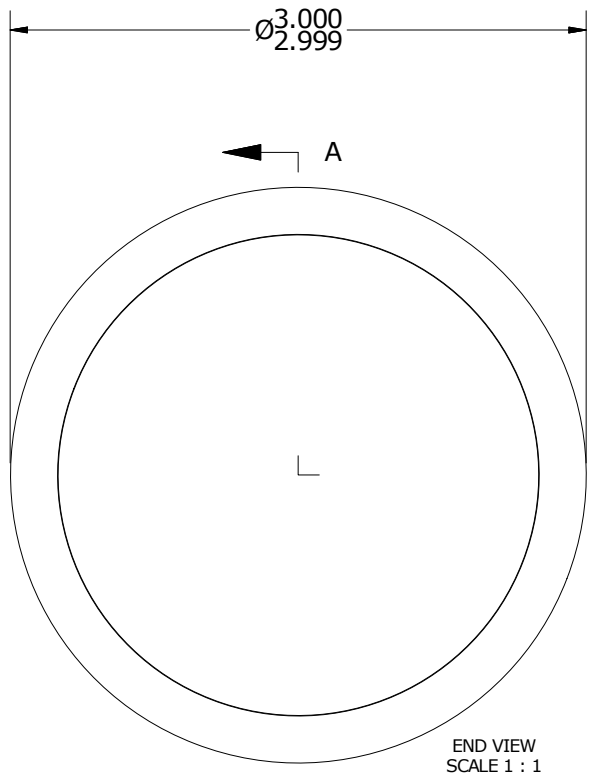


LOAD RATINGS	
RATING	Lbs
RADIAL BASIC DYNAMIC	14,200
DYNAMIC THRUST LOAD	13,000
MAXIMUM STATIC CAPACITY	26,000

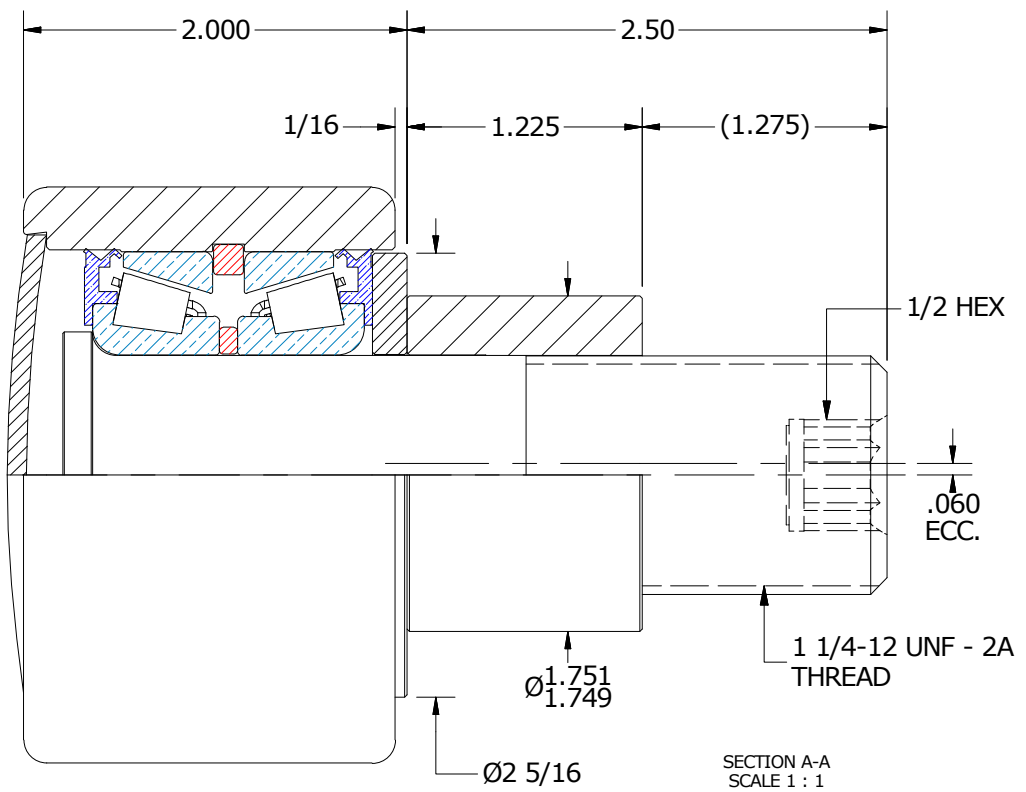
- NOTES:  
 1. BEARING IS PACKED WITH NLGI GRADE 2, LITHIUM BASED GREASE  
 2. STUD & WASHER: ALL EXPOSED SURFACES HAVE BLACK OXIDE



ISO VIEWS  
SCALE .5 : 1



END VIEW  
SCALE 1 : 1



SECTION A-A  
SCALE 1 : 1

MATERIAL NOTES:  
 OUTER ROLLER - BEARING STEEL, HEAT TREATED  
 STUD - COLD ROLLED STEEL  
 BEARING ASSY - LM67000LA-902A2  
 WASHER - COLD ROLLED STEEL  
 END CAP - COLD ROLLED STEEL  
 ECCENTRIC SLEEVE - COLD ROLLED STEEL

CUSTOMER PART# \_\_\_\_\_  
 XX = ± .01  
 XXX = ± .005  
 XXXX = ± .0005  
 ANGLES = ± 1'  
 INCH [METRIC]  
 FRACTION = ± 1/32

CARTER MANUFACTURING IS NOT RESPONSIBLE FOR TYPOGRAPHICAL ERRORS

**CARTER MANUFACTURING CO., INC.**  
 GRAND HAVEN, MICHIGAN 49417

ENGINEERING CHANGE ORDER NOTE

REVISION		PART NAME: ASSEMBLY					
<b>C</b>	AUTHOR BY HG	DRAWN BY JGV	CHK'D BY SGW	SALES KR	MATERIAL NOTED		
REVISION BY MD	DATE 12/21/2015	DATE 3/8/2004	DATE 12/21/2015	DATE 5/9/2010	SHEET 1 OF 2		