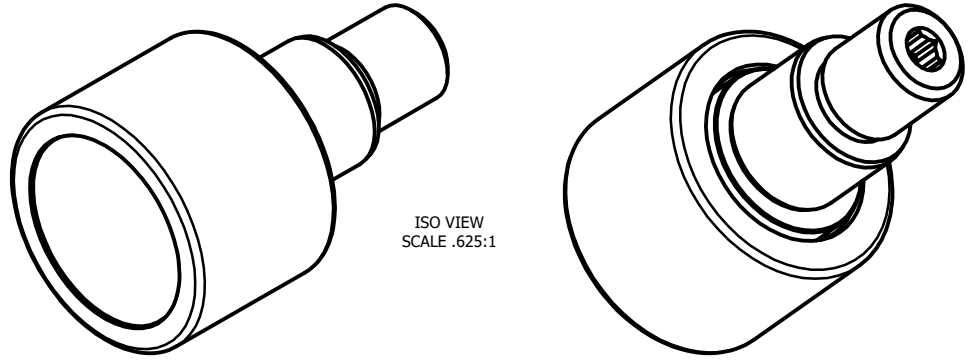


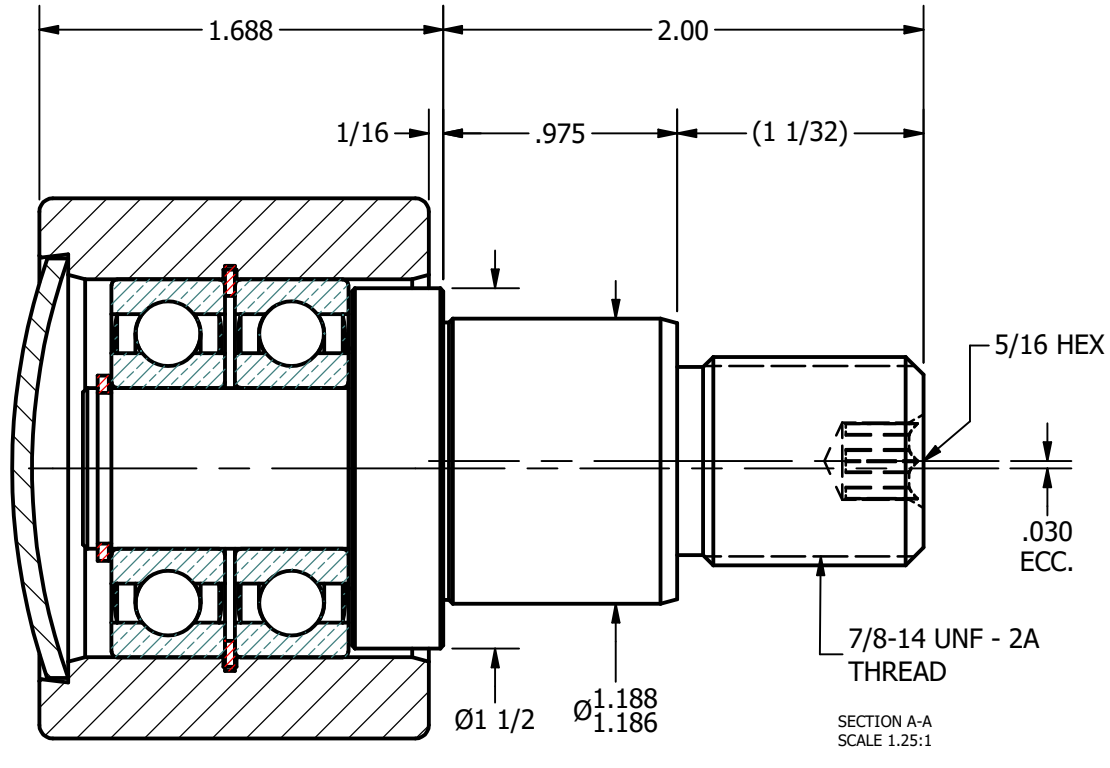
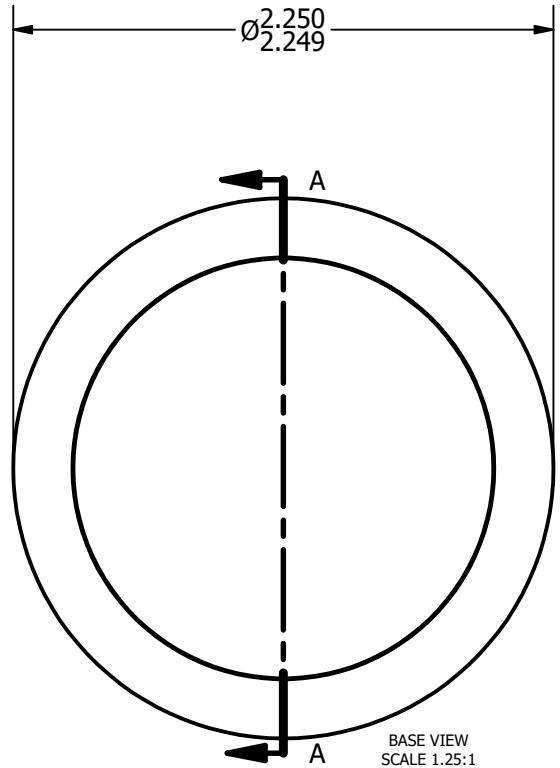
LOAD RATINGS	
RATING	Lbs
RADIAL BASIC DYNAMIC	3,890
DYNAMIC THRUST LOAD	1,000
MAXIMUM STATIC CAPACITY	2,000

W/S/N NO. _____ DRAWING NO. PHRE-225-A

NOTES:
1. BALL BEARINGS COME PRE-PACKED WITH GREASE



ISO VIEW
SCALE .625:1



MATERIAL NOTES:
 OUTER - BEARING STEEL, HEAT TREATED
 STUD - BEARING STEEL
 BEARING ASSEMBLIES - 6203.2RS
 SNAP RINGS - SPRING STEEL
 END CAP - COLD ROLLED STEEL

CUSTOMER PART#	.XX = ± .01 .XXX = ± .005 .XXXX = ± .0005 ANGLES = ± 1' INCH [METRIC]
CHANGE NOTE:	

CARTER MANUFACTURING IS NOT RESPONSIBLE FOR TYPOGRAPHICAL ERRORS

REVISION	
A	AUTHOR. BY DB
REV. BY	DATE
MD	5/11/2009

CARTER MANUFACTURING CO., INC.
 GRAND HAVEN, MICHIGAN 49417

PART NAME: ASSEMBLY					SHEET 1 OF 2
AUTHOR. BY	DRAWN BY	CHK'D BY	SALES	MATERIAL	
DB	MD	SGW	KR	NOTED	
DATE	DATE	DATE	DATE	DRAWING NO.	
5/11/2009	5/11/2009	5/11/2009	5/11/2009	PHRE-225-A	