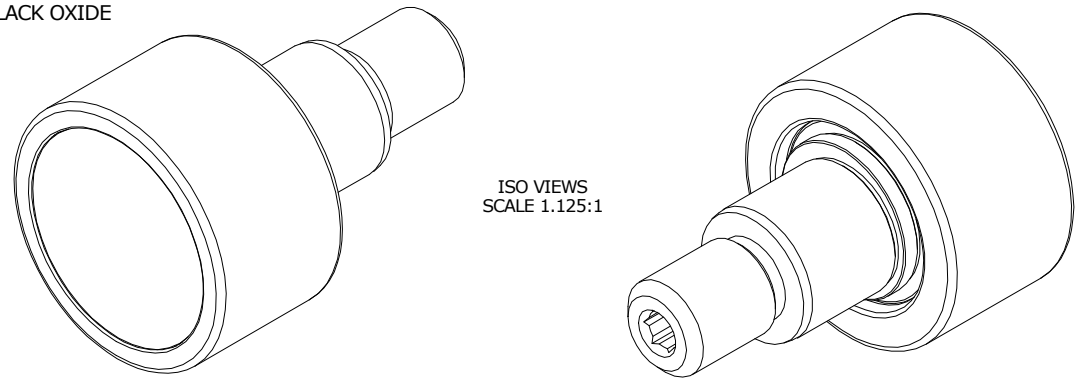


LOAD RATINGS	
RATING	Lbs
RADIAL BASIC DYNAMIC	1,350
STATIC THRUST LOAD	370
MAXIMUM STATIC CAPACITY	600

NOTES:
 1. BALL BEARING(S) COME PRE-PACKED WITH GREASE
 2. STUD & ENDCAP: ALL EXPOSED SURFACES HAVE BLACK OXIDE

MS NO. _____ NSN NO. _____ DRAWING NO. PHRE-137-A

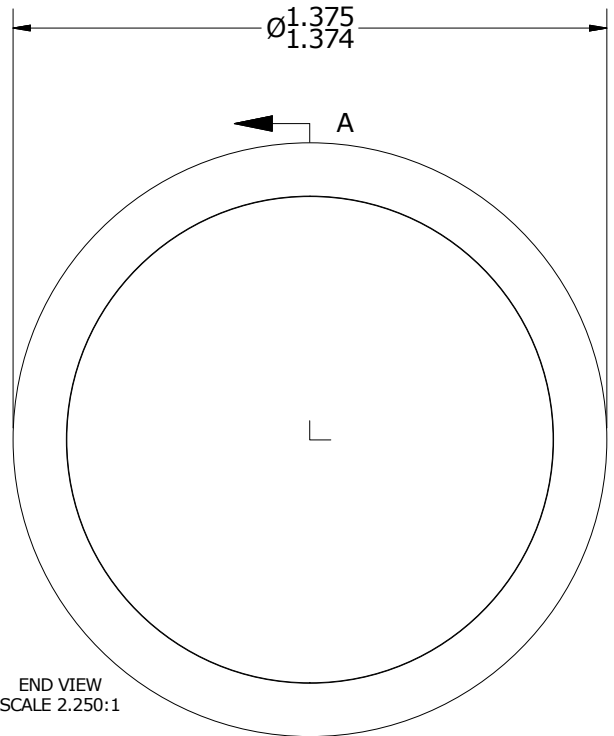


ISO VIEWS
SCALE 1.125:1

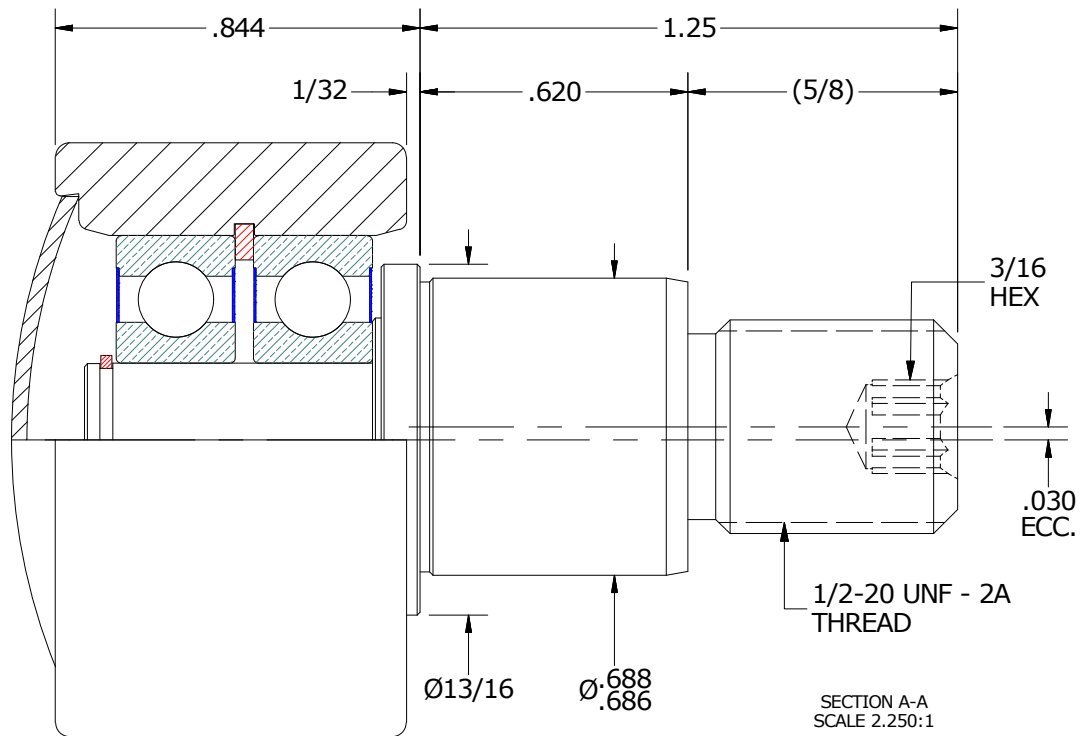
SIGNED DRAWING APPROVAL REQUIRED

PLEASE REVIEW AND VERIFY INFORMATION ON ALL SHEETS & RETURN COPY WITH SIGNED AND DATED APPROVAL, AND/OR REQUIRED CHANGES. CARTER WILL NOT PROCEED WITH ORDER UNTIL APPROVAL IS RECEIVED

SIGNED _____ DATE _____ APPROVED REJECTED



END VIEW
SCALE 2.250:1



SECTION A-A
SCALE 2.250:1

MATERIAL NOTES:

OUTER ROLLER- BEARING STEEL, HEAT TREATED
 STUD - COLD ROLLED STEEL
 BEARING ASSY. - 609.2RS
 REATAINING RINGS - SPRING STEEL
 END CAP - COLD ROLLED STEEL

CUSTOMER PART# _____

XX = ± .01
 XXX = ± .005
 XXXX = ± .0005
 ANGLES = ± 1'
 INCH [METRIC]
 FRACTION = ± 1/32

CARTER MANUFACTURING IS NOT RESPONSIBLE FOR TYPOGRAPHICAL ERRORS

CARTER MANUFACTURING CO., INC.
 GRAND HAVEN, MICHIGAN 49417

ENGINEERING CHANGE ORDER NOTE

REVISION _____ PART NAME: ASSEMBLY

REVISION	AUTHOR BY	DRAWN BY	CHK'D BY	SALES	MATERIAL
A	HG	SGW	MD	KR	NOTED
REVISION BY	DATE	DATE	DATE	DATE	SHEET
SGW	10/3/2014	10/2/2014	10/7/2014	10/3/2014	1 OF 2