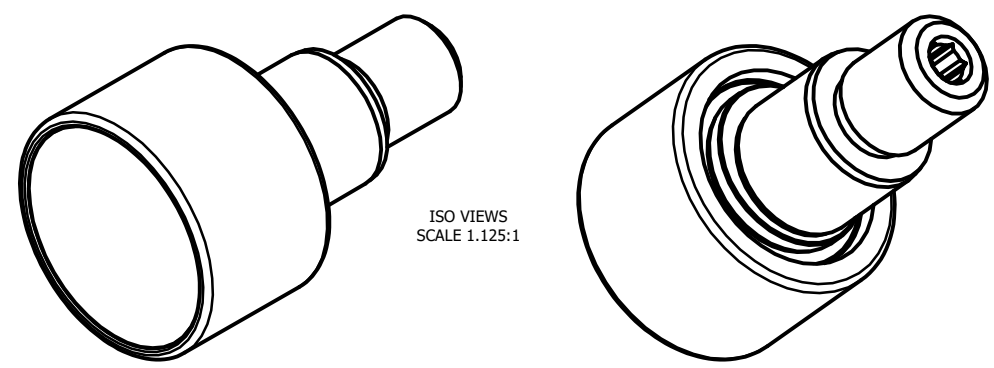
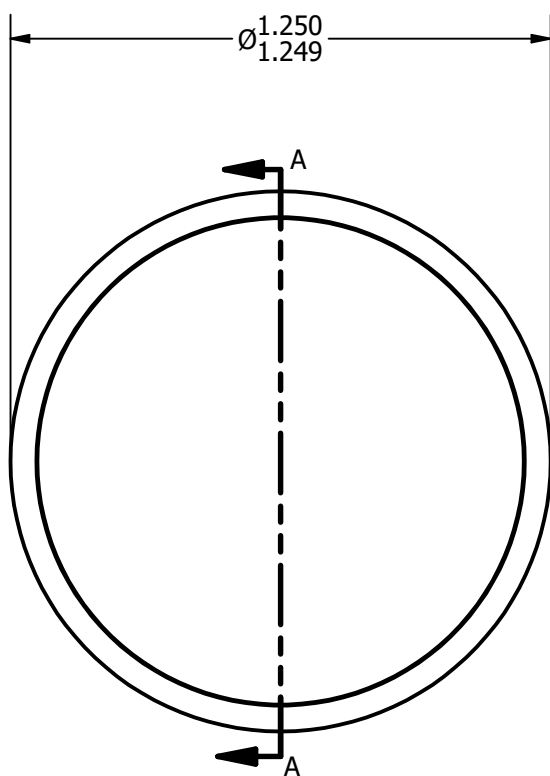


| LOAD RATINGS | |
|-------------------------|-------|
| RATING | Lbs |
| RADIAL BASIC DYNAMIC | 1,350 |
| STATIC THRUST LOAD | 370 |
| MAXIMUM STATIC CAPACITY | 600 |

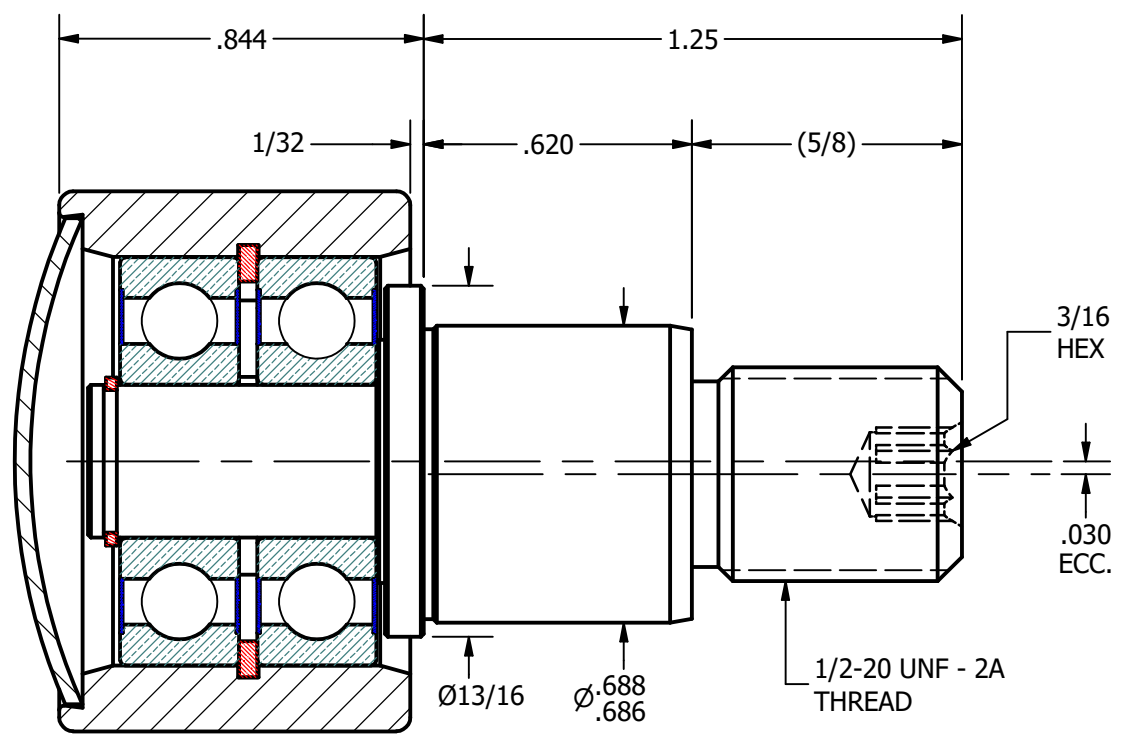
NOTES:
1. BALL BEARINGS COME PRE-PACKED WITH GREASE



ISO VIEWS
SCALE 1.125:1



BASE VIEW (END)
SCALE 2.25:1



SECTION A-A
SCALE 2.25:1

MATERIAL NOTES:
 OUTER - BEARING STEEL, HEAT TREATED
 STUD - COLD ROLLED STEEL
 BEARING ASSY. - 609.2RS
 SNAP RINGS - SPRING STEEL
 END CAP - COLD ROLLED STEEL

| | |
|----------------|---|
| CUSTOMER PART# | .XX = ± .01 .XXX = ± .005 .XXXX = ± .0005 ANGLES = ± 1' INCH [METRIC] |
| CHANGE NOTE: | |

CARTER MANUFACTURING IS NOT RESPONSIBLE FOR TYPOGRAPHICAL ERRORS

| REVISION | |
|----------|-----------|
| A | |
| REV. BY | DATE |
| SGW | 4/24/2009 |

CARTER MANUFACTURING CO., INC.
 GRAND HAVEN, MICHIGAN 49417

| | | | | | |
|---------------------|-----------|-----------|-----------|--------------|-------------|
| PART NAME: ASSEMBLY | | | | SHEET 1 OF 2 | |
| AUTHOR. BY | DRAWN BY | CHK'D BY | SALES | MATERIAL | |
| DB | SGW | MD | KR | NOTED | |
| REV. BY | DATE | DATE | DATE | DATE | DRAWING NO. |
| SGW | 4/24/2009 | 4/22/2009 | 4/24/2009 | 4/22/2009 | PHRE-125-A |