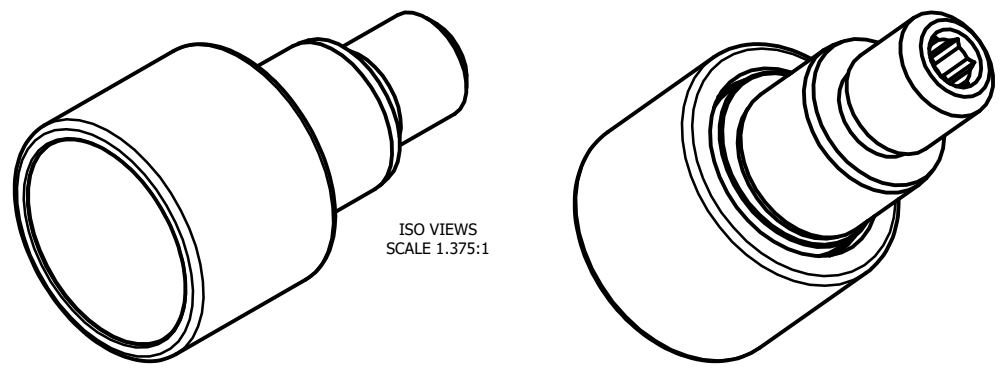
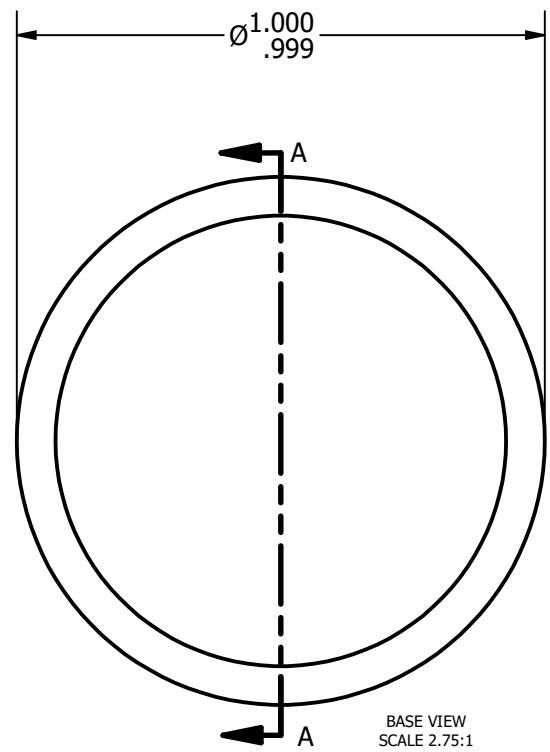


LOAD RATINGS	
RATING	Lbs
RADIAL BASIC DYNAMIC	630
STATIC THRUST LOAD	140
MAXIMUM STATIC CAPACITY	230

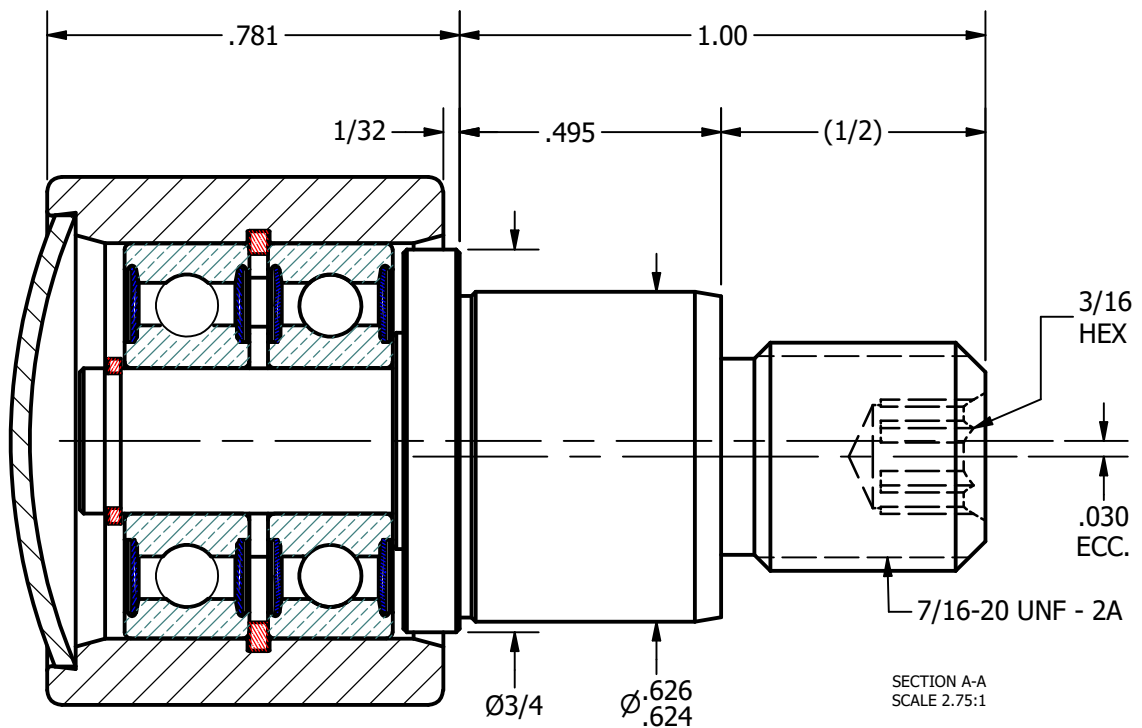
NOTES:  
 1. BALL BEARINGS COME PRE-PACKED WITH GREASE



ISO VIEWS  
 SCALE 1.375:1



BASE VIEW  
 SCALE 2.75:1



SECTION A-A  
 SCALE 2.75:1

**MATERIAL NOTES:**  
 OUTER - BEARING STEEL, HEAT TREATED  
 STUD - COLD ROLLED STEEL  
 BEARING ASSY. - 607.2RS  
 SNAP RINGS - SPRING STEEL  
 END CAP - COLD ROLLED STEEL

CUSTOMER PART#	.XX = ± .01 .XXX = ± .005 .XXXX = ± .0005 ANGLES = ± 1' INCH [METRIC]
CHANGE NOTE:	

CARTER MANUFACTURING IS NOT RESPONSIBLE FOR TYPOGRAPHICAL ERRORS	
REVISION	
<b>A</b>	AUTHOR. BY DB
REV. BY	DATE
SGW	4/22/2009

<b>CARTER MANUFACTURING CO., INC.</b>					
GRAND HAVEN, MICHIGAN 49417					
PART NAME: ASSEMBLY			SHEET 1 OF 2		
	AUTHOR. BY	DRAWN BY	CHK'D BY	SALES	MATERIAL
	DB	SGW	MD	KR	NOTED
	DATE	DATE	DATE	DATE	DRAWING NO.
	SGW	4/20/2009	4/22/2009	4/20/2009	PHRE-100-A