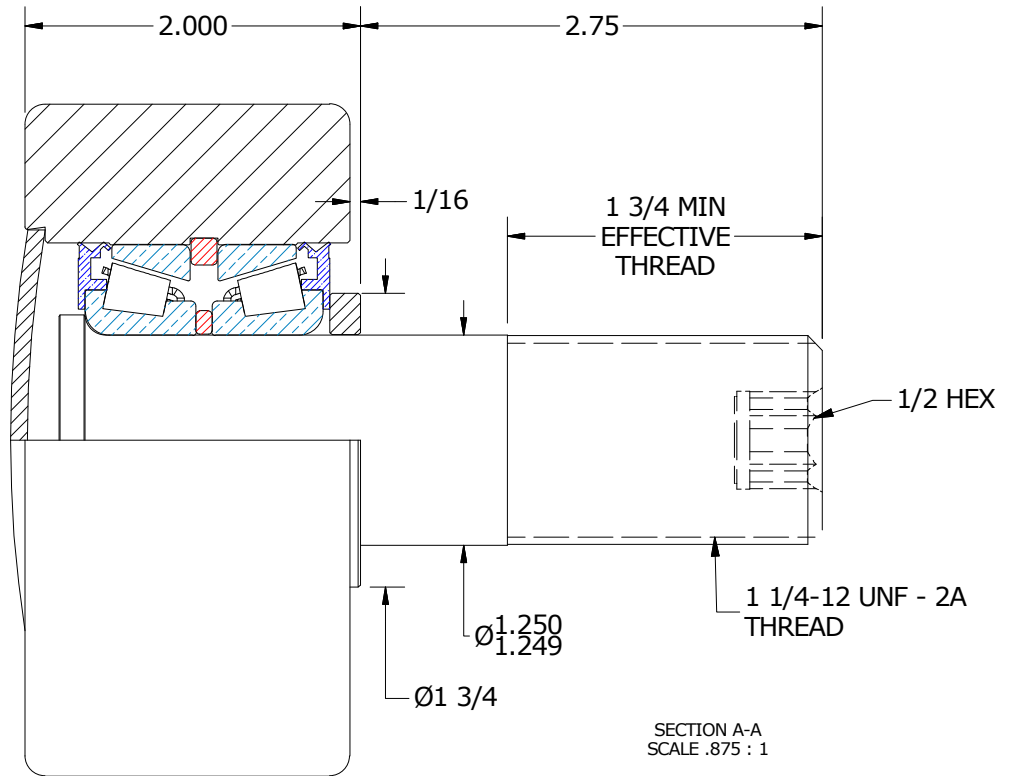
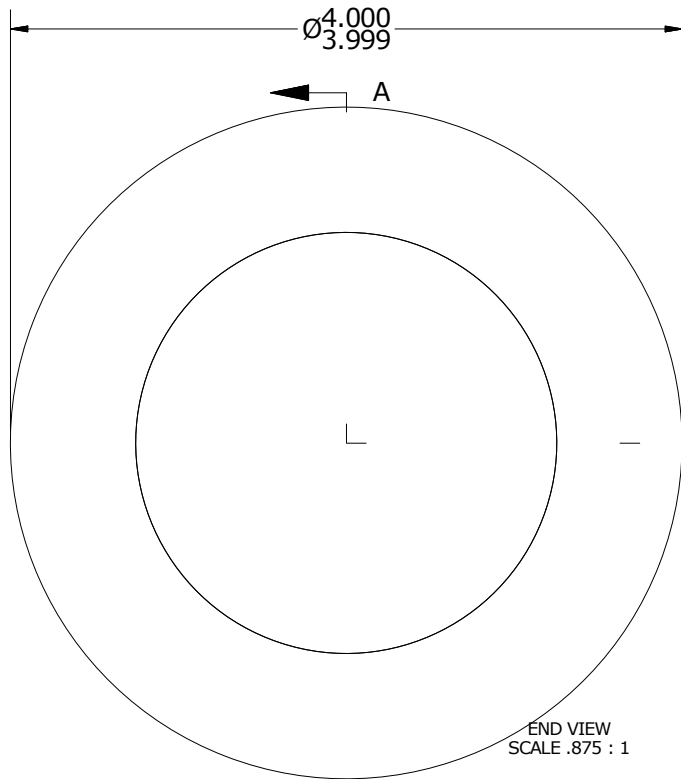
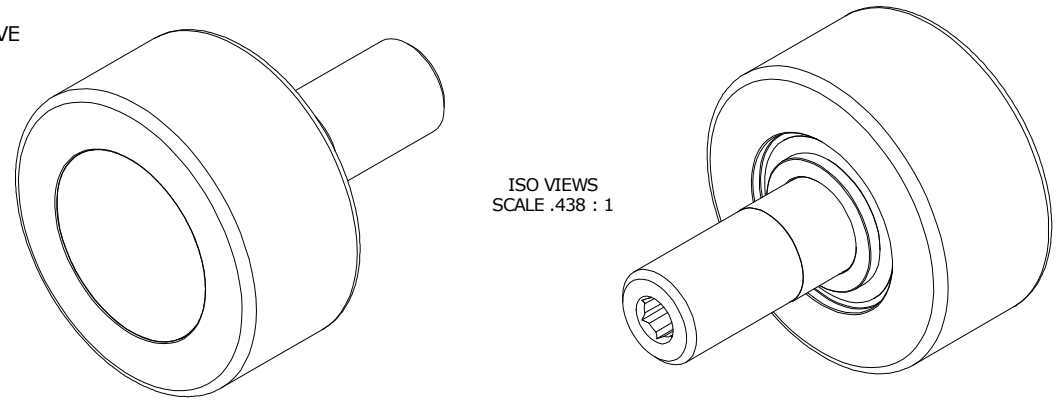


LOAD RATINGS	
RATING	Lbs
RADIAL BASIC DYNAMIC	14,200
DYNAMIC THRUST LOAD	13,000
MAXIMUM STATIC CAPACITY	26,000

NOTES:

1. BEARING IS PACKED WITH NLGI GRADE 2, LITHIUM BASED GREASE
2. STUD, END CAP, & WASHER: ALL EXPOSED SURFACES HAVE BLACK OXIDE

MS NO.	NSN NO.	DRAWING NO.	PHR-400-A
--------	---------	-------------	-----------



MATERIAL NOTES: OUTER ROLLER - BEARING STEEL, HEAT TREATED
 STUD - COLD ROLLED STEEL
 BEARING ASSY - LM67000LA-902A2
 WASHER - COLD ROLLED STEEL
 END CAP - COLD ROLLED STEEL

CUSTOMER PART#	XX = ± .01 XXX = ± .005 XXXX = ± .0005 ANGLES = ± 1' INCH [METRIC] FRACTION = ± 1/32
ENGINEERING CHANGE ORDER NOTE	

CARTER MANUFACTURING IS NOT RESPONSIBLE FOR TYPOGRAPHICAL ERRORS

CARTER MANUFACTURING CO., INC.
 GRAND HAVEN, MICHIGAN 49417

REVISION		PART NAME: ASSEMBLY			
B	AUTHOR BY DB	DRAWN BY AJH	CHK'D BY SGW	SALES KR	MATERIAL NOTED
REVISION BY MD	DATE 11/2/2009	DATE 10/17/2001	DATE 11/2/2009	DATE 11/2/2009	SHEET 1 OF 2