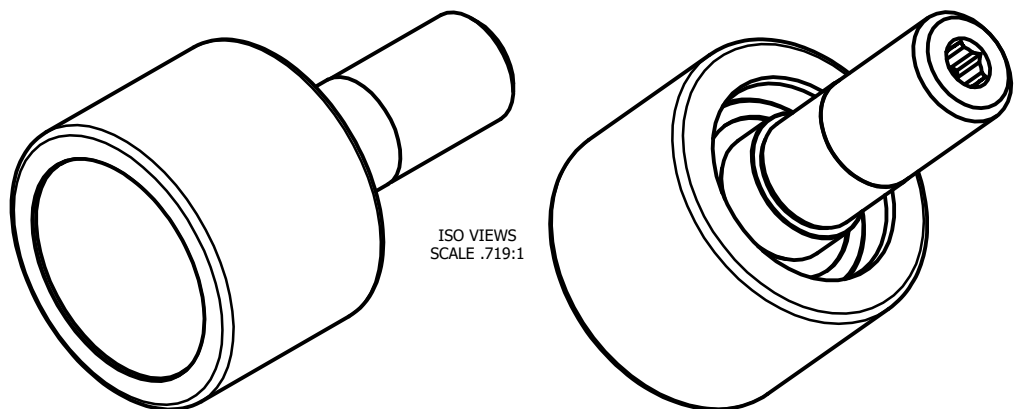
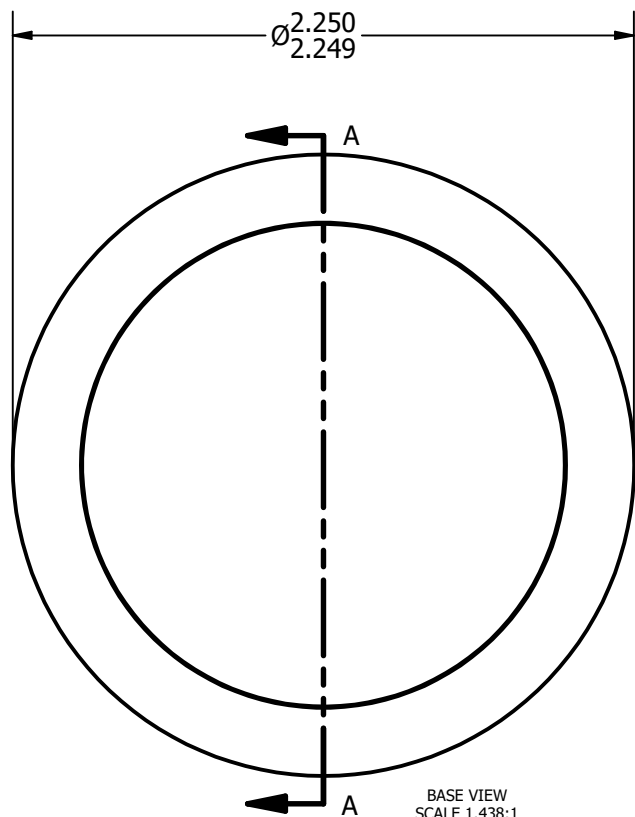


LOAD RATINGS	
RATING	Lbs
RADIAL BASIC DYNAMIC	3,890
DYNAMIC THRUST LOAD	1,000
MAXIMUM STATIC CAPACITY	2,000

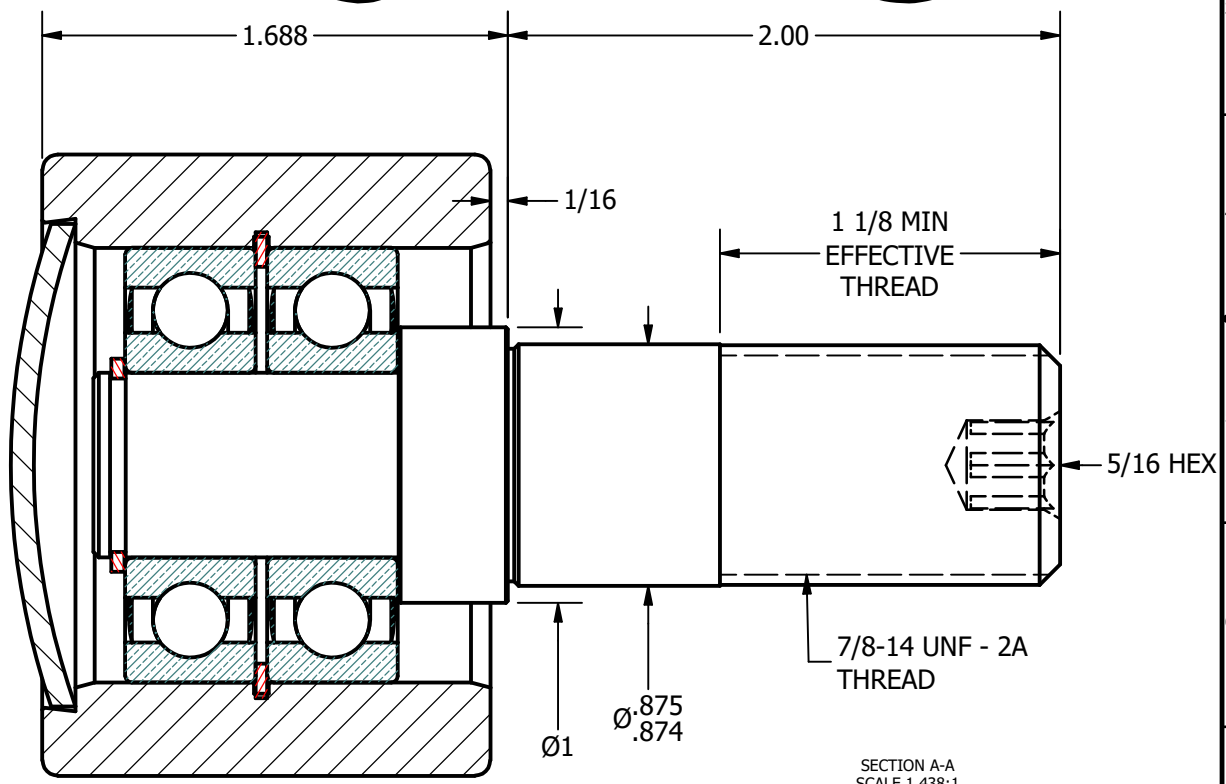
NOTES:
 1. BALL BEARINGS COME PRE-PACKED WITH GREASE



ISO VIEWS
 SCALE .719:1



BASE VIEW
 SCALE 1.438:1



SECTION A-A
 SCALE 1.438:1

MATERIAL NOTES:
 OUTER - BEARING STEEL, HEAT TREATED
 STUD - STRESSPROOF
 BEARING ASSY. - 6203.2RS
 RETAINING RINGS - SPRING STEEL
 END CAP - COLD ROLLED STEEL

CUSTOMER PART#	.XX = ± .01 .XXX = ± .005 .XXXX = ± .0005 ANGLES = ± 1° INCH [METRIC]
CHANGE NOTE:	

CARTER MANUFACTURING IS NOT RESPONSIBLE FOR TYPOGRAPHICAL ERRORS	
REVISION	
B	<i>AUTHOR. BY</i> DB
<i>REV. BY</i>	<i>DATE</i>
MD	12/3/2009

CARTER MANUFACTURING CO., INC.					
GRAND HAVEN, MICHIGAN 49417					
PART NAME: ASSEMBLY			SHEET 1 OF 2		
<i>AUTHOR. BY</i>	<i>DRAWN BY</i>	<i>CHK'D BY</i>	<i>SALES</i>	<i>MATERIAL</i>	
DB	RAM	SGW	KR	NOTED	
<i>REV. BY</i>	<i>DATE</i>	<i>DATE</i>	<i>DATE</i>	<i>DATE</i>	<i>DRAWING NO.</i>
MD	12/3/2009	12/31/1996	12/3/2009	12/3/2009	PHR-225-A