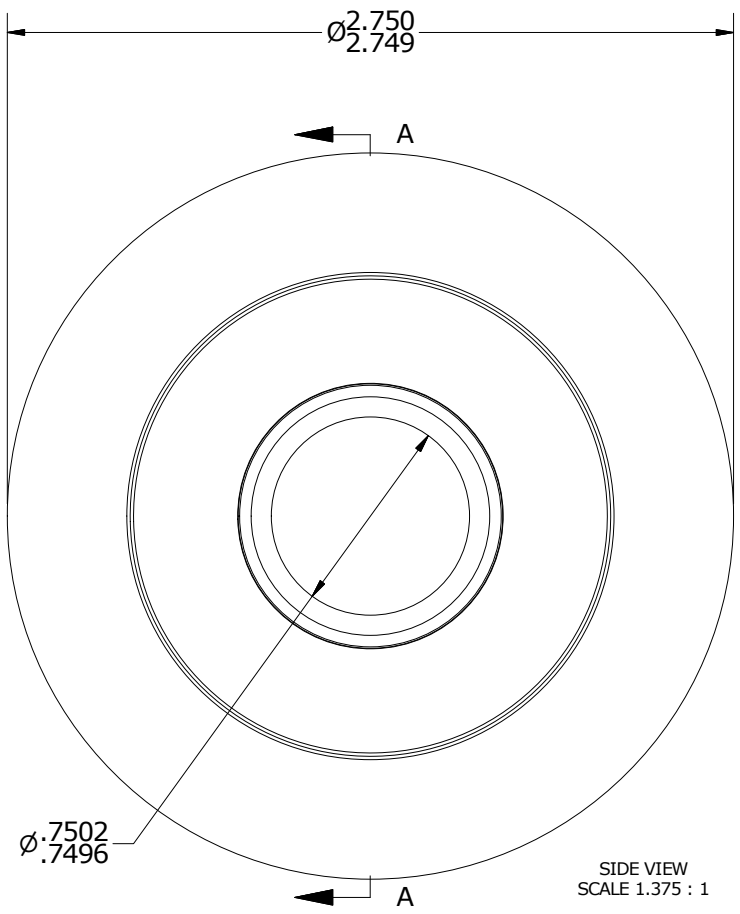
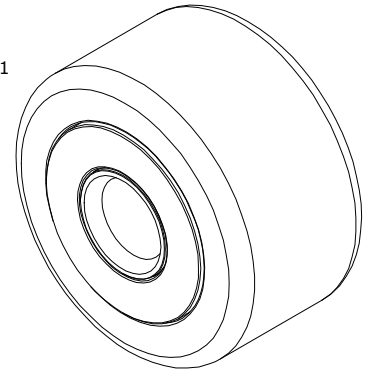


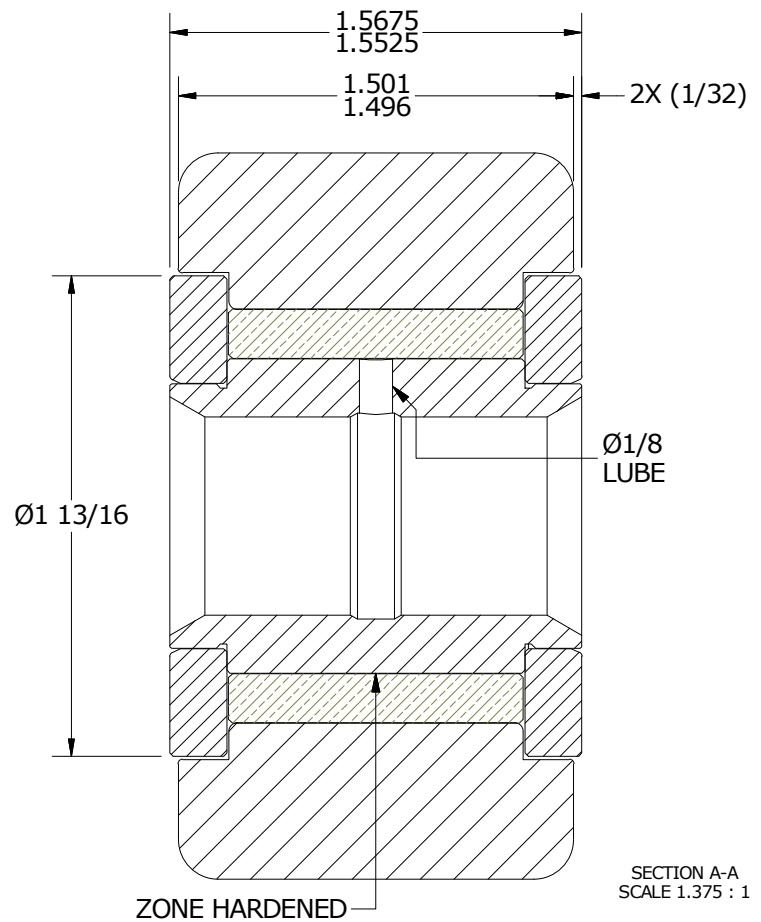
NOTES:

- 1. BUSHING IS IMPREGNATED WITH OIL
- 2. ALL EXPOSED STEEL SURFACES HAVE BLACK OXIDE

ISO VIEW
SCALE .625 : 1



SIDE VIEW
SCALE 1.375 : 1



SECTION A-A
SCALE 1.375 : 1

MATERIAL NOTES:

- OUTER RING - BEARING STEEL, HEAT TREATED
- INNER RING - BEARING STEEL, ZONE HARDNED
- WASHERS - COLD ROLLED STEEL, HEAT TREATED
- BUSHING - SINTERED BRONZE

CUSTOMER PART#

XX = ± .01
 XXX = ± .005
 XXXX = ± .0005
 ANGLES = ± 1'
 INCH [METRIC]
 FRACTION = ± 1/32

CARTER MANUFACTURING IS
 NOT RESPONSIBLE FOR
 TYPOGRAPHICAL ERRORS

CARTER MANUFACTURING CO., INC.
 GRAND HAVEN, MICHIGAN 49417

ENGINEERING CHANGE ORDER NOTE

REVISION

PART NAME: ASSEMBLY

A	AUTHOR BY	DRAWN BY	CHK'D BY	SALES	MATERIAL
	HG	SGW	MD	KR	NOTED
REVISION BY	DATE	DATE	DATE	DATE	SHEET
SGW	12/15/2016	12/12/2016	12/13/2016	12/13/2017	1 OF 2