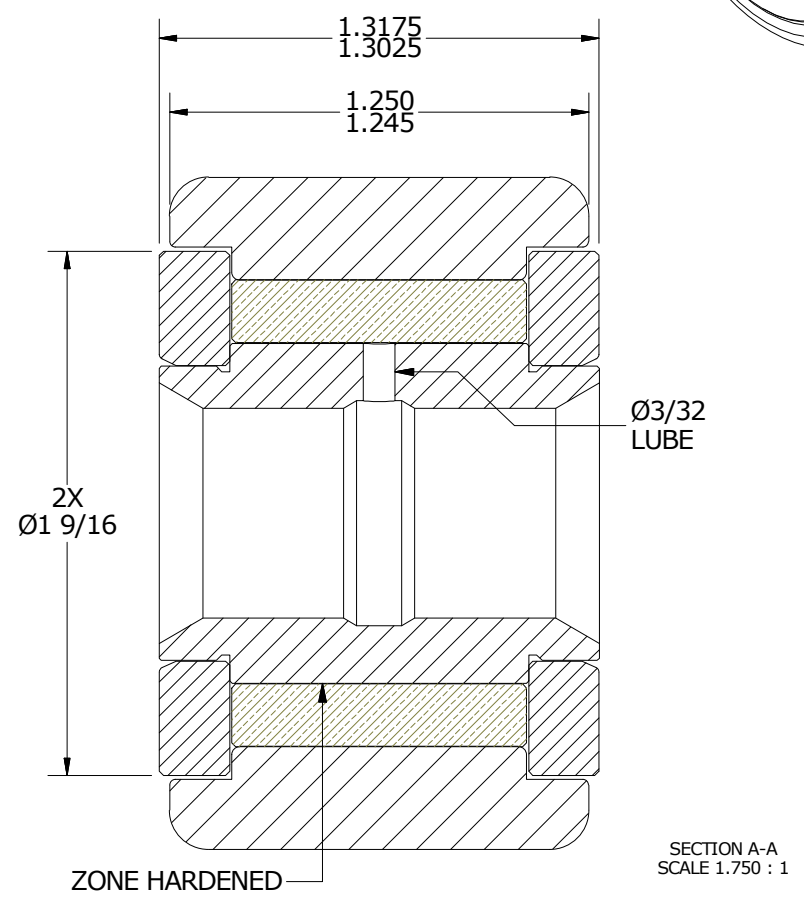
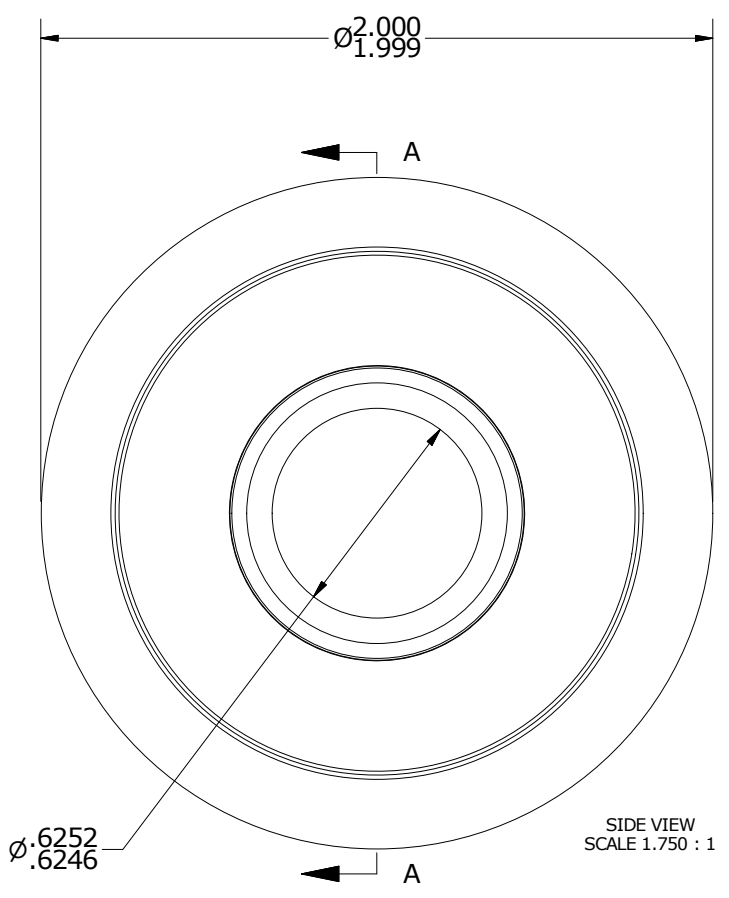
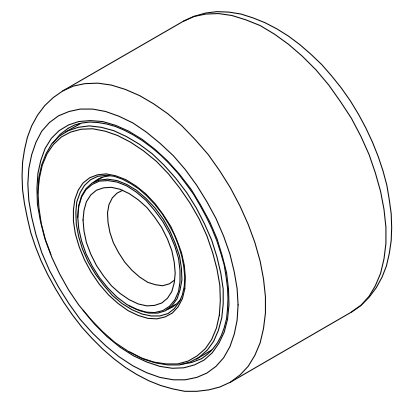


NOTES:

- 1. BUSHING IS IMPREGNATED WITH OIL
- 2. ALL EXPOSED STEEL SURFACES HAVE BLACK OXIDE

ISO VIEW
SCALE .875:1



MATERIAL NOTES:

OUTER RING - BEARING STEEL, HEAT TREATED
 INNER RING - BEARING STEEL, ZONE HARDENED
 BUSHING - SINTERED BRONZE
 WASHER(S) - COLD ROLLED STEEL, HEAT TREATED*

*(DEPENDING ON MATERIAL AVAILABILITY, MAY BE CONSTRUCTED FROM BEARING STEEL)

CUSTOMER PART#

XX = ± .01
 XXX = ± .005
 XXXX = ± .0005
 ANGLES = ± 1'
 INCH [METRIC]
 FRACTION = ± 1/32

ENGINEERING CHANGE ORDER NOTE

CARTER MANUFACTURING IS NOT RESPONSIBLE FOR TYPOGRAPHICAL ERRORS

CARTER MANUFACTURING CO., INC.
 GRAND HAVEN, MICHIGAN 49417

REVISION		PART NAME: ASSEMBLY			
A	AUTHOR BY HG	DRAWN BY SGW	CHK'D BY MD	SALES KR	MATERIAL NOTED
REVISION BY SGW	DATE 11/4/2016	DATE 11/3/2016	DATE 11/3/2016	DATE 11/7/2016	SHEET 1 OF 2