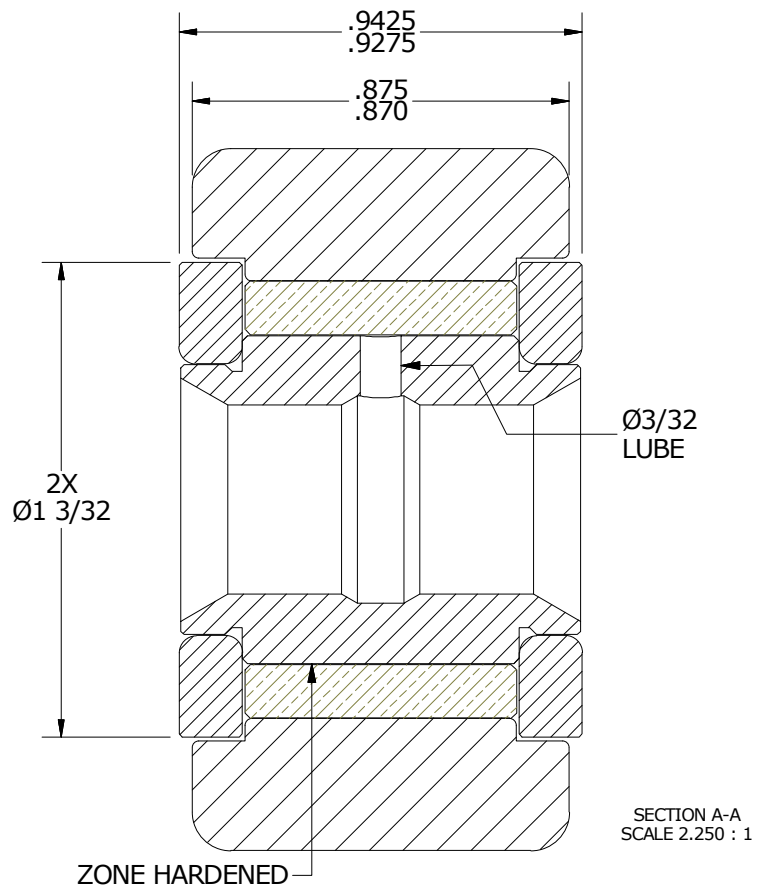
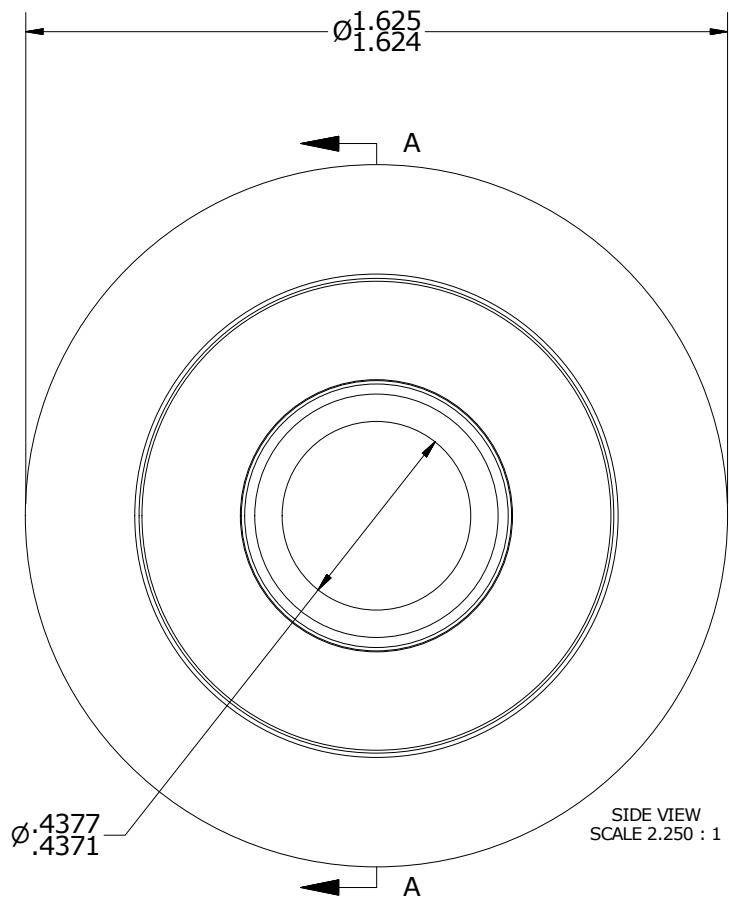
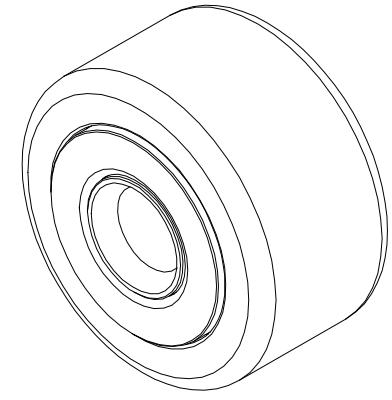


- NOTES:  
 1. BUSHING IS IMPREGNATED WITH OIL  
 2. ALL EXPOSED STEEL SURFACES HAVE BLACK OXIDE

ISO VIEW  
 SCALE 1.125 : 1



MATERIAL NOTES:  
 OUTER RING - BEARING STEEL, HEAT TREATED  
 INNER RING - BEARING STEEL, ZONE HARDENED  
 BUSHING - SINTERED BRONZE  
 WASHER(S) - COLD ROLLED STEEL, HEAT TREATED\*

\*(DEPENDING ON MATERIAL AVAILABILITY, MAY BE CONSTRUCTED FROM BEARING STEEL)

CUSTOMER PART#  
 XX = ± .01  
 XXX = ± .005  
 XXXX = ± .0005  
 ANGLES = ± 1'  
 INCH [METRIC]  
 FRACTION = ± 1/32

ENGINEERING CHANGE ORDER NOTE

CARTER MANUFACTURING IS NOT RESPONSIBLE FOR TYPOGRAPHICAL ERRORS

REVISION

<b>A</b>	AUTHOR BY	HG
	REVISION BY	SGW
	DATE	11/10/2016

**CARTER MANUFACTURING CO., INC.**  
 GRAND HAVEN, MICHIGAN 49417

PART NAME: ASSEMBLY

DRAWN BY	CHK'D BY	SALES	MATERIAL
SGW	MD	KR	NOTED
DATE	DATE	DATE	SHEET
11/8/2016	11/9/2016	11/11/2016	1 OF 2