

ISO/ABMA BASIC LOAD RATINGS		
Rating	Newtons	Lbs
DYNAMIC	13,240	2,976
STATIC	18,140	4,078

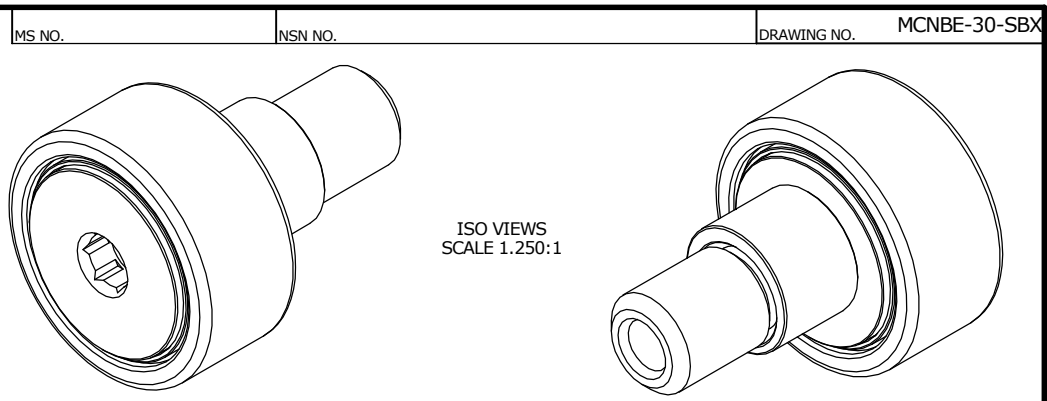
TRACK ROLLER LOAD RATINGS		
RATING	Newtons	Lbs
DYNAMIC	11,080	2,491
STATIC	15,300	3,440

MAXIMUM CLAMPING TORQUE			
Thread Type	Nm	Inch Lbs	
DRY	22	195	
LUBRICATED	11	97.5	

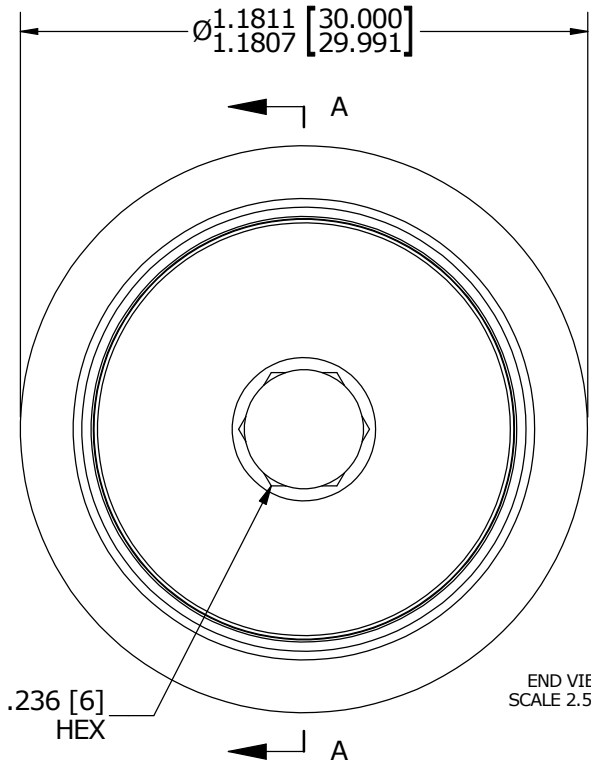
RECOMMENDED MOUNTING HOLE Ø			
Limit	mm	Inch	
MIN	15.050	.5925	
MAX	15.075	.5935	

NOTES:

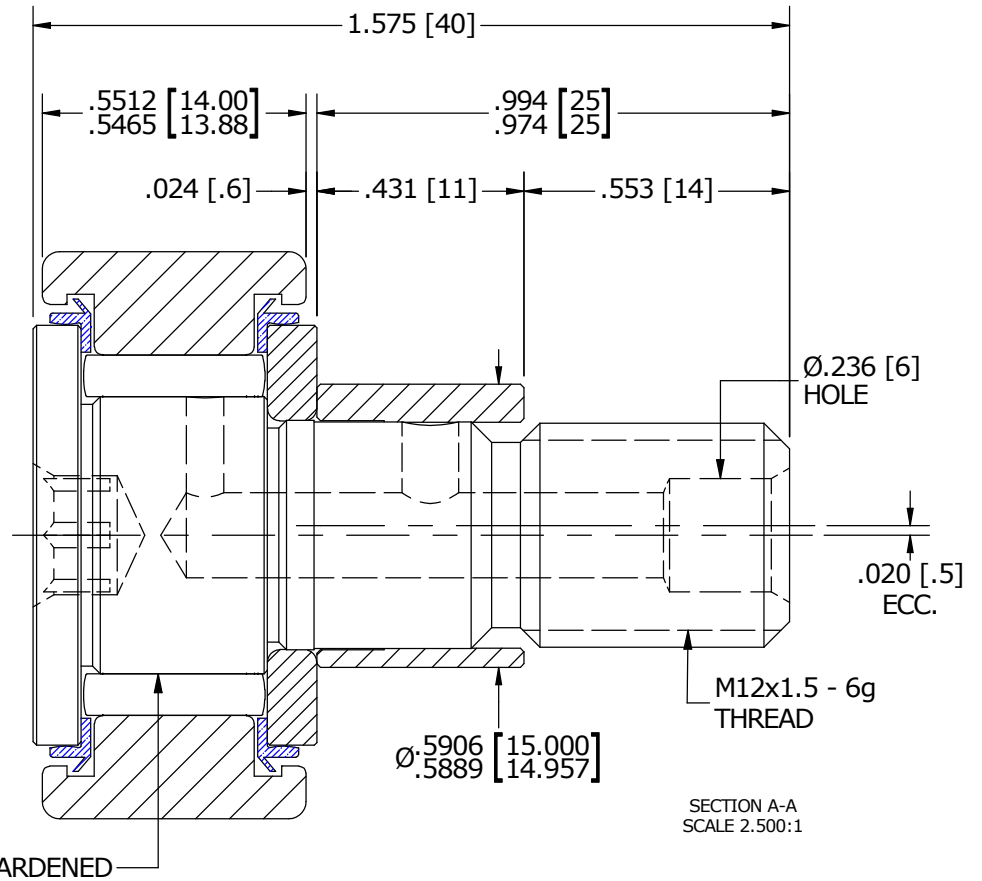
- BEARING IS PACKED WITH NLGI GRADE 2, LITHIUM BASED GREASE (UNLESS OTHERWISE SPECIFIED)
- ALL EXPOSED STEEL SURFACES HAVE BLACK OXIDE
- LIMITING SPEEDS:
 - GREASE = 6,400 RPM
 - OIL = 8,300 RPM



ISO VIEWS
SCALE 1.250:1



END VIEW
SCALE 2.500:1



SECTION A-A
SCALE 2.500:1

MATERIAL NOTES:

OUTER RACE - BEARING STEEL, HEAT TREATED
 STUD - BEARING STEEL, ZONE HARDENED
 NEEDLE ROLLER - BEARING STEEL, HEAT TREATED
 WASHER - COLD ROLLED STEEL, HEAT TREATED
 ECCENTRIC SLEEVE - COLD ROLLED STEEL
 SEAL - SYNTHETIC

CUSTOMER PART#	XX = ± .01 XXX = ± .005 XXXX = ± .0005 ANGLES = ± 1' INCH [METRIC] FRACTION = ± 1/32
<i>ENGINEERING CHANGE ORDER NOTE</i>	

CARTER MANUFACTURING IS NOT RESPONSIBLE FOR TYPOGRAPHICAL ERRORS	
<i>REVISION</i>	
A	AUTHOR BY HG
REVISION BY SGW	DATE 12/12/2015

CARTER MANUFACTURING CO., INC. GRAND HAVEN, MICHIGAN 49417					
PART NAME: ASSEMBLY					
DRAWN BY SGW	CHK'D BY MD	SALES KR	MATERIAL NOTED		
DATE 11/13/2015	DATE 11/23/2015	DATE 11/13/2015	SHEET 1 OF 2		