

ISO/ABMA BASIC LOAD RATINGS		
Rating	Newtons	Lbs
DYNAMIC	13,240	2,976
STATIC	18,140	4,078

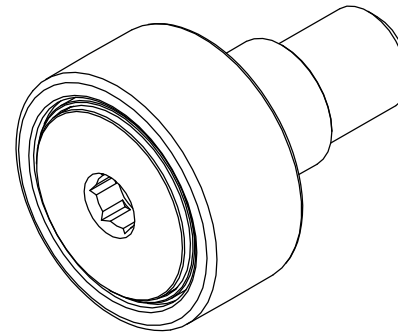
TRACK ROLLER LOAD RATINGS		
RATING	Newtons	Lbs
DYNAMIC	11,080	2,491
STATIC	15,300	3,440

MS NO. _____ NSN NO. _____ DRAWING NO. MCNBE-30-SB

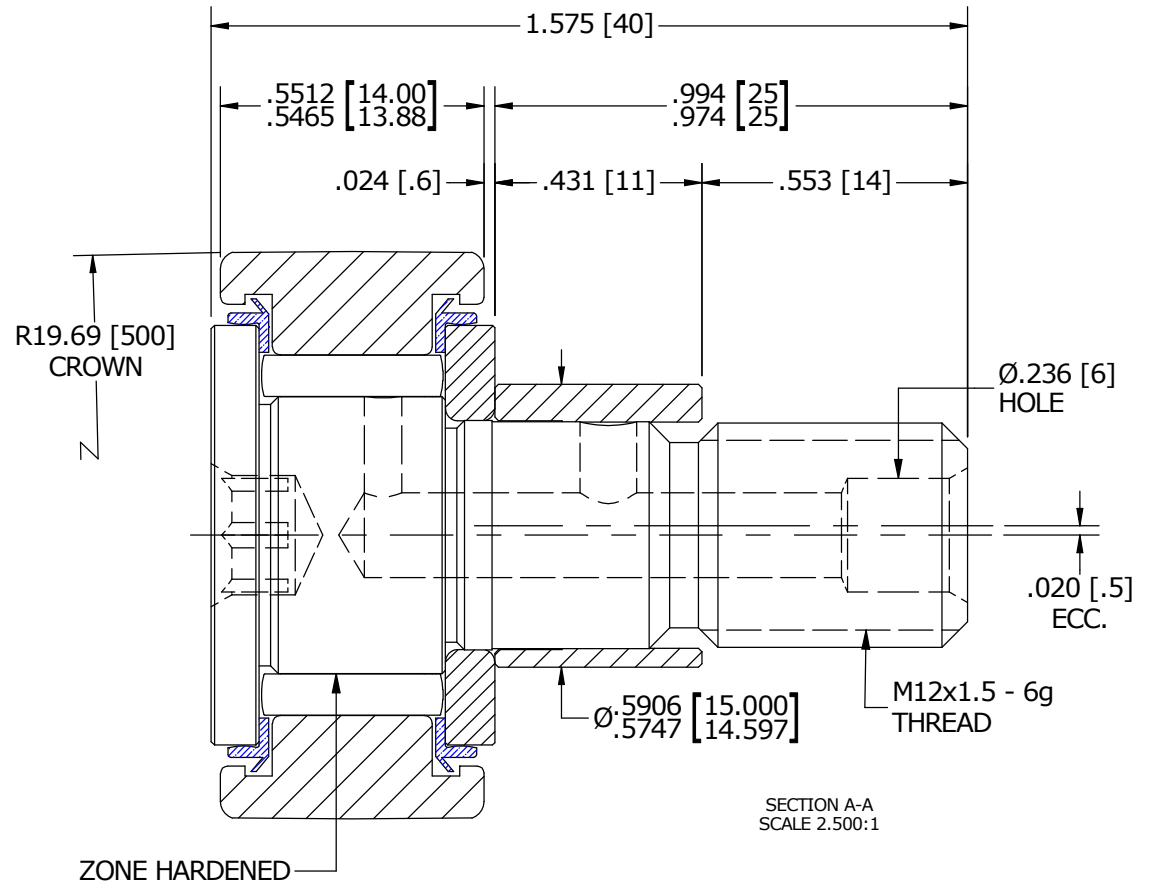
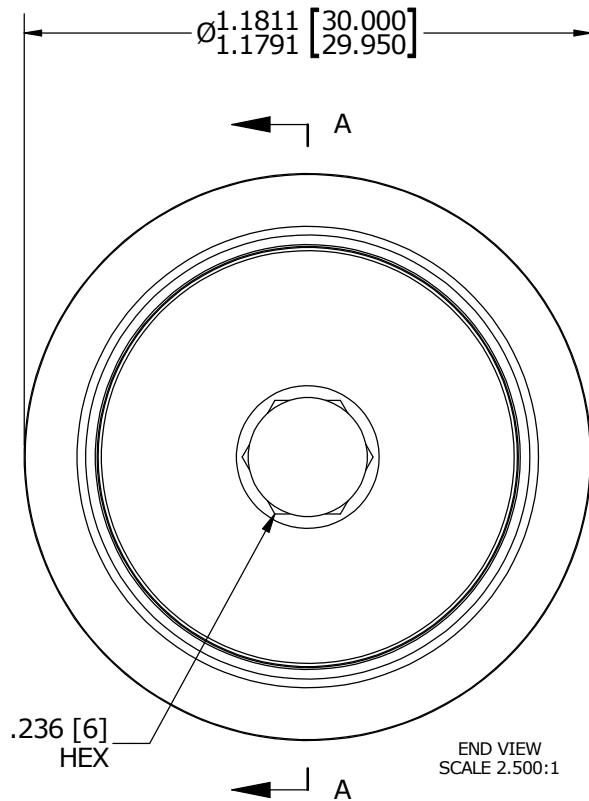
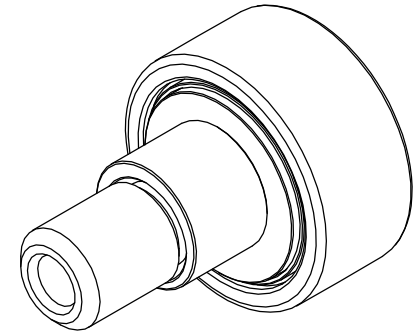
MAXIMUM CLAMPING TORQUE			
Thread Type	Nm	Inch Lbs	
DRY	22	195	
LUBRICATED	11	97.5	

RECOMMENDED MOUNTING HOLE Ø		
Limit	mm	Inch
MIN	15.050	.5925
MAX	15.075	.5935

- NOTES:
- BEARING IS PACKED WITH NLGI GRADE 2, LITHIUM BASED GREASE (UNLESS OTHERWISE SPECIFIED)
 - ALL EXPOSED STEEL SURFACES HAVE BLACK OXIDE
 - LIMITING SPEEDS:
 - GREASE = 6,400 RPM
 - OIL = 8,300 RPM



ISO VIEWS
SCALE 1.250:1



MATERIAL NOTES:

- OUTER RACE - BEARING STEEL, HEAT TREATED
- STUD - BEARING STEEL, ZONE HARDENED
- NEEDLE ROLLER - BEARING STEEL, HEAT TREATED
- WASHER - COLD ROLLED STEEL, HEAT TREATED
- ECCENTRIC SLEEVE - COLD ROLLED STEEL
- SEAL - SYNTHETIC

CUSTOMER PART#

XX = ± .01
 XXX = ± .005
 XXXX = ± .0005
 ANGLES = ± 1'
 INCH [METRIC]
 FRACTION = ± 1/32

CARTER MANUFACTURING IS NOT RESPONSIBLE FOR TYPOGRAPHICAL ERRORS

CARTER MANUFACTURING CO., INC.
 GRAND HAVEN, MICHIGAN 49417

ENGINEERING CHANGE ORDER NOTE

REVISION

PART NAME: ASSEMBLY

REVISION	AUTHOR BY	DRAWN BY	CHK'D BY	SALES	MATERIAL
A	HG	SGW	MD	KR	NOTED
REVISION BY	DATE	DATE	DATE	DATE	SHEET
SGW	12/12/2015	11/13/2015	11/23/2015	11/13/2015	1 OF 2