

| ISO/ABMA BASIC LOAD RATINGS |         |       |
|-----------------------------|---------|-------|
| Rating                      | Newtons | Lbs   |
| DYNAMIC                     | 6,960   | 1,565 |
| STATIC                      | 8,340   | 1,875 |

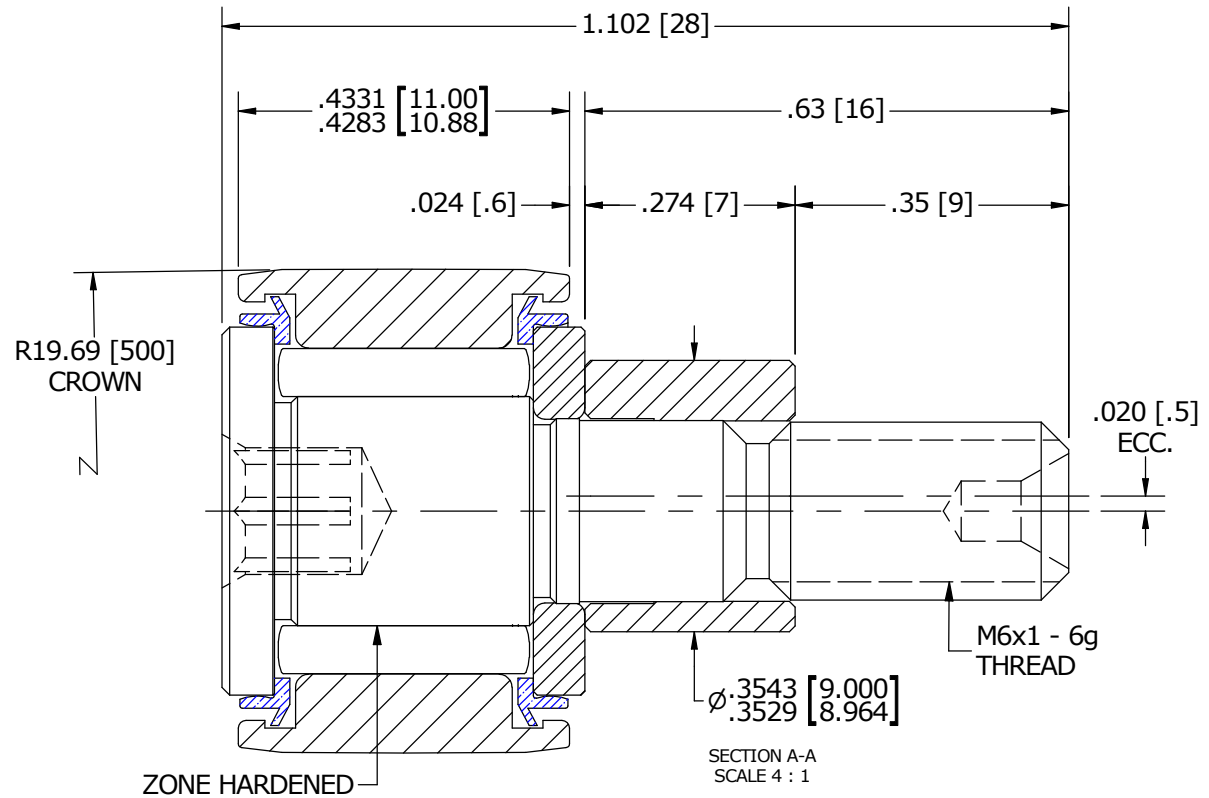
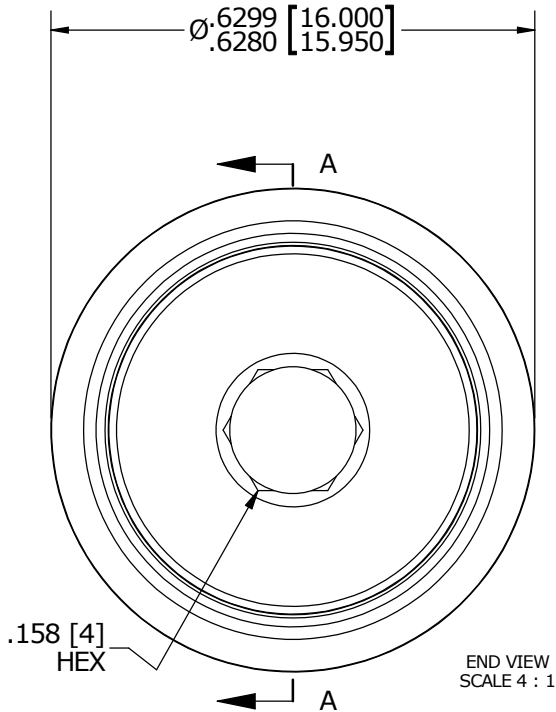
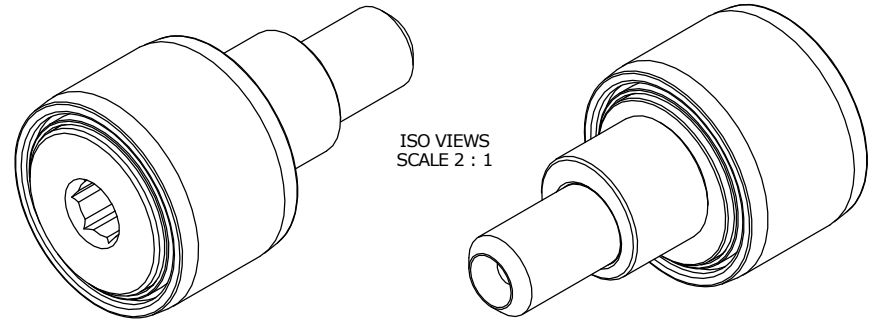
| TRACK ROLLER LOAD RATINGS |         |       |
|---------------------------|---------|-------|
| RATING                    | Newtons | Lbs   |
| DYNAMIC                   | 5,790   | 1,302 |
| STATIC                    | 2,350   | 528   |

| MAXIMUM CLAMPING TORQUE |     |          |
|-------------------------|-----|----------|
| Thread Type             | Nm  | Inch Lbs |
| DRY                     | 3   | 26.50    |
| LUBRICATED              | 1.5 | 13.25    |

| RECOMMENDED MOUNTING HOLE Ø |       |       |
|-----------------------------|-------|-------|
| Limit                       | mm    | Inch  |
| MIN                         | 9.050 | .3563 |
| MAX                         | 9.075 | .3573 |

- NOTES:
- BEARING IS PACKED WITH NLGI GRADE 2, LITHIUM BASED GREASE (UNLESS OTHERWISE SPECIFIED)
  - ALL EXPOSED STEEL SURFACES HAVE BLACK OXIDE
  - LIMITING SPEEDS:
    - GREASE = 13,000 RPM
    - OIL = 17,000 RPM

MS NO. \_\_\_\_\_ NSN NO. \_\_\_\_\_ DRAWING NO. MCNBE-16-SB



MATERIAL NOTES:

OUTER RACE - BEARING STEEL, HEAT TREATED  
 STUD - BEARING STEEL, ZONE HARDENED  
 NEEDLE ROLLER - BEARING STEEL, HEAT TREATED  
 WASHER - COLD ROLLED STEEL, HEAT TREATED  
 SEAL - SYNTHETIC

CUSTOMER PART#

XX = ± .01  
 XXX = ± .005  
 XXXX = ± .0005  
 ANGLES = ± 1'  
 INCH [METRIC]  
 FRACTION = ± 1/32

CARTER MANUFACTURING IS NOT RESPONSIBLE FOR TYPOGRAPHICAL ERRORS

**CARTER MANUFACTURING CO., INC.**  
 GRAND HAVEN, MICHIGAN 49417

ENGINEERING CHANGE ORDER NOTE

REVISION

PART NAME: ASSEMBLY

| REVISION    | AUTHOR BY  | DRAWN BY   | CHK'D BY   | SALES      | MATERIAL |
|-------------|------------|------------|------------|------------|----------|
| A           | HG         | SGW        | MD         | KR         | NOTED    |
| REVISION BY | DATE       | DATE       | DATE       | DATE       | SHEET    |
| SGW         | 11/12/2015 | 11/11/2015 | 11/12/2015 | 11/11/2015 | 1 OF 2   |