

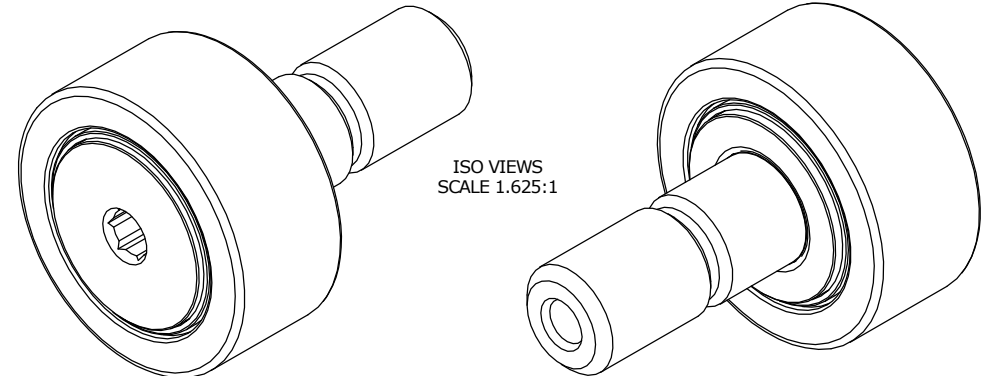
ISO/ABMA BASIC LOAD RATINGS		
Rating	Newtons	Lbs
DYNAMIC	9,410	2,115
STATIC	12,360	2,779

TRACK ROLLER LOAD RATINGS		
RATING	Newtons	Lbs
DYNAMIC	7,850	1,765
STATIC	10,400	2,338

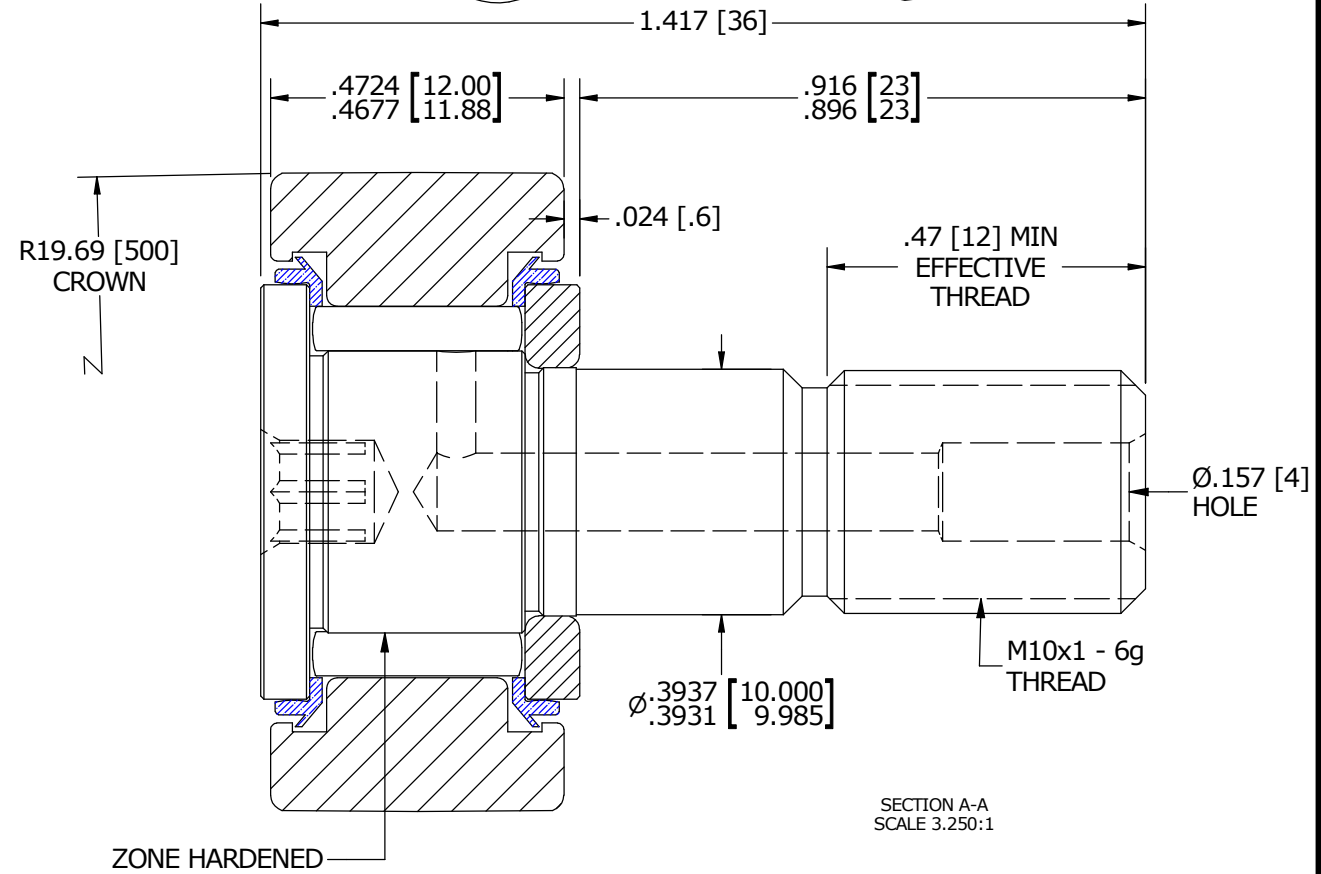
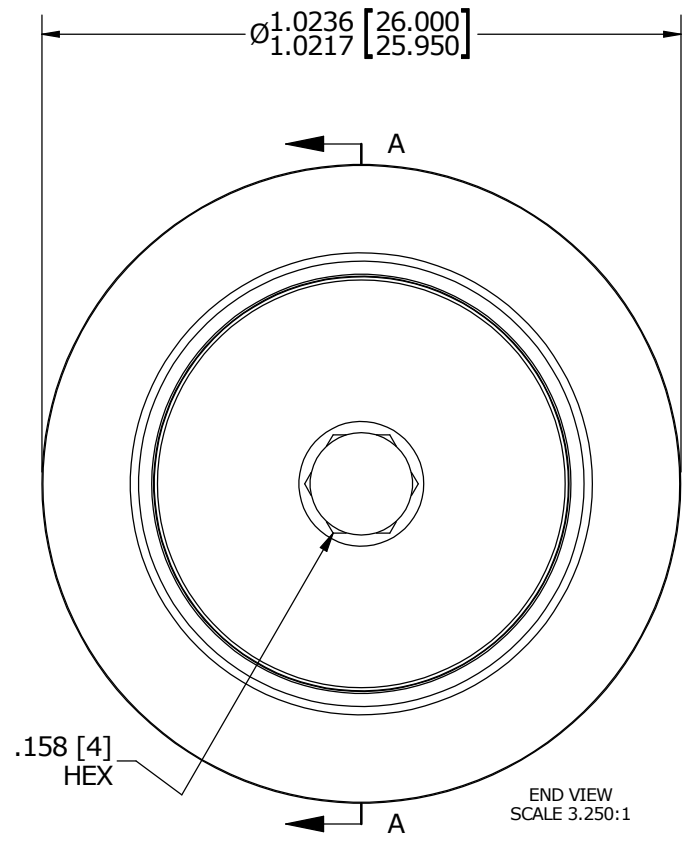
MAXIMUM CLAMPING TORQUE		
Thread Type	Nm	Inch Lbs
DRY	15	132.76
LUBRICATED	7.5	66.40

RECOMMENDED MOUNTING HOLE Ø		
Limit	mm	Inch
MIN	10.000	.3937
MAX	10.015	.3943

MS NO. _____ NSN NO. _____ DRAWING NO. MCNB-26-SB



- NOTES:
1. BEARING IS PACKED WITH NLGI GRADE 2, LITHIUM BASED GREASE (UNLESS OTHERWISE SPECIFIED)
 2. ALL EXPOSED STEEL SURFACES HAVE BLACK OXIDE
 3. LIMITING SPEEDS:
 - A. GREASE = 9,000 RPM
 - B. OIL = 11,500 RPM



MATERIAL NOTES:

OUTER RACE - BEARING STEEL, HEAT TREATED
 STUD - BEARING STEEL, ZONE HARDENED
 NEEDLE ROLLER - BEARING STEEL, HEAT TREATED
 WASHER - COLD ROLLED STEEL, HEAT TREATED
 SEAL - SYNTHETIC

CUSTOMER PART#	XX = ± .01 XXX = ± .005 XXXX = ± .0005 ANGLES = ± 1' INCH [METRIC] FRACTION = ± 1/32
<i>ENGINEERING CHANGE ORDER NOTE</i>	

CARTER MANUFACTURING IS NOT RESPONSIBLE FOR TYPOGRAPHICAL ERRORS

REVISION	
D	AUTHOR BY HG
REVISION BY SGW	DATE 4/29/2015

CARTER MANUFACTURING CO., INC.
 GRAND HAVEN, MICHIGAN 49417

PART NAME: ASSEMBLY

DRAWN BY	CHK'D BY	SALES	MATERIAL
SGW	MD	KR	NOTED
DATE	DATE	DATE	SHEET
3/26/2008	4/29/2015	10/9/2014	1 OF 2