

LOAD RATINGS		
RATING	lbf	Newtons
RADIAL BASIC DYNAMIC	14,270	63,476
STATIC THRUST LOAD	12,000	53,379
MAXIMUM STATIC CAPACITY	20,000	88,964

NOTES:

1. BEARING IS PACKED WITH NLGI GRADE 2, LITHIUM BASED GREASE (UNLESS OTHERWISE SPECIFIED)
2. ALL EXPOSED SURFACES HAVE BLACK OXIDE
3. CUSTOM LASER ETCHING IS AVAILABLE UPON REQUEST

MS NO.

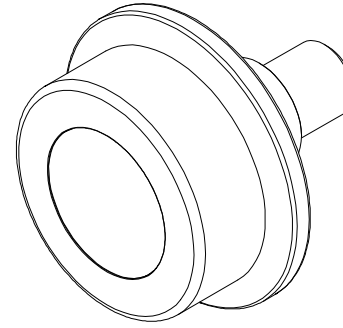
NSN NO.

DRAWING NO.

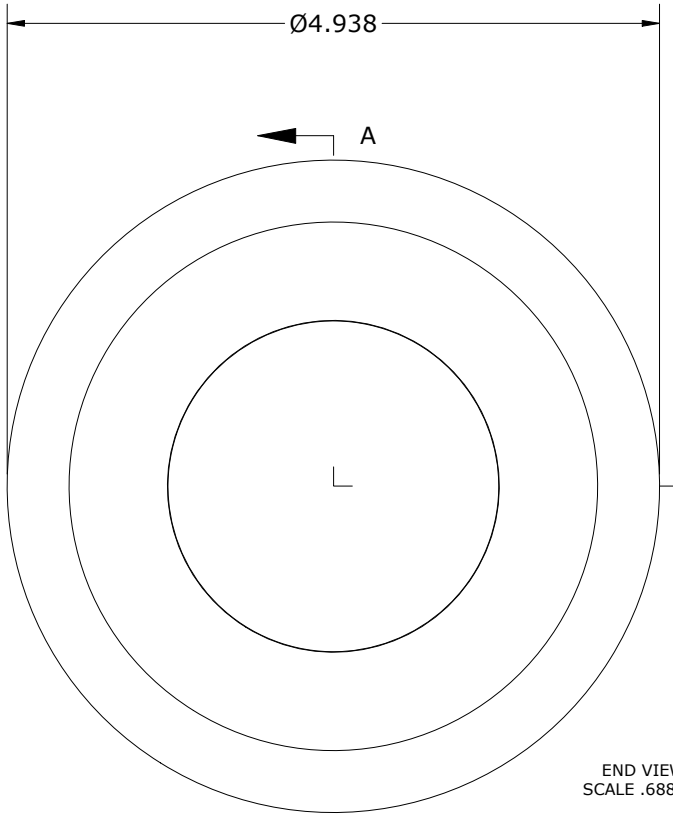
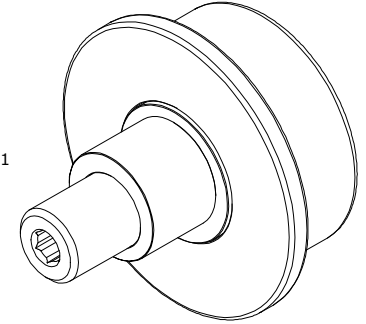
FHRE-400-A

RECOMMENDED MOUNTING HOLE Ø		
Limit	Inch	mm
MIN	1.814	46.0756
MAX	1.815	46.1010

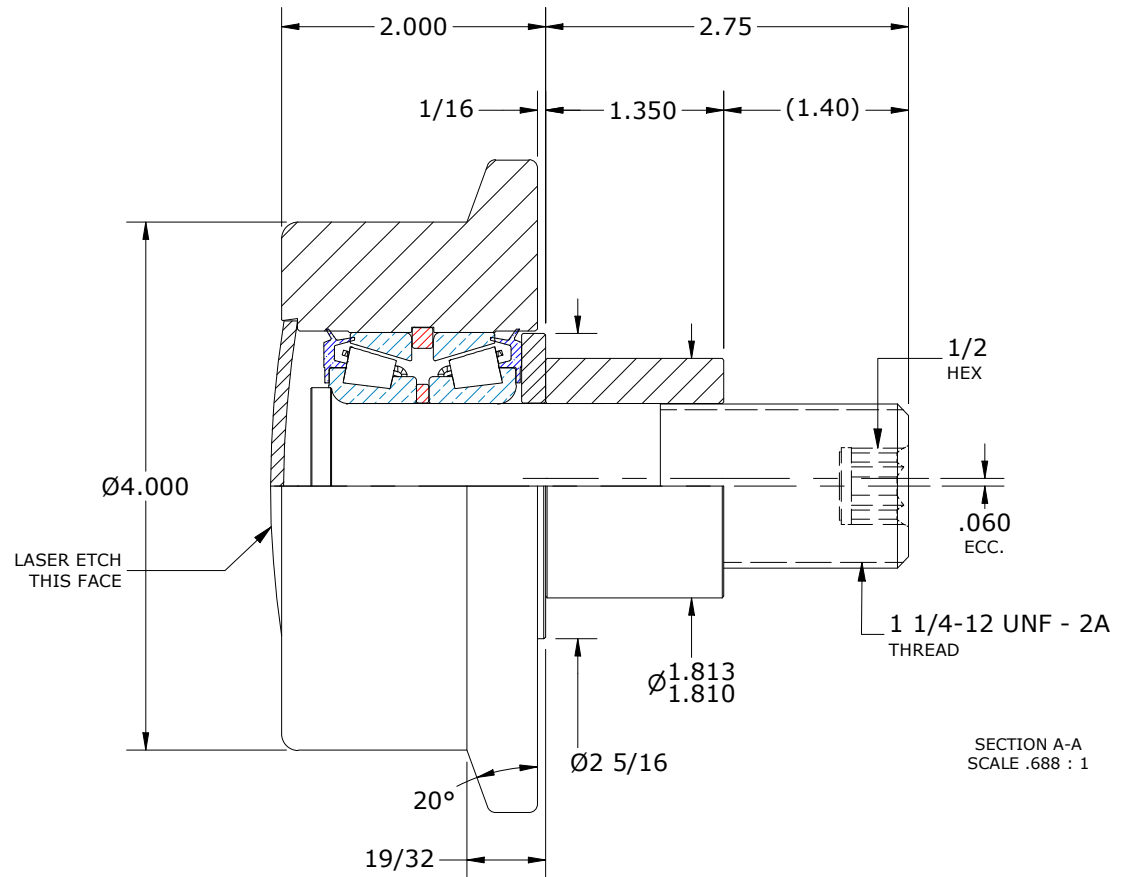
MAXIMUM CLAMPING TORQUE**		
Thread Type	ft lbs	Nm
LUBRICATED	50	68



ISO VIEWS
SCALE .344 : 1



END VIEW
SCALE .688 : 1



SECTION A-A
SCALE .688 : 1

MATERIAL NOTES:

- OUTER ROLLER HOUSING - BEARING STEEL, HEAT TREATED
- STUD - STEEL
- BEARING ASSY - LM67000LA-902A2
- WASHER - STEEL
- END CAP - STEEL
- ECCENTRIC SLEEVE - STEEL

CUSTOMER PART#

XX = ± .01
XXX = ± .005
XXXX = ± .0005
ANGLES = ± 1'
INCH [METRIC]
FRACTION = ± 1/32

CARTER MANUFACTURING IS NOT RESPONSIBLE FOR TYPOGRAPHICAL ERRORS

CARTER MANUFACTURING CO., INC.

GRAND HAVEN, MICHIGAN 49417

ENGINEERING CHANGE ORDER NOTE

REVISION

PART NAME: ASSEMBLY

PRODUCT TYPE: FHRE

E

AUTHOR BY

DRAWN BY

CHK'D BY

SALES

MATERIAL

HG

AJH

MD

NC

NOTED

REVISION BY

DATE

DATE

DATE

DATE

SHEET

SGW

12/16/2021

7/29/2002

12/16/2021

12/16/2021

1 OF 2