

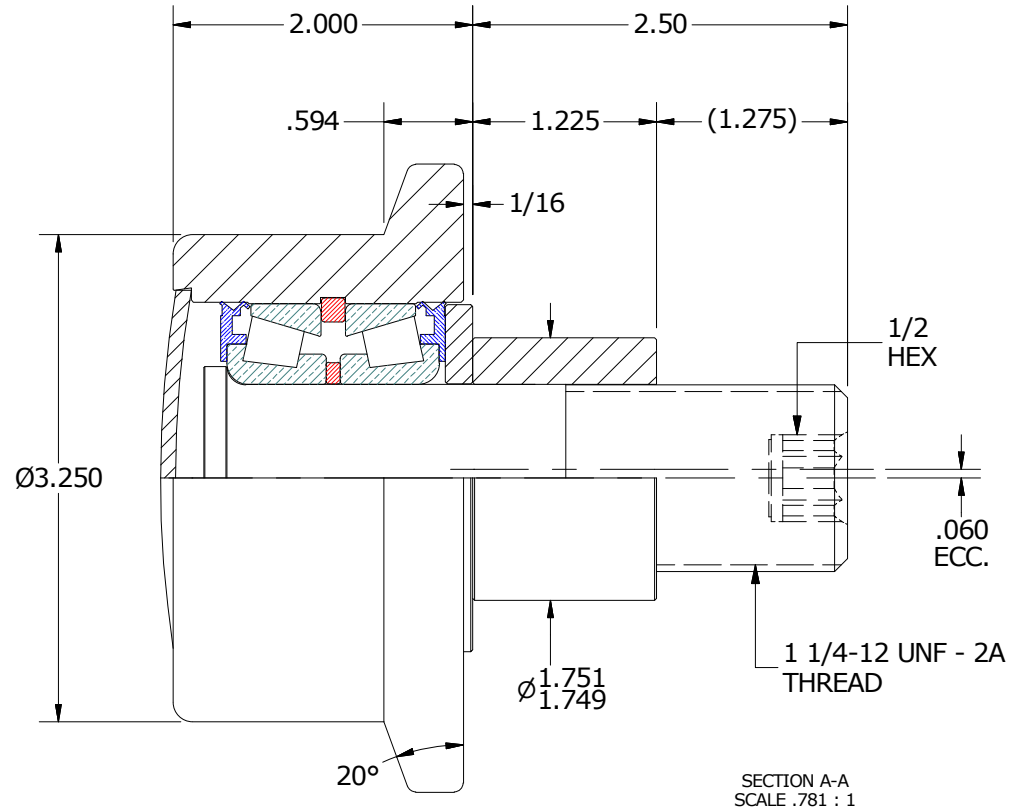
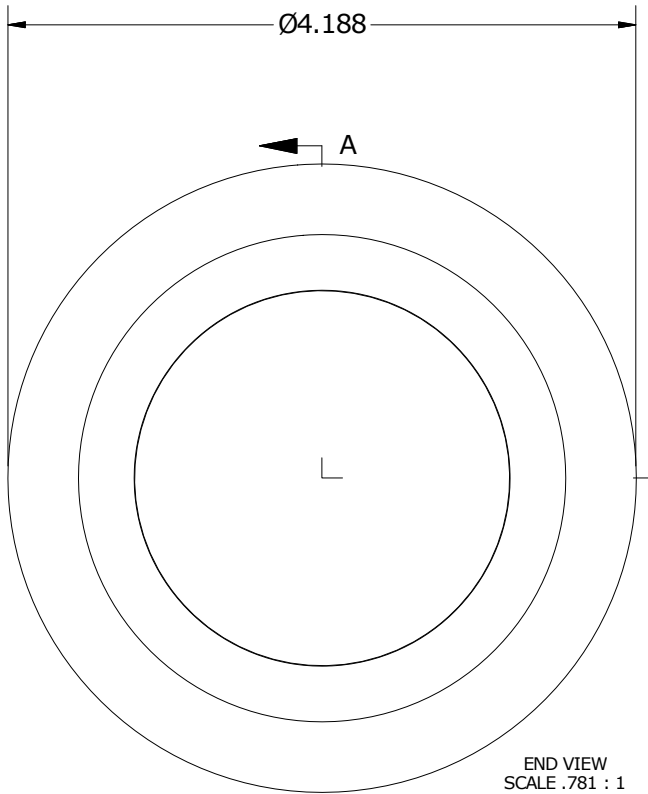
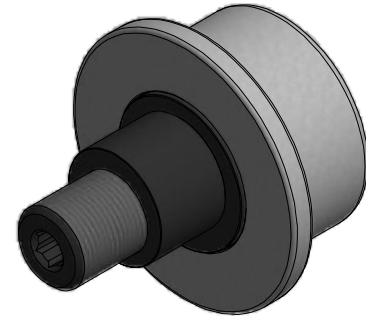
LOAD RATINGS	
RATING	Lbs
RADIAL BASIC DYNAMIC	14,200
INTERNAL FRICTION	13,000
MAXIMUM STATIC CAPACITY	26,000

- NOTES:
1. BEARING IS PACKED WITH NLGI GRADE 2, LITHIUM BASED GREASE
 2. STUD, ECCENTRIC SLEEVE, END CAP, & WASHER: ALL EXPOSED SURFACES HAVE BLACK OXIDE

MS NO. _____ NSN NO. _____ DRAWING NO. FHRE-325-A



ISO VIEWS
SCALE .391 : 1



MATERIAL NOTES:

OUTER ROLLER - BEARING STEEL, HEAT TREATED
 STUD - COLD ROLLED STEEL
 BEARING ASSEMBLY - LM67000LA-902A2
 WASHER - COLD ROLLED STEEL
 END CAP - COLD ROLLED STEEL
 ECCENTRIC SLEEVE - COLD ROLLED STEEL

CUSTOMER PART#

XX = ± .01
 XXX = ± .005
 XXXX = ± .0005
 ANGLES = ± 1'
 INCH [METRIC]
 FRACTION = ± 1/32

CARTER MANUFACTURING IS
 NOT RESPONSIBLE FOR
 TYPOGRAPHICAL ERRORS

CARTER MANUFACTURING CO., INC.

GRAND HAVEN, MICHIGAN 49417

ENGINEERING CHANGE ORDER NOTE

REVISION

PART NAME: ASSEMBLY

A

AUTHOR BY
HG

DRAWN BY
SGW

CHK'D BY
MD

SALES
KR

MATERIAL
NOTED

REVISION BY
SGW

DATE
8/11/2017

DATE
8/11/2017

DATE
8/11/2017

DATE
8/11/2017

SHEET
1 OF 2