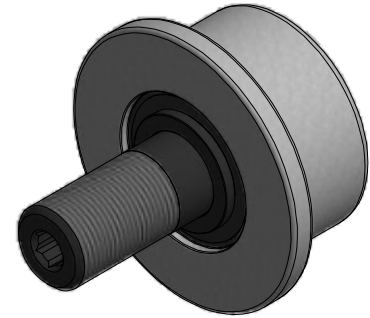


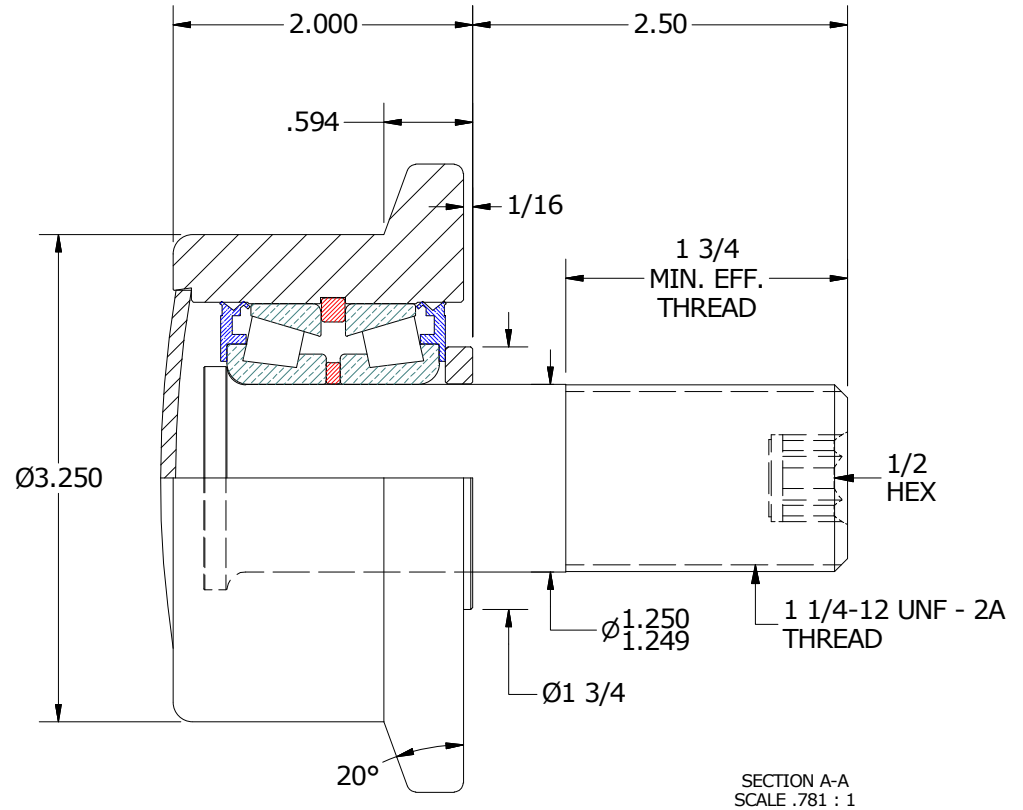
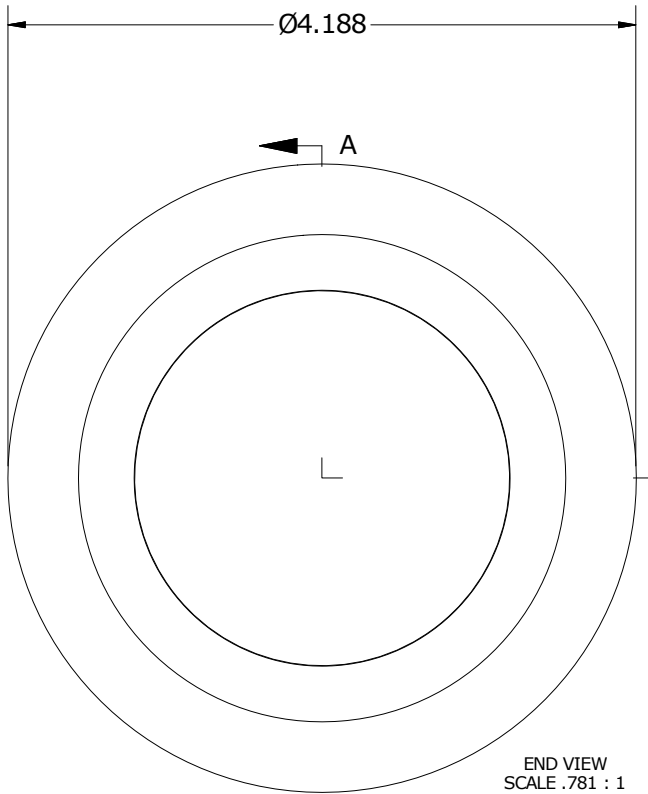
LOAD RATINGS	
RATING	Lbs
RADIAL BASIC DYNAMIC	14,200
LOAD	
DYNAMIC THRUST LOAD	13,000
MAXIMUM STATIC CAPACITY	26,000

- NOTES:
1. BEARING IS PACKED WITH NLGI GRADE 2, LITHIUM BASED GREASE
  2. STUD, END CAP, & WASHER: ALL EXPOSED SURFACES HAVE BLACK OXIDE

MS NO. \_\_\_\_\_ NSN NO. \_\_\_\_\_ DRAWING NO. FHR-325-A



ISO VIEWS  
SCALE .391 : 1



MATERIAL NOTES:

- OUTER ROLLER - BEARING STEEL, HEAT TREATED
- STUD - COLD ROLLED STEEL
- BEARING ASSEMBLY - LM67000LA-902A2
- WASHER - COLD ROLLED STEEL
- END CAP - COLD ROLLED STEEL

CUSTOMER PART#

XX = ± .01  
XXX = ± .005  
XXXX = ± .0005  
ANGLES = ± 1'  
INCH [METRIC]  
FRACTION = ± 1/32

CARTER MANUFACTURING IS NOT RESPONSIBLE FOR TYPOGRAPHICAL ERRORS

**CARTER MANUFACTURING CO., INC.**  
GRAND HAVEN, MICHIGAN 49417

ENGINEERING CHANGE ORDER NOTE

REVISION

PART NAME: ASSEMBLY

**B**

AUTHOR BY  
HG

DRAWN BY  
SGW

CHK'D BY  
MD

SALES  
KR

MATERIAL  
NOTED

REVISION BY  
SGW

DATE  
3/31/2017

DATE  
2/29/2016

DATE  
3/31/2017

DATE  
3/29/2017

SHEET  
1 OF 2