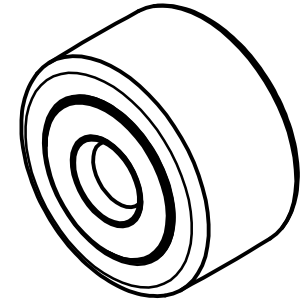
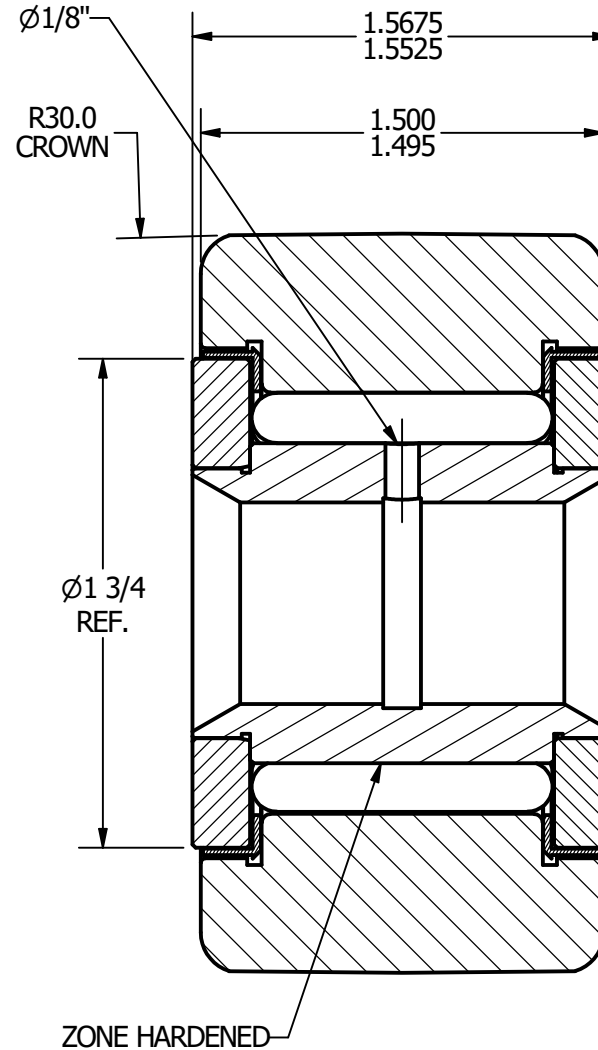
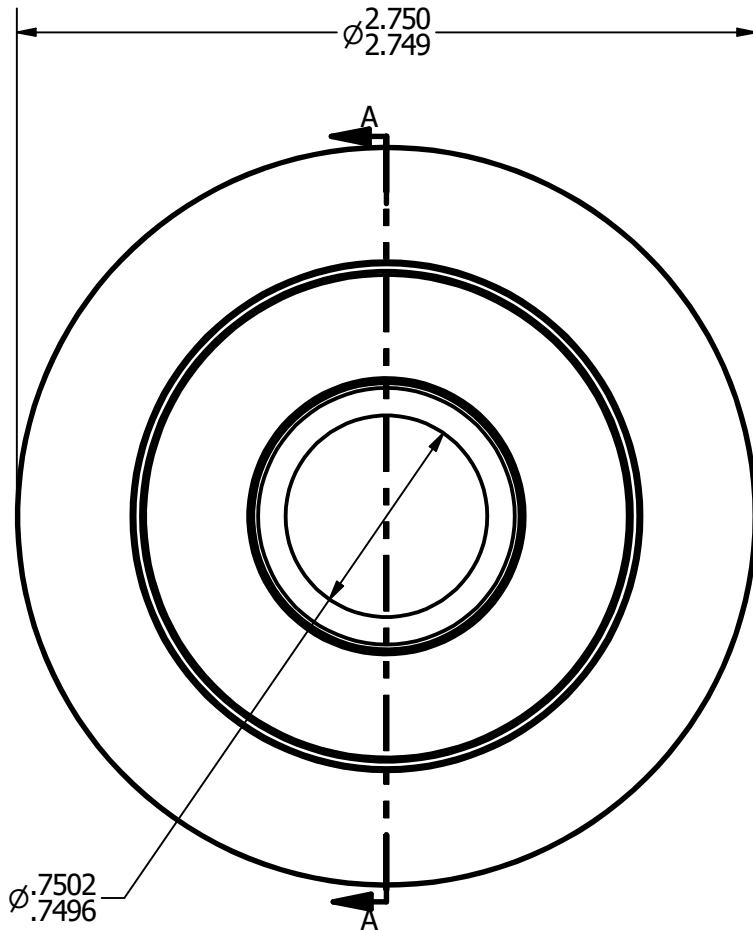


NOTES:

1. BEARING IS PACKED WITH GREASE
2. ALL EXPOSED SURFACES ARE BLACK OXIDED



RADIAL BASIC DYNAMIC RATING (POUNDS) 11720

MAXIMUM STATIC CAPACITY (POUNDS) 32900

MATERIAL NOTES:

- OUTER - BEARING STEEL, HEAT TREATED**
- STUD - BEARING STEEL, ZONE HARDENED**
- NEEDLE - BEARING STEEL, HEAT TREATED**
- WASHER - COLD ROLLED STEEL, HEAT TREATED**
- SEAL - SYNTHETIC**

CUSTOMER PART#

.XX = ± .01
 .XXX = ± .005
 .XXXX = ± .0005
 ANGLES = ± 1'
 INCH [METRIC]

CARTER MANUFACTURING IS NOT RESPONSIBLE FOR TYPOGRAPHICAL ERRORS

CARTER MANUFACTURING CO., INC.

GRAND HAVEN, MICHIGAN 49417

REVISION

PART NAME: **ASSEMBLY**

SHEET 1 OF 2

CHANGE NOTE:

A

REV. BY

AUTHOR. BY

DRAWN BY

CHK'D BY

SALES

MATERIAL

JGV

JAF

JGV

KPR

NOTED

DATE

DATE

DATE

DATE

DRAWING NO.

8/7/2006

8/7/2006

8/7/2006

8/3/2006

CYNB-88-S