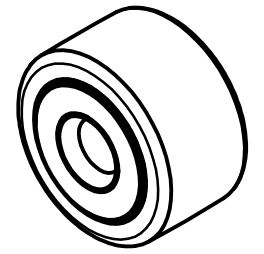
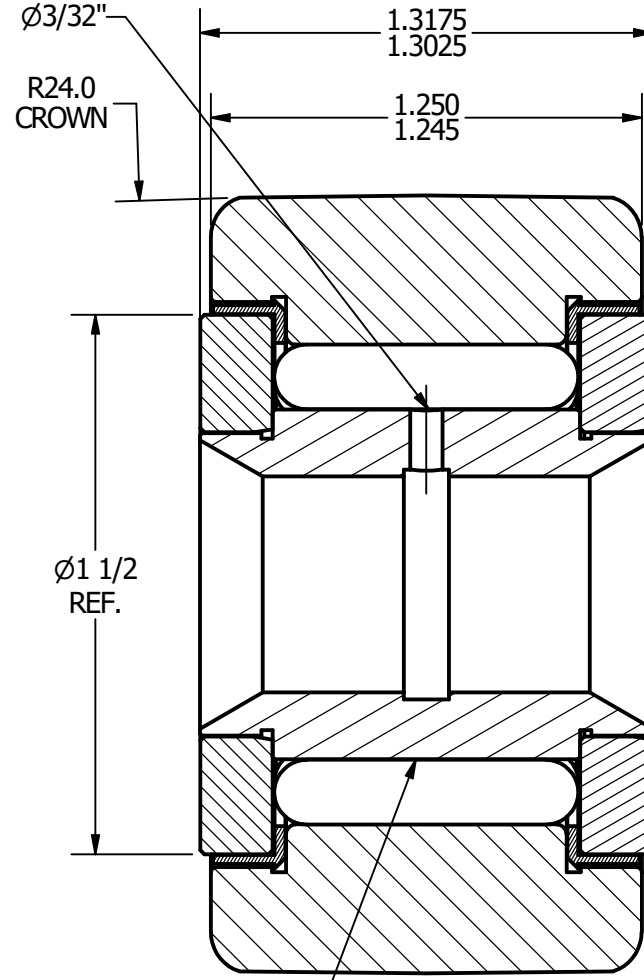
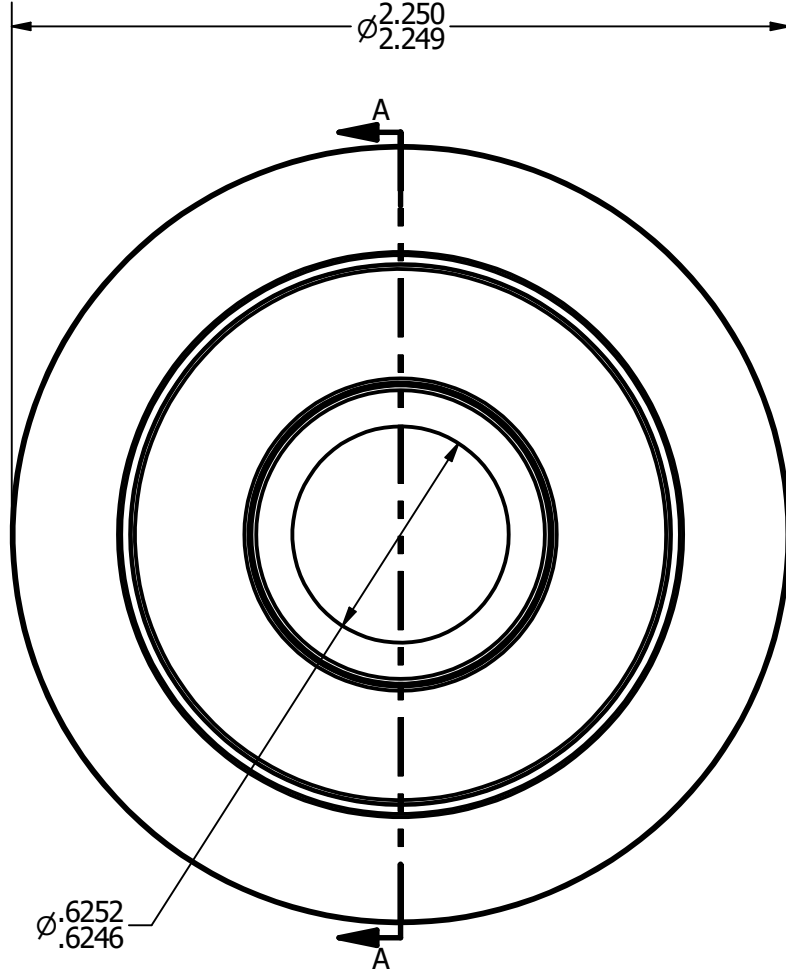


NOTES:

- 1. BEARING IS PACKED WITH GREASE
- 2. ALL EXPOSED SURFACES ARE BLACK OXIDED



ZONE HARDENED

RADIAL BASIC DYNAMIC RATING (POUNDS) 8090

MAXIMUM STATIC CAPACITY (POUNDS) 21140

MATERIAL NOTES:

OUTER - BEARING STEEL, HEAT TREATED
STUD - BEARING STEEL, ZONE HARDENED
NEEDLE - BEARING STEEL, HEAT TREATED
WASHER - COLD ROLLED STEEL, HEAT TREATED
SEAL - SYNTHETIC

CUSTOMER PART#	.XX = ± .01 .XXX = ± .005 .XXXX = ± .0005 ANGLES = ± 1' INCH [METRIC]
CHANGE NOTE:	

CARTER MANUFACTURING IS NOT RESPONSIBLE FOR TYPOGRAPHICAL ERRORS

REVISION	
A	
REV. BY	DATE
JAF	8/7/2006

CARTER MANUFACTURING CO., INC.
 GRAND HAVEN, MICHIGAN 49417

PART NAME: ASSEMBLY			SHEET 1 OF 2		
AUTHOR. BY	DRAWN BY	CHK'D BY	SALES	MATERIAL	
JGV	JAF	JGV	KPR	NOTED	
REV. BY	DATE	DATE	DATE	DRAWING NO.	
JAF	8/7/2006	8/7/2006	8/4/2006	CYNB-72-S	