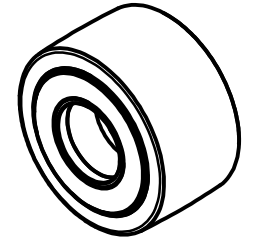
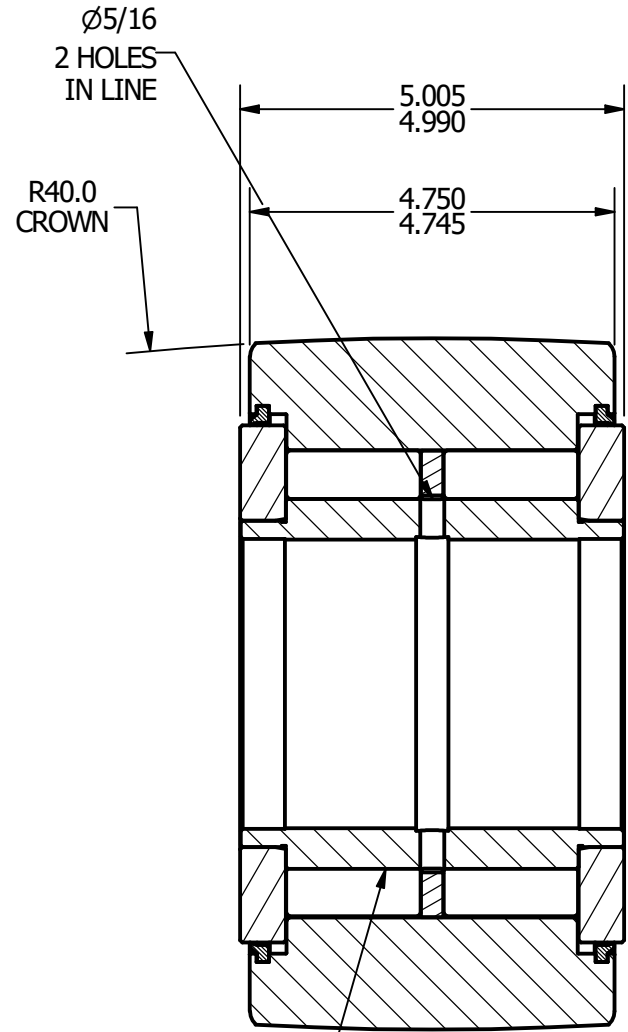
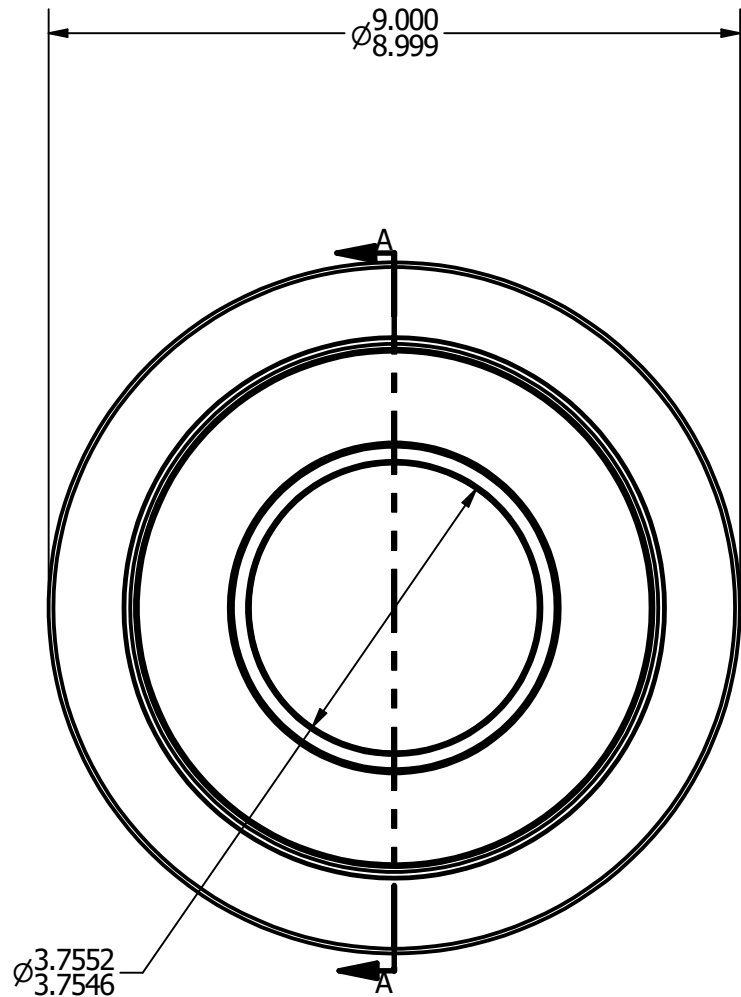


NOTES:

- 1. BEARING IS PACKED WITH GREASE
- 2. ALL EXPOSED SURFACES ARE BLACK OXIDED



RADIAL BASIC DYNAMIC RATING (POUNDS) 113,260

MAXIMUM STATIC CAPACITY (POUNDS) 366,850

MATERIAL NOTES:

- OUTER - BEARING STEEL, HEAT TREATED**
- STUD - BEARING STEEL, ZONE HARDENED**
- NEEDLE - BEARING STEEL, HEAT TREATED**
- SPACER - BEARING STEEL, HEAT TREATED**
- WASHER - COLD ROLLED STEEL, HEAT TREATED**
- SEAL - SYNTHETIC**

CUSTOMER PART#

.XX = ± .01
 .XXX = ± .005
 .XXXX = ± .0005
 ANGLES = ± 1'
 INCH [METRIC]

CARTER MANUFACTURING IS NOT RESPONSIBLE FOR TYPOGRAPHICAL ERRORS

CARTER MANUFACTURING CO., INC.

GRAND HAVEN, MICHIGAN 49417

REVISION

PART NAME: **ASSEMBLY**

SHEET 1 OF 2

CHANGE NOTE:

A

AUTHOR. BY

DRAWN BY

CHK'D BY

SALES

MATERIAL

REV. BY

DATE

DATE

DATE

DATE

DRAWING NO.

JAF

8/2/2006

CYNB-288-S