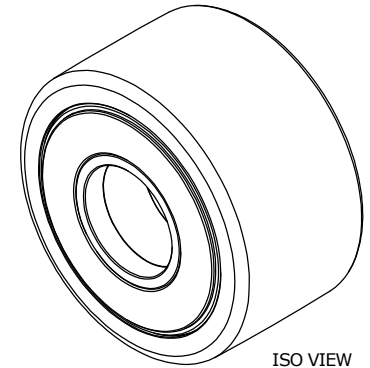
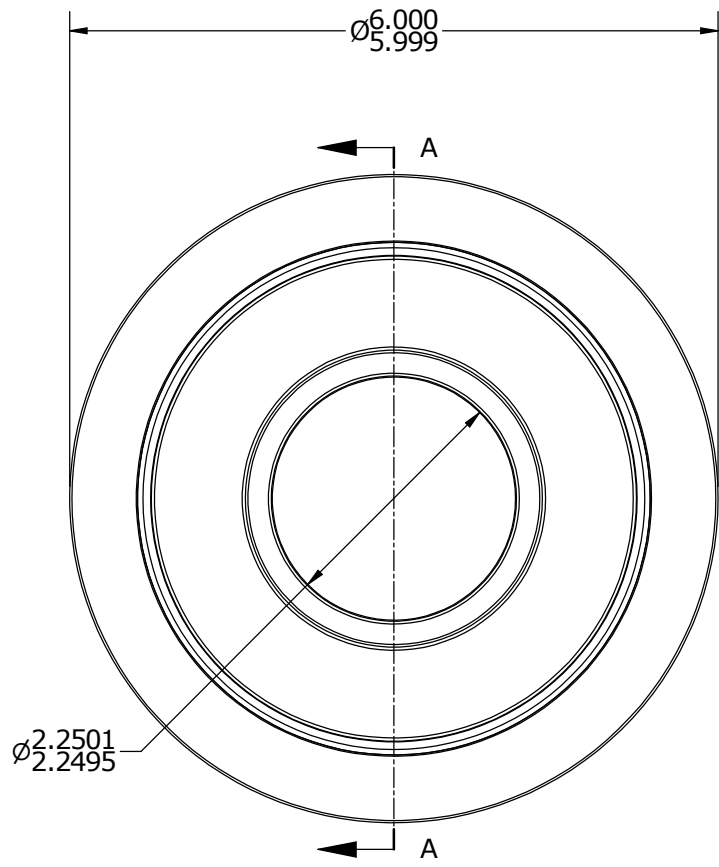


LOAD RATINGS	
RATING	Lbs
RADIAL BASIC DYNAMIC	60,000
MAXIMUM STATIC CAPACITY	160,900

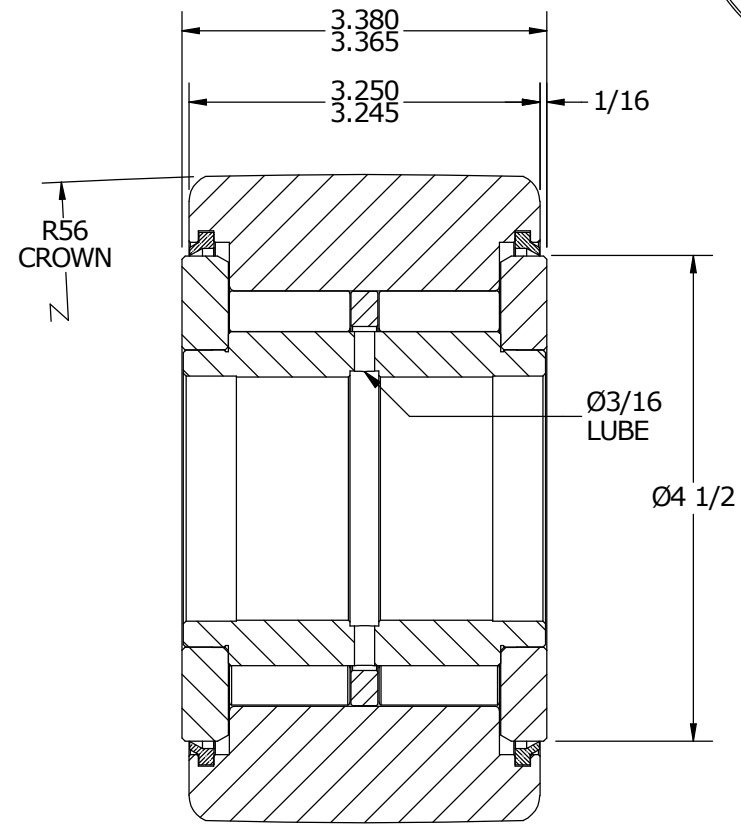
- NOTES:
1. BEARING IS PACKED WITH NLGI GRADE 2, LITHIUM BASED GREASE (UNLESS OTHERWISE SPECIFIED)
 2. ALL EXPOSED SURFACES HAVE BLACK OXIDE



ISO VIEW
SCALE .28125 : 1



END VIEW
SCALE .5625 : 1



SECTION A-A
SCALE .5625 : 1

MATERIAL NOTES:

- OUTER RACE - BEARING STEEL, HEAT TREATED
- INNER RACE - BEARING STEEL, HEAT TREATED
- NEEDLE ROLLERS - BEARING STEEL, HEAT TREATED
- SPACER - BEARING STEEL, HEAT TREATED
- WASHERS - COLD ROLLED STEEL, HEAT TREATED
- SEALS - SYNTHETIC

CUSTOMER PART#	XX = ± .01 XXX = ± .005 XXXX = ± .0005 ANGLES = ± 1' INCH [METRIC] FRACTION = ± 1/32
<i>ENGINEERING CHANGE ORDER NOTE</i>	

CARTER MANUFACTURING IS NOT RESPONSIBLE FOR TYPOGRAPHICAL ERRORS

CARTER MANUFACTURING CO., INC.
GRAND HAVEN, MICHIGAN 49417

REVISION		PART NAME: ASSEMBLY			
REVISION BY	DATE	DRAWN BY	CHK'D BY	SALES	MATERIAL
B	HG	JAF	SGW	KPR	NOTED
MD	10/27/2015	8/3/2006	10/27/2015	8/8/2001	1 OF 2