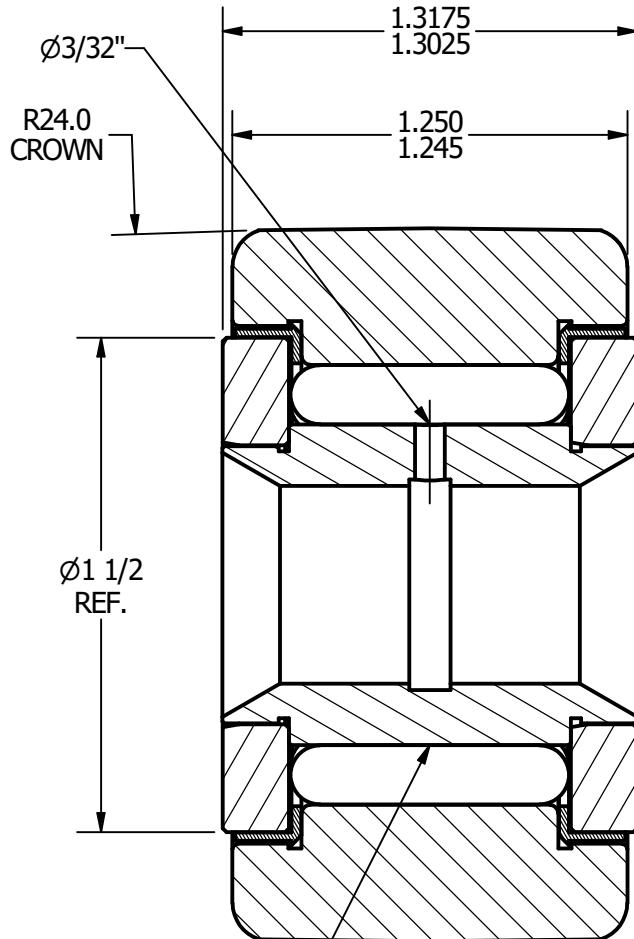
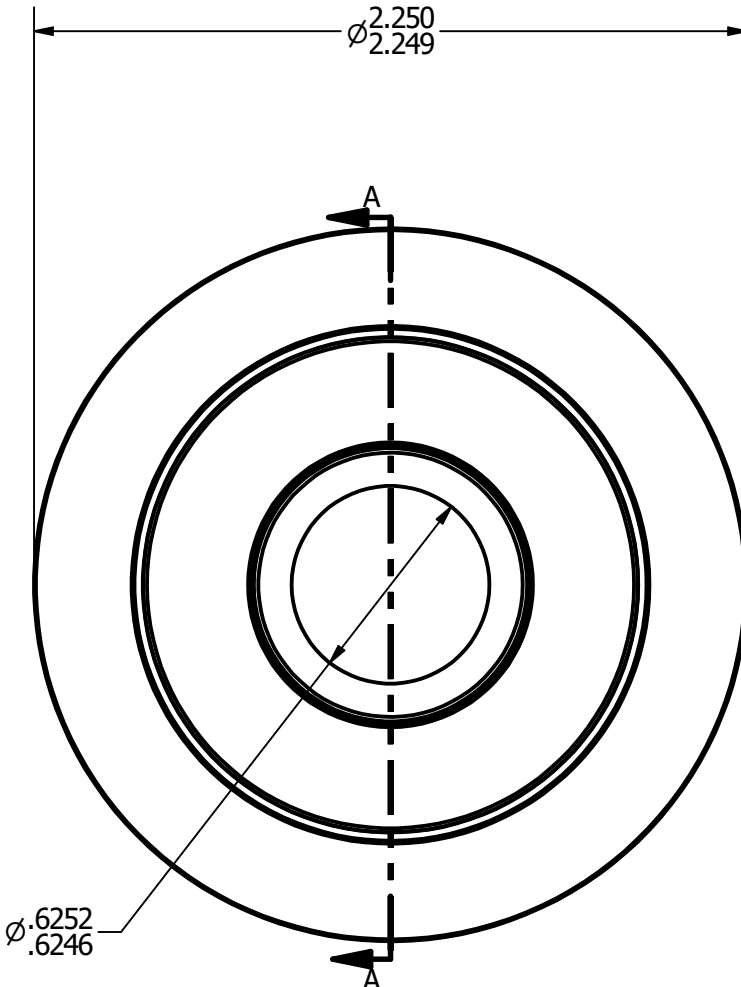
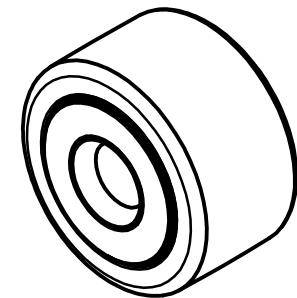


NOTES:
1. BEARING IS PACKED WITH LUBRIPLATE SFL-2 GREASE



RADIAL BASIC DYNAMIC RATING (POUNDS) 6472

MAXIMUM STATIC CAPACITY (POUNDS) 16912

MATERIAL NOTES:

- OUTER - 440C STAINLESS STEEL, HEAT TREATED**
- STUD - 440C STAINLESS STEEL, ZONE HARDENED**
- NEEDLE - 440C STAINLESS STEEL, HEAT TREATED**
- WASHER - 440C STAINLESS STEEL, HEAT TREATED**
- SEAL - SYNTHETIC**

CUSTOMER PART#

.XX = ± .01
 .XXX = ± .005
 .XXXX = ± .0005
 ANGLES = ± 1'
 INCH [METRIC]

CARTER MANUFACTURING IS NOT RESPONSIBLE FOR TYPOGRAPHICAL ERRORS

CARTER MANUFACTURING CO., INC.

GRAND HAVEN, MICHIGAN 49417

REVISION

PART NAME: ASSEMBLY

SHEET 1 OF 2

A

AUTHOR. BY

DRAWN BY

CHK'D BY

SALES

MATERIAL

JGV

JAF

JGV

KPR

NOTED

REV. BY

DATE

DATE

DATE

DATE

DRAWING NO.

JAF

8/8/2006

8/8/2006

8/8/2006

8/7/2006

CSY-72-S

CHANGE NOTE: